

Operation & Maintenance Manual

HYDRAULIC
EXCAVATOR

PC138US -8
PC138USLC-8

SERIAL NUMBERS PC138US- 26659 and up
PC138USLC- 26659

ecot3

⚠ WARNING

Unsafe use of this machine may cause serious injury or death. Operators and maintenance personnel must read this manual before operating or maintaining this machine. This manual should be kept near the machine for reference and periodically reviewed by all personnel who will come into contact with it.

NOTICE

Komatsu has Operation & Maintenance Manuals written in some other languages. If a foreign language manual is necessary, contact your local distributor for availability.

KOMATSU

FOREWORD

CALIFORNIA

Proposition 65 Warning

Mercury and mercury compounds are known to the State of California to cause developmental problems. Mercury in this machine is sealed in non-removable backlight bulbs in the monitor display and/or HID lamps. There is no risk of exposure unless the lamps are broken. However, the monitor and lamps must be reused, recycled or properly disposed of in accordance with Local, State and Federal Laws at the end of their useful lives.

CALIFORNIA

Proposition 65 Warning

Diesel engine exhaust and some of its constituents are known to the State of California to cause cancer, birth defects, and other reproductive harm.

CALIFORNIA

Proposition 65 Warning

Battery posts, terminals and related accessories contain lead and lead compounds, chemicals known to the State of California to cause cancer and birth defects or other reproductive harm.
Wash hands after handling.

BEFORE READING THIS MANUAL

This manual gives details of the operation and methods of inspection and maintenance for this machine that must be obeyed in order to use the machine safely. Most accidents are caused by the failure to follow fundamental safety rules for the operation and maintenance of machines.

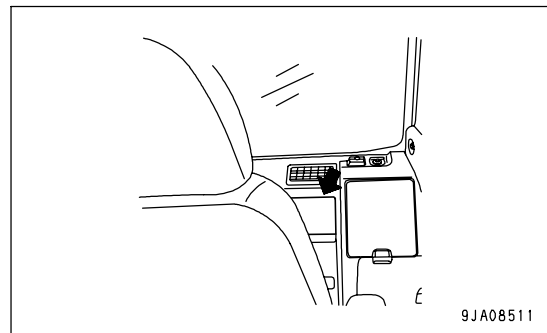
Read, understand and follow all precautions and warnings in this manual and on the machine before performing operation and maintenance. Failure to do so may result in serious injury or death.

Komatsu cannot predict every circumstance that might involve a potential hazard when the machine is used. Therefore, the safety messages in this manual and on the machine may not include all possible safety precautions. If you perform any operation, inspection, or maintenance under conditions that are not described in this manual, understand that it is your responsibility to take the necessary precautions to ensure safety. In no event should you or others engage in the prohibited uses or actions described in this manual. Improper operation and maintenance of the machine can be hazardous and could result in serious injury or death.

If you sell the machine, be sure to give this manual to the new owner together with the machine.

Always keep this Operation and Maintenance Manual in the location shown on the right so that all relevant personnel can read it at any time.

Storage location for the Operation and Maintenance Manual:
Magazine box at rear of cab



If this manual is lost or damaged, contact and tell your distributor about the machine model name and the serial No. immediately to arrange for its replacement. For details regarding the machine model name and the serial No., see the machine serial No. plate. In order to arrange the proper Operation and Maintenance Manual, you will need to provide the machine model name and the serial No. to your Komatsu distributor.

This manual uses the International System of Units (SI) for units of measurement. For reference, units that have been used in the past are given in { }.

The explanations, values, and illustrations in this manual have been prepared based on the latest information available as of the date of its publication. Continuing improvements in the design of this machine may lead to additional changes that are not reflected in this manual. Consult Komatsu or your Komatsu distributor for the latest available information concerning your machine or with questions regarding information contained in this manual.

- The numbers in circles in the illustrations correspond to the numbers in () in the text.

(For example: ① → (1))




Komatsu delivers machines that comply with all applicable regulations and standards of the country to which it has been shipped. If this machine has been purchased in another country, it may lack certain safety devices and specifications that are necessary for use in your country. If there is any question about whether your product complies with the applicable standards and regulations of your country, consult Komatsu or your Komatsu distributor before operating the machine.

SAFETY INFORMATION

To enable you to use the machine safely, and to prevent injury or death to operators, service personnel or bystanders, the precautions and warnings included in this manual and the safety signs attached to the machine must always be followed.

To identify important safety messages in the manual and on the machine labels, the following signal words are used.

The "Safety Alert Symbol" identifies important safety messages on machines, in manuals, and elsewhere. When you see this symbol, be alert to the risk of personal injury or death. Follow the instructions in the safety message.

- | | |
|--|--|
|  DANGER | This signal word indicates an imminently hazardous situation which, if not avoided, will result in death or serious injury. |
|  WARNING | This signal word indicates a potentially hazardous situation which, if not avoided, could result in death or serious injury. |
|  CAUTION | This signal word indicates a potentially hazardous situation exists which, if not avoided, may result in minor or moderate injury. |

The following signal words are used to alert you to information that must be followed to avoid damage to the machine.

- | | |
|---------------|--|
| NOTICE | This precaution is given where the machine may be damaged or the service life reduced if the precaution is not followed. |
| REMARK | This word is used for information that is useful to know. |

INTRODUCTION

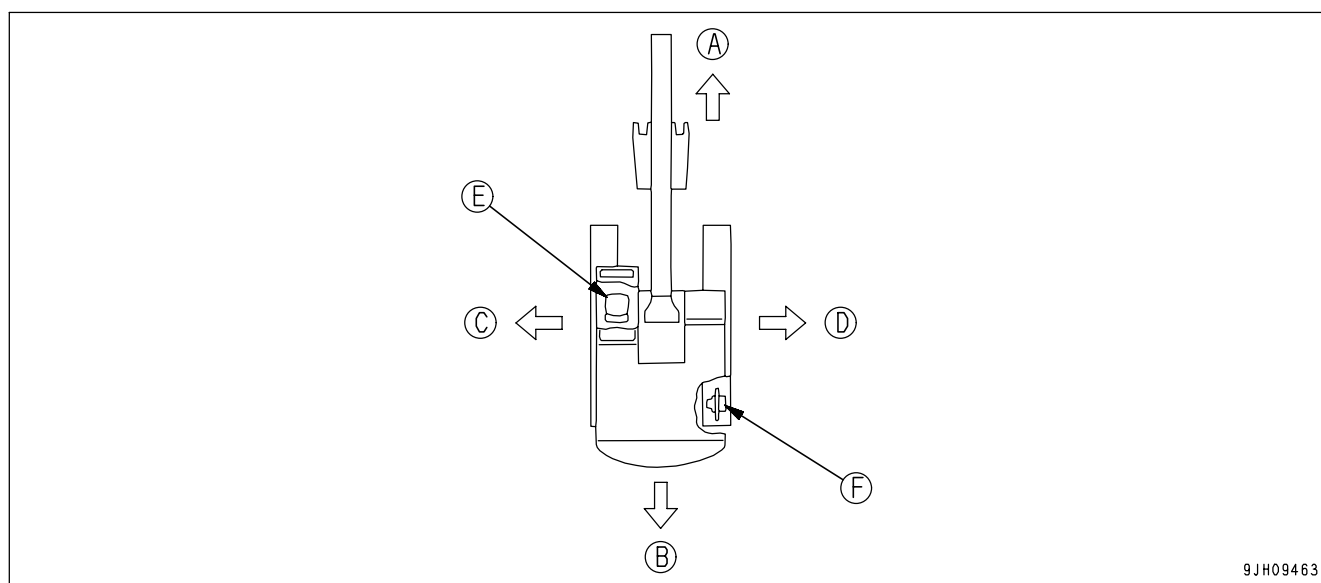
USE OF MACHINE

This Komatsu machine is designed to be used mainly for the following work:

- Digging work
- Leveling work
- Ditching work
- Loading work
- Demolition work

See the section "RECOMMENDED APPLICATIONS (PAGE 3-172)" for further details.

DIRECTIONS OF MACHINE



- (A) Front
- (B) Rear
- (C) Left
- (D) Right

- (E) Operator's seat
- (F) Sprocket

In this manual, the terms front, rear, left, and right refer to the travel direction as seen from the operator's seat when the operator's seat is facing the front and the sprocket is at the rear of the machine.

VISIBILITY FROM OPERATOR'S SEAT

This machine complies with the visibility standard (ISO 5006).

This machine maintains a close visibility of a height of 1.5 m (4 ft 11 in) at a point 1 m (3 ft 3 in) away from the outside surface of the machine, and a visibility for a circumference of 12 m (39 ft 4 in).

PROTECTIVE STRUCTURE

This machine is ROPS compliant to ISO12117-2:2008 when a ROPS plate is installed - see "LOCATION OF SAFETY LABELS (PAGE 2-6)" for location of ROPS plate.

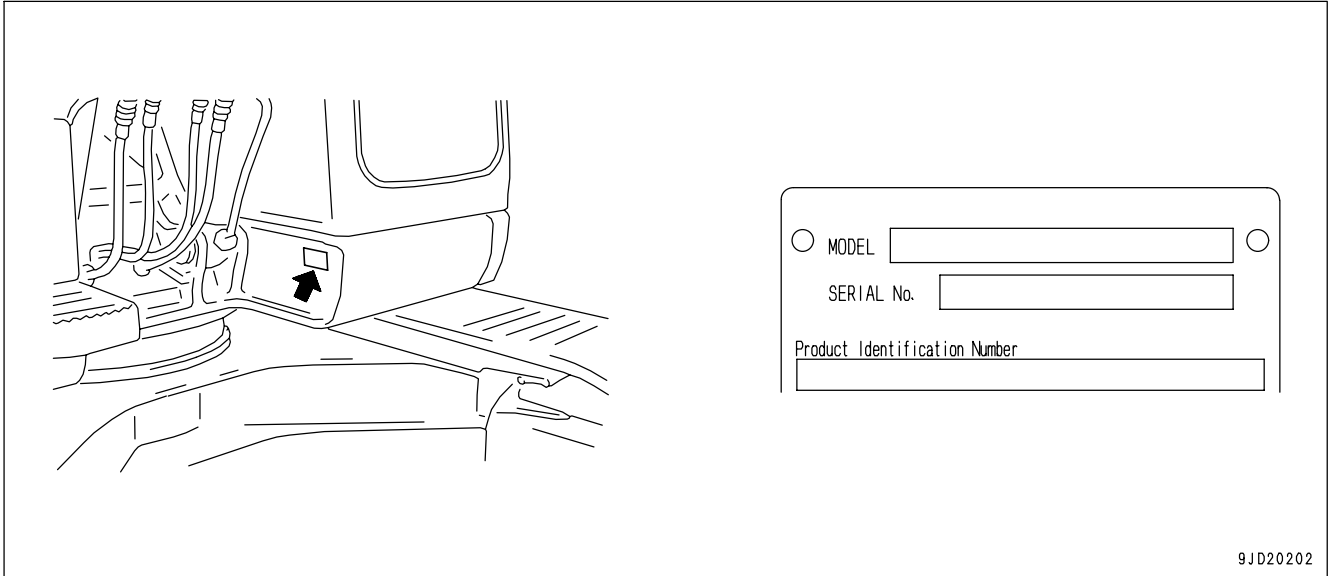
PRODUCT INFORMATION

When requesting service or ordering replacement parts, contact your Komatsu distributor of the following items.

PRODUCT IDENTIFICATION NUMBER (PIN)/MACHINE SERIAL NO. PLATE

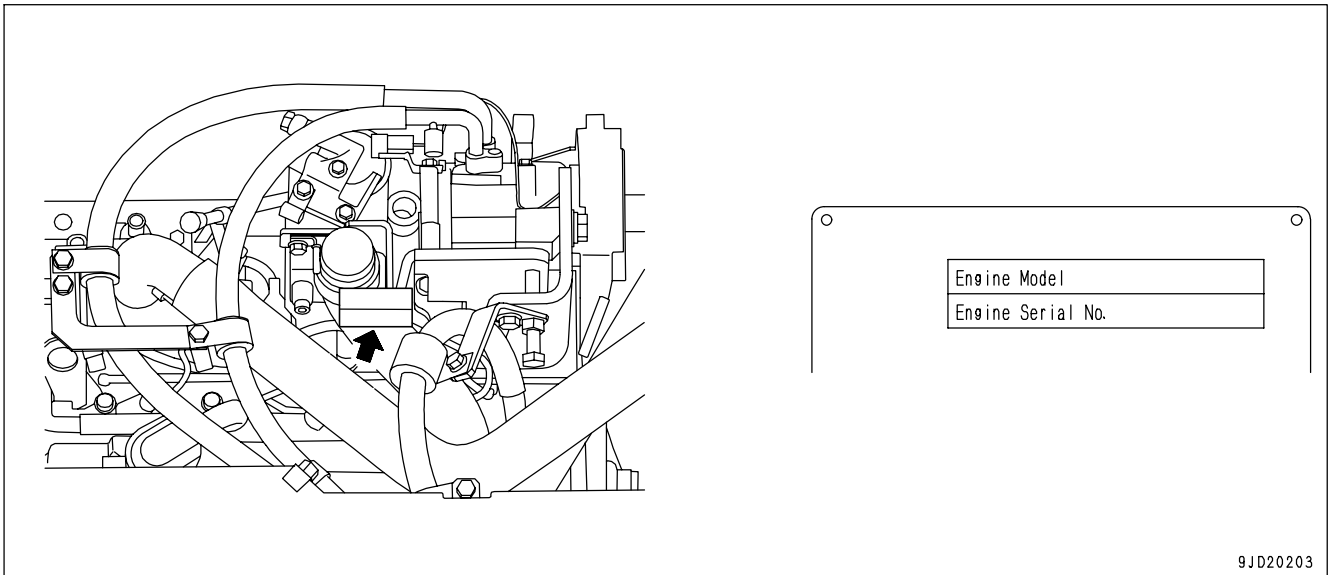
On the bottom right of the operator's cab

The design of the nameplate differs according to the territory.



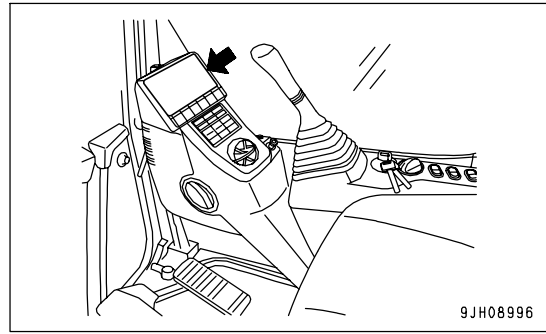
ENGINE SERIAL NUMBER PLATE

This is on the engine oil filler port fixing bracket.



SERVICE METER LOCATION

On top of the machine monitor



YOUR MACHINE SERIAL NUMBERS AND DISTRIBUTOR

Machine serial No.	
Engine serial No.	
Product identification number (PIN)	
Distributor name	
Address	----- ----- ----- -----
Service Personnel	-----
Phone/Fax	

CONTENTS

FOREWORD	1- 1
BEFORE READING THIS MANUAL	1- 2
SAFETY INFORMATION	1- 3
INTRODUCTION	1- 4
USE OF MACHINE	1- 4
DIRECTIONS OF MACHINE	1- 4
VISIBILITY FROM OPERATOR'S SEAT	1- 4
PROTECTIVE STRUCTURE	1- 4
PRODUCT INFORMATION	1- 5
PRODUCT IDENTIFICATION NUMBER (PIN)/MACHINE SERIAL NO. PLATE	1- 5
ENGINE SERIAL NUMBER PLATE	1- 5
SERVICE METER LOCATION	1- 6
YOUR MACHINE SERIAL NUMBERS AND DISTRIBUTOR	1- 6
SAFETY	2- 1
SAFETY	2- 2
SAFETY LABELS	2- 5
LOCATION OF SAFETY LABELS	2- 6
SAFETY LABELS	2- 7
GENERAL PRECAUTIONS COMMON TO OPERATION AND MAINTENANCE	2- 15
PRECAUTIONS BEFORE STARTING OPERATION	2- 15
PREPARATIONS FOR SAFE OPERATION	2- 15
FIRE PREVENTION	2- 17
PRECAUTIONS WHEN GETTING ON OR OFF MACHINE	2- 18
DO NOT GET CAUGHT IN WORK EQUIPMENT	2- 20
PRECAUTIONS RELATED TO PROTECTIVE STRUCTURES	2- 20
PROTECTION AGAINST FALLING, FLYING, INTRUDING OBJECTS	2- 21
UNAUTHORIZED MODIFICATION	2- 21
PRECAUTIONS RELATED TO ATTACHMENTS AND OPTIONS	2- 21
PRECAUTIONS RELATED TO CAB GLASS	2- 21
PRECAUTIONS WHEN RUNNING ENGINE INSIDE BUILDING	2- 22
PRECAUTIONS FOR OPERATION	2- 23
PRECAUTIONS FOR JOBSITE	2- 23
STARTING ENGINE	2- 25
OPERATION	2- 27
TRANSPORTATION	2- 35
TOWING	2- 36
LIFTING OBJECTS WITH BUCKET	2- 37
PRECAUTIONS FOR MAINTENANCE	2- 38
PRECAUTIONS BEFORE STARTING INSPECTION AND MAINTENANCE	2- 38
PRECAUTIONS FOR INSPECTION AND MAINTENANCE	2- 42
OPERATION	3- 1
MACHINE VIEW ILLUSTRATIONS	3- 2
OVERALL MACHINE VIEW	3- 2
CONTROLS AND GAUGES	3- 3
DETAILED CONTROLS AND GAUGES	3- 5
MONITORING SYSTEM	3- 5
SWITCHES	3- 68
CONTROL LEVERS AND PEDALS	3- 73
SUN ROOF	3- 77

WINDSHIELD	3- 78
SLIDING DOOR	3- 84
EMERGENCY ESCAPE HAMMER	3- 85
CAP WITH LOCK	3- 86
ENGINE HOOD	3- 87
CAB REAR COVER	3- 88
PUMP ROOM DOOR, BATTERY ROOM DOOR	3- 89
DOOR AT FRONT OF TOOL BOX	3- 90
AIR CONDITIONER CONTROLS	3- 91
RADIO	3-104
FUSE	3-109
FUSIBLE LINK	3-110
AUXILIARY ELECTRIC POWER	3-111
CONTROLLERS	3-112
OPERATION MANUAL STORAGE	3-113
TOOL BOX	3-113
GREASE PUMP HOLDER	3-113
CUP HOLDER	3-113
ASHTRAY	3-114
FIRE EXTINGUISHER	3-114
MACHINE OPERATIONS AND CONTROLS	3-115
BEFORE STARTING ENGINE	3-115
STARTING ENGINE	3-137
AFTER STARTING ENGINE	3-142
STOPPING THE ENGINE	3-153
MACHINE OPERATION	3-154
STEERING THE MACHINE	3-158
SWINGING	3-160
WORK EQUIPMENT CONTROLS AND OPERATIONS	3-161
WORKING MODE	3-163
PROHIBITED OPERATIONS	3-164
GENERAL OPERATION INFORMATION	3-166
TRAVELING ON SLOPES	3-169
ESCAPE FROM MUD	3-171
RECOMMENDED APPLICATIONS	3-172
BUCKET REPLACEMENT AND INVERSION	3-174
PARKING MACHINE	3-177
MACHINE INSPECTION AFTER DAILY WORK	3-178
LOCKING	3-179
ROAD LINERS	3-180
TRANSPORTATION	3-182
TRANSPORTATION PROCEDURE	3-182
LOADING AND UNLOADING WITH TRAILER	3-183
LIFTING MACHINE	3-190
COLD WEATHER OPERATION	3-192
COLD WEATHER OPERATION INFORMATION	3-192
AFTER DAILY WORK COMPLETION	3-194
AFTER COLD WEATHER SEASON	3-194
LONG TERM STORAGE	3-195
BEFORE STORAGE	3-195

DURING STORAGE	3-196
AFTER STORAGE	3-196
STARTING MACHINE AFTER LONG-TERM STORAGE	3-196
TRoubles AND ACTIONS	3-197
RUNNING OUT OF FUEL	3-197
PHENOMENA THAT ARE NOT FAILURES	3-198
TOWING THE MACHINE	3-199
LIGHTWEIGHT TOWING HOOK	3-200
SEVERE JOB CONDITION	3-200
DISCHARGED BATTERY	3-201
OTHER TROUBLE	3-206
MAINTENANCE	4- 1
MAINTENANCE INFORMATION	4- 2
OUTLINE OF SERVICE	4- 4
HANDLING OIL, FUEL, COOLANT, AND PERFORMING OIL CLINIC	4- 4
ELECTRIC SYSTEM MAINTENANCE	4- 7
WEAR PARTS	4- 8
WEAR PARTS LIST	4- 8
RECOMMENDED FUEL, COOLANT, AND LUBRICANT	4- 9
USE OF FUEL, COOLANT AND LUBRICANTS ACCORDING TO AMBIENT TEMPERATURE	4- 10
RECOMMENDED BRANDS, RECOMMENDED QUALITY FOR PRODUCTS OTHER THAN KOMATSU GENUINE OIL	4- 11
TIGHTENING TORQUE SPECIFICATIONS	4- 12
TIGHTENING TORQUE LIST	4- 12
SAFETY CRITICAL PARTS	4- 13
SAFETY CRITICAL PARTS LIST	4- 13
MAINTENANCE SCHEDULE	4- 15
MAINTENANCE SCHEDULE CHART	4- 15
MAINTENANCE INTERVAL FOR HYDRAULIC BREAKER	4- 17
MAINTENANCE PROCEDURE	4- 18
WHEN REQUIRED	4- 18
CHECK BEFORE STARTING	4- 48
EVERY 100 HOURS MAINTENANCE	4- 49
EVERY 250 HOURS MAINTENANCE	4- 51
EVERY 500 HOURS MAINTENANCE	4- 59
EVERY 1000 HOURS MAINTENANCE	4- 68
EVERY 2000 HOURS MAINTENANCE	4- 74
EVERY 4000 HOURS MAINTENANCE	4- 78
EVERY 5000 HOURS MAINTENANCE	4- 80
EVERY 8000 HOURS MAINTENANCE	4- 82
SPECIFICATIONS	5- 1
SPECIFICATIONS	5- 2
ATTACHMENTS AND OPTIONS	6- 1
ATTACHMENTS AND OPTIONS - GENERAL INFORMATION	6- 2
SAFETY FIRST	6- 2
ATTACHMENT INSTALLATION	6- 3
BUCKET WITH HOOK	6- 4
HOOK CONDITION	6- 4
PROHIBITED OPERATIONS	6- 4
MACHINE READY FOR ATTACHMENT	6- 5

LOCATIONS -----	6- 5
HYDRAULIC CIRCUIT -----	6- 16
ATTACHMENT REMOVAL AND INSTALLATION -----	6- 17
ATTACHMENT OPERATIONS -----	6- 21
LONG TERM STORAGE -----	6- 30
SPECIFICATIONS -----	6- 30
HANDLING DOUBLE OFFSET BOOM -----	6- 31
MACHINE VIEW ILLUSTRATIONS -----	6- 31
DETAILED CONTROLS -----	6- 33
MACHINE OPERATIONS AND CONTROLS -----	6- 37
MAINTENANCE -----	6- 39
SPECIFICATIONS -----	6- 42
ATTACHMENT GUIDE -----	6- 43
ATTACHMENT COMBINATIONS -----	6- 44
TRACK SHOES SELECTION -----	6- 45
RECOMMENDED ATTACHMENT OPERATIONS -----	6- 46
HYDRAULIC BREAKER -----	6- 46
HANDLING MACHINES EQUIPPED WITH KOMTRAX -----	6- 51
BASIC PRECAUTIONS -----	6- 51
INDEX -----	7- 1

SAFETY

WARNING

Please read and make sure that you fully understand the precautions described in this manual and the safety labels on the machine. When operating or servicing the machine, always follow these precautions strictly.

SAFETY

SAFETY LABELS	2- 5
LOCATION OF SAFETY LABELS	2- 6
SAFETY LABELS	2- 7
GENERAL PRECAUTIONS COMMON TO OPERATION AND MAINTENANCE	2- 15
PRECAUTIONS BEFORE STARTING OPERATION	2- 15
ENSURING SAFE OPERATION	2- 15
UNDERSTANDING THE MACHINE	2- 15
PREPARATIONS FOR SAFE OPERATION	2- 15
PRECAUTIONS REGARDING SAFETY-RELATED EQUIPMENT	2- 15
INSPECTING MACHINE	2- 15
WEAR WELL-FITTING CLOTHES AND PROTECTIVE EQUIPMENT	2- 15
KEEP MACHINE CLEAN	2- 16
PRECAUTIONS INSIDE OPERATOR'S COMPARTMENT	2- 16
PROVIDE FIRE EXTINGUISHER AND FIRST AID KIT	2- 16
IF ANY PROBLEM IS FOUND	2- 16
FIRE PREVENTION	2- 17
ACTION IF FIRE OCCURS	2- 17
PRECAUTIONS TO PREVENT FIRE	2- 17
PRECAUTIONS WHEN GETTING ON OR OFF MACHINE	2- 18
USE HANDRAILS AND STEPS WHEN GETTING ON OR OFF MACHINE	2- 18
NO JUMPING ON OR OFF MACHINE	2- 19
NO PEOPLE ON ATTACHMENTS	2- 19
PRECAUTIONS WHEN STANDING UP FROM OPERATOR'S SEAT	2- 19
PRECAUTIONS WHEN LEAVING MACHINE	2- 19
EMERGENCY EXIT FROM OPERATOR'S CAB	2- 19
DO NOT GET CAUGHT IN WORK EQUIPMENT	2- 20
PRECAUTIONS RELATED TO PROTECTIVE STRUCTURES	2- 20
PROTECTION AGAINST FALLING, FLYING, INTRUDING OBJECTS	2- 21
UNAUTHORIZED MODIFICATION	2- 21
PRECAUTIONS RELATED TO ATTACHMENTS AND OPTIONS	2- 21
PRECAUTIONS RELATED TO CAB GLASS	2- 21
PRECAUTIONS WHEN RUNNING ENGINE INSIDE BUILDING	2- 22

PRECAUTIONS FOR OPERATION	2- 23
PRECAUTIONS FOR JOBSITE	2- 23
INVESTIGATE AND CONFIRM JOBSITE CONDITIONS	2- 23
WORKING ON LOOSE GROUND	2- 23
DO NOT GO CLOSE TO HIGH-VOLTAGE CABLES	2- 24
ENSURE GOOD VISIBILITY	2- 24
CHECKING SIGNS AND SIGNALMAN'S SIGNALS	2- 25
BEWARE OF ASBESTOS DUST	2- 25
STARTING ENGINE	2- 25
USE WARNING TAGS	2- 25
INSPECTION AND MAINTENANCE BEFORE STARTING ENGINE	2- 26
PRECAUTIONS WHEN STARTING ENGINE	2- 26
PRECAUTIONS IN COLD AREAS	2- 26
STARTING WITH BOOSTER CABLES	2- 27
OPERATION	2- 27
CHECKS BEFORE OPERATION	2- 27
PRECAUTIONS WHEN TRAVELING IN FORWARD OR REVERSE AND SWINGING	2- 28
PRECAUTIONS WHEN TRAVELING	2- 29
TRAVELING ON SLOPES	2- 30
OPERATING ON SLOPES	2- 31
PROHIBITED OPERATIONS	2- 31
TRAVELING ON SNOW-COVERED OR FROZEN SURFACES	2- 33
PARKING MACHINE	2- 34
TRANSPORTATION	2- 35
LOADING AND UNLOADING	2- 35
TOWING	2- 36
PRECAUTIONS WHEN TOWING	2- 36
LIFTING OBJECTS WITH BUCKET	2- 37
PRECAUTIONS FOR LIFTING OPERATIONS	2- 37

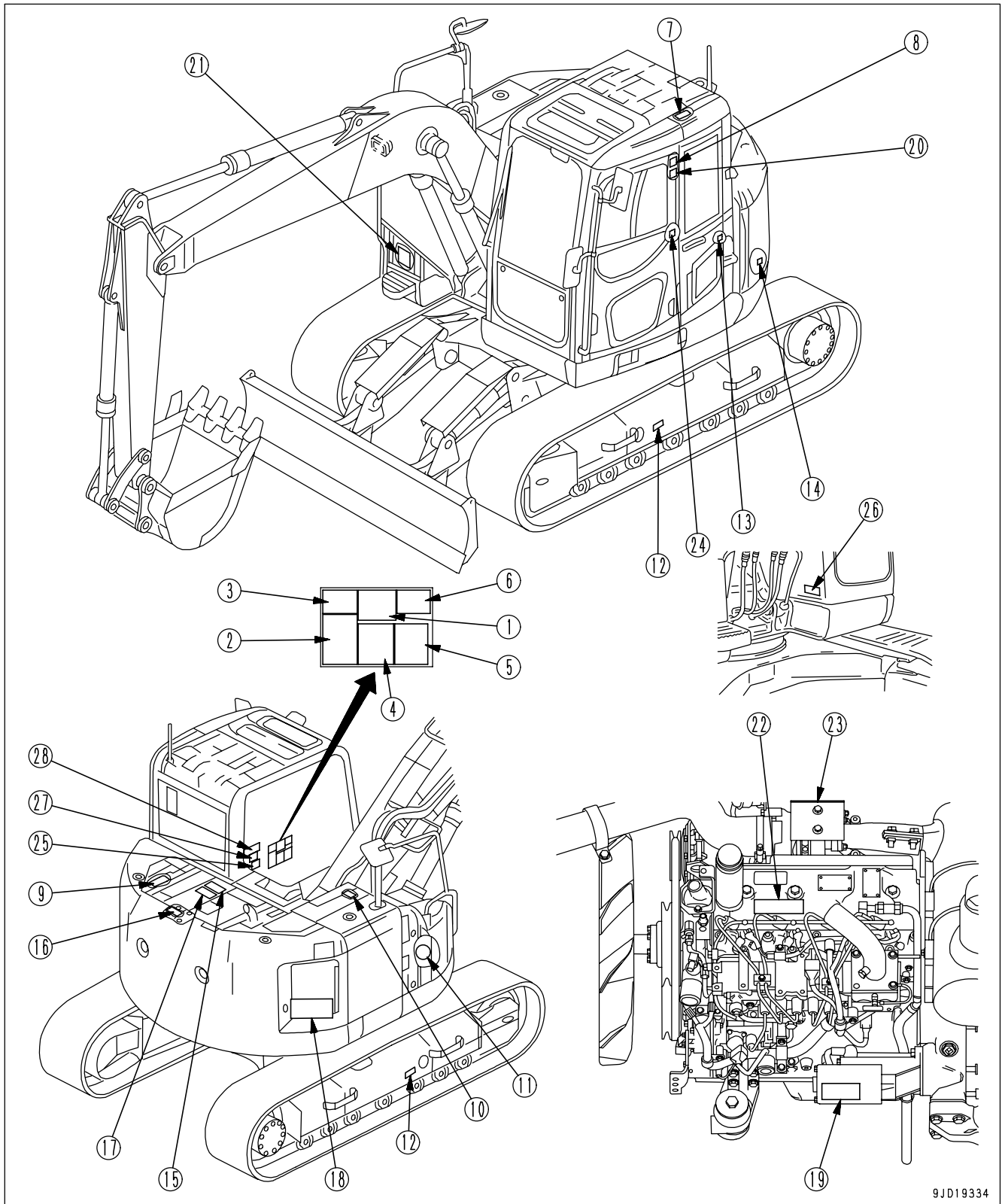
PRECAUTIONS FOR MAINTENANCE	2- 38
PRECAUTIONS BEFORE STARTING INSPECTION AND MAINTENANCE	2- 38
DISPLAY WARNING TAG DURING INSPECTION AND MAINTENANCE	2- 38
KEEP WORKPLACE CLEAN AND TIDY	2- 38
SELECT SUITABLE PLACE FOR INSPECTION AND MAINTENANCE	2- 38
ONLY AUTHORIZED PERSONNEL	2- 38
APPOINT LEADER WHEN WORKING WITH OTHERS	2- 38
STOP ENGINE BEFORE CARRYING OUT INSPECTION AND MAINTENANCE	2- 39
2 WORKERS FOR MAINTENANCE WHEN ENGINE IS RUNNING	2- 40
INSTALLING, REMOVING, OR STORING ATTACHMENTS	2- 40
PRECAUTIONS WHEN WORKING AT HIGH PLACES	2- 40
PRECAUTIONS WHEN WORKING UNDER MACHINE OR WORK EQUIPMENT	2- 41
PROPER TOOLS	2- 41
PRECAUTIONS FOR INSPECTION AND MAINTENANCE	2- 42
PRECAUTIONS WHEN WELDING	2- 42
HANDLING BATTERY	2- 42
PRECAUTIONS WHEN USING HAMMER	2- 43
PRECAUTIONS WITH HIGH-TEMPERATURE COOLANT	2- 43
PRECAUTIONS WITH HIGH-TEMPERATURE OIL	2- 43
PRECAUTIONS WITH HIGH-PRESSURE OIL	2- 44
PRECAUTIONS WITH HIGH-PRESSURE FUEL	2- 44
HANDLING HIGH-PRESSURE HOSES AND PIPING	2- 44
PRECAUTIONS FOR HIGH VOLTAGE	2- 45
NOISE	2- 45
PRECAUTIONS WITH HIGH-PRESSURE GREASE WHEN ADJUSTING TRACK TENSION	2- 45
DO NOT DISASSEMBLE RECOIL SPRING	2- 45
HANDLING ACCUMULATOR AND GAS SPRING	2- 46
PRECAUTIONS WITH COMPRESSED AIR	2- 46
MAINTENANCE OF AIR CONDITIONER	2- 46
DISPOSING OF WASTE MATERIALS	2- 46
MERCURY CONTAINING COMPONENT(S)	2- 46
METHOD OF SELECTING WINDOW WASHER FLUID	2- 46
PERIODIC REPLACEMENT OF SAFETY CRITICAL PARTS	2- 47

SAFETY LABELS

The following warning signs and safety labels are used on this machine.

- Be sure that you fully understand the correct position and content of labels.
- To ensure that the content of labels can be read properly, be sure that they are in the correct place and always keep them clean. When cleaning them, do not use organic solvents or gasoline. These may cause the labels to peel off.
- If the labels are damaged, lost, or cannot be read properly, replace them with new ones. For details of the part numbers for the labels, see this manual or the actual label, and place an order with Komatsu distributor.
- There are also other labels in addition to the warning signs and safety labels. Handle those labels in the same way.

LOCATION OF SAFETY LABELS



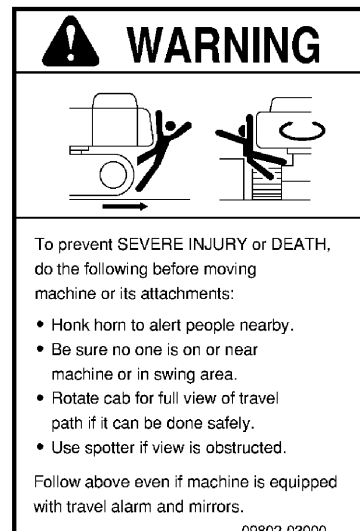
9JD19334

SAFETY LABELS

- (1) Caution before operating or maintaining machine
(09651-03001)



- (2) Caution before operating (09802-03000)

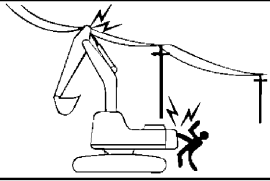


- (3) Caution for leaving operator's seat (09654-03001)



(4) Caution for going close to electric cables (09801-03001)

⚠ DANGER



Hazardous voltage hazard.
Serious injury or death can occur if machine or attachments are not kept safe distance away from electric lines.

	VOLTAGE	SAFE DISTANCE
LOW VOLTAGE	100V 200V	2m
	6.600V	2m
	22.000V	3m
SPECIAL HIGH VOLTAGE	66.000V	4m
	154.000V	5m
	187.000V	6m
	275.000V	7m
	500.000V	11m

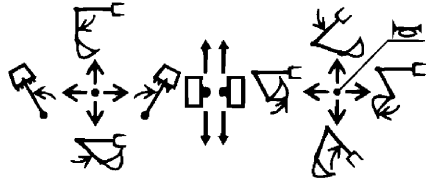
09801-03001

(5) Caution for operating pattern (09822-03000)
Standard machine

⚠ WARNING


In order to prevent an accident resulting in injury or death caused by error-operation, confirm the machine motion and indicated operating pattern, when operating machines. Pay attention to the circumference and operate slowly when confirming the machine motion.

ISO pattern




09822-03000


(6) Caution when opening or closing front window
(09839-03000)

 WARNING
<p>To open or close the front or ceiling window, never stand up from the operator's seat before throwing the lock lever to the LOCK position.</p> <p>Inadvertently touching any of the working equipment control levers might cause the machine to start moving all of a sudden, probably resulting in a serious injury.</p> <p style="text-align: right;">09839-03000</p>

(7) Caution when stowing front window (09803-03000)

 WARNING
<p>When raising window, lock it in place with lock pins on both sides.</p> <p>Falling window can cause injury.</p> <p style="text-align: right;">09803-03000</p>

(8) Caution when window comes out or breaks (20U-98-21910)

 WARNING
<p>To prevent SEVERE INJURY or DEATH, follow instructions below :</p> <ul style="list-style-type: none"> • To avoid contact with boom, DO NOT lean outside right side window. • If right side window is broken or becomes dislodged, have it repaired immediately. <p style="text-align: right;">20U-98-21910</p>

(9) Caution with high-temperature coolant (09668-03001)

 WARNING
<p>Hot water hazard.</p> <p>To prevent hot water from spurting out:</p> <ul style="list-style-type: none"> • Turn engine off. • Allow water to cool. • Slowly loosen cap to relieve pressure before removing. <p style="text-align: right;">09668-03001</p>

(10) Caution with high-temperature hydraulic oil (09653-03001)



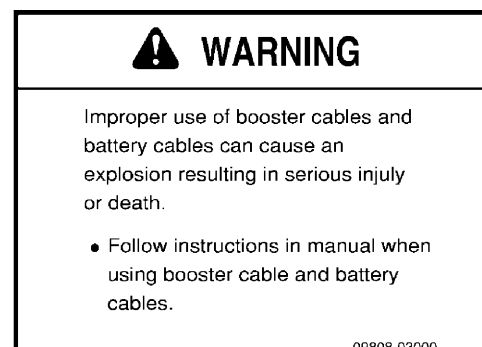
(11) Caution when handling accumulator (09659-53000)



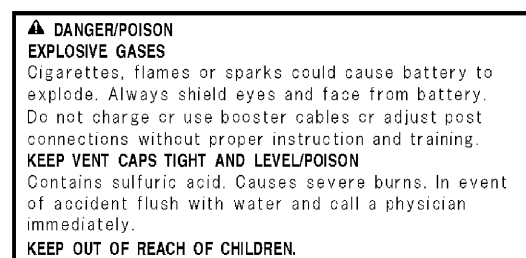
(12) Caution when adjusting track tension (09657-03003)



(13) Caution when handling cable (09808-03000)



(14) Caution when handling battery (09664-30021)



(15) Stop rotation during inspection and maintenance
(09667-03001)



(16) Caution against falling (09805-03000)



(17) Caution against falling (09805-13000)



(18) Prohibition to enter swing range (09133-23000)



(19) Prohibited to start by short-circuiting (09842-A0481)
This safety label is fixed to the engine starting motor.




Start the engine only after sitting down in the operator's seat.

Do not attempt to start the engine by short-circuiting the engine starting circuit. Such an act may cause a serious bodily injury or fire.


(20) Caution for control pattern (21W-98-44220)

Machine equipped with control pattern selector valve



	WARNING
<p>This machine is equipped with a control pattern selector valve. To prevent personal injury caused by mistaken operation, always check that the movement of the machine matches the pattern shown on the control pattern card before starting operations.</p> <ul style="list-style-type: none"> • When checking the movement of the machine, check that the surrounding area is safe and operate the machine slowly. • If the movement does not match the control pattern card, replace the card with the card showing the correct control pattern. <p>Always do as follows when changing the control pattern.</p> <ul style="list-style-type: none"> • Lower the work equipment to the ground, stop the engine, and set the safety lock lever to the LOCK position. Then change the control pattern. 	
21W-98-44220	

(21) Caution when changing control pattern (22M-98-11180)

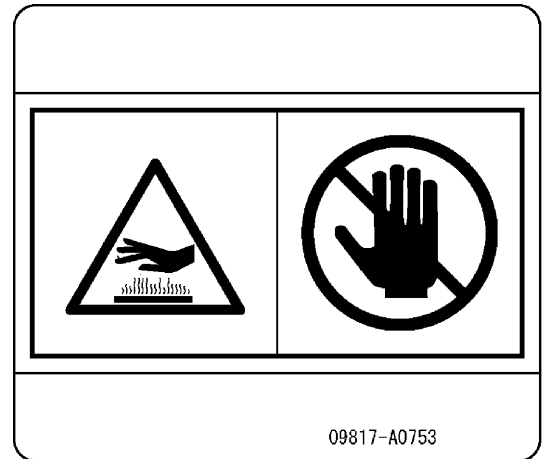
Machine equipped with control pattern selector valve

	WARNING
<ul style="list-style-type: none"> • When changing the control pattern, set the machine in the parking condition, stop the engine, and set the safety lock lever to the LOCK position. • Align the control pattern selector lever to the specified position. (Check the detent.) • After changing the control pattern, do not forget to exchange the control pattern card and display the new control pattern card inside the operator's cab. 	
22M-98-11180	

(22) Caution for high-pressure fuel (6217-71-9331)

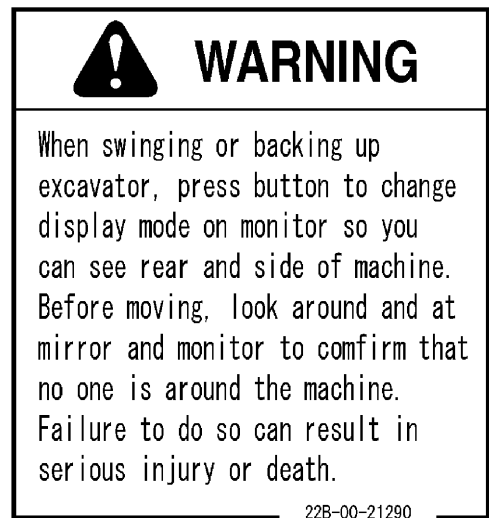
		WARNING
	<p style="text-align: center;">High Pressure Fuel</p> <p>When the engine is running, high-pressure fuel is generated in the engine fuel piping. Do not remove or loosen fuel system piping when engine is running. When carrying out inspection or maintenance, stop the engine and wait at least 30 seconds to allow internal pressure to go down.</p> <p>DO NOT RISK SEVERE INJURY OR DEATH</p>	
6217-71-9331		

(23) Caution for high temperature (09817-A0753)

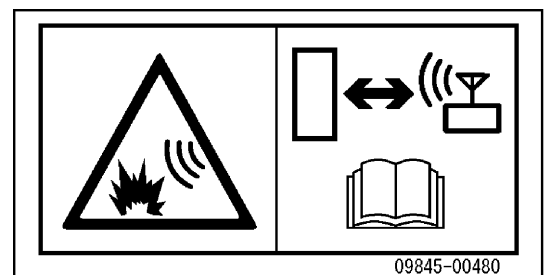


Sign indicates a burn hazard from touching heated parts, such as engine, motor, or muffler during or right after operation. Never touch when hot.

(24) Caution when swinging or traveling in reverse (22B-00-21290)

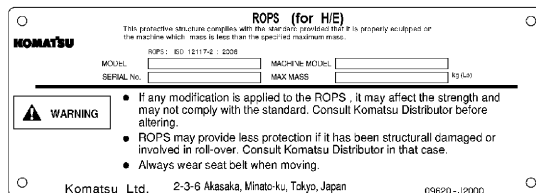


(25) Caution for blast site (09845-00480)
(only when equipped with KOMTRAX)

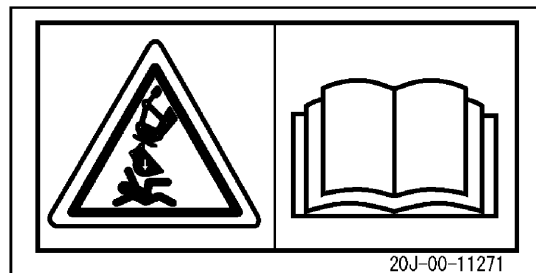


Sign indicates an explosion hazard caused by active radio transmitter at a blast zone. Keep machine at a safe distance from a blast zone and detonator.

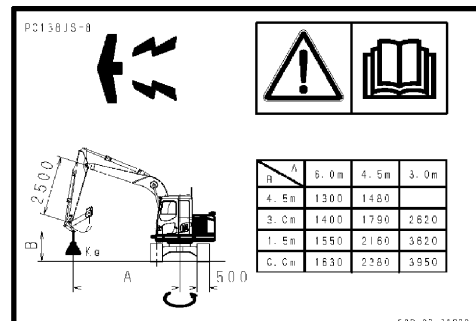
(26) Caution for ROPS (09620-J2000)



(27) Caution for handling quick coupler (20J-00-11271)



(28) Overload alarm buzzer (22B-00-21630)



The safety labels, (1) through (6) are a single seal. In replacement, place an order for it with Part No. 22U-00-21290.

GENERAL PRECAUTIONS COMMON TO OPERATION AND MAINTENANCE

Mistakes in operation, inspection, or maintenance may result in serious personal injury or death. Before performing operation, inspection, or maintenance, always read this manual and the safety labels on the machine carefully and obey the warnings.

PRECAUTIONS BEFORE STARTING OPERATION

ENSURING SAFE OPERATION

- Only trained and authorized personnel can operate and maintain the machine.
- Follow all safety, precautions, and instructions in this manual when operating or performing inspection or maintenance on the machine.
- If you are not feeling well, or if you are under the influence of alcohol or medication, your ability to safely operate or repair your machine may be severely impaired, putting yourself and everyone else on your job site in danger.
- When working with another operator or with the person on the worksite traffic duty, discuss the content of the operation beforehand and use the determined signals when performing the operation.

UNDERSTANDING THE MACHINE

Before operating the machine, read this manual thoroughly. If there are any places in this manual that you do not understand, ask the person in charge of safety to give an explanation.

PREPARATIONS FOR SAFE OPERATION

PRECAUTIONS REGARDING SAFETY-RELATED EQUIPMENT

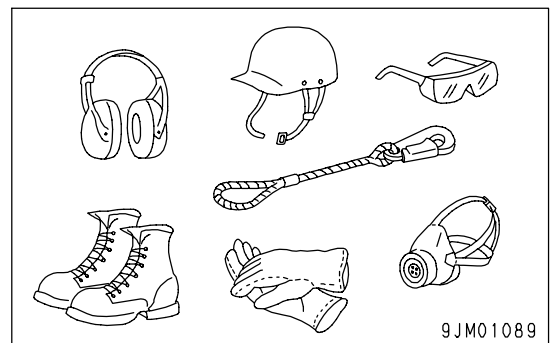
- Be sure that all guards, covers, cameras, and mirrors are in their proper position. Have them repaired immediately if they are damaged.
- Understand the method of use of safety features and use them properly.
- Never remove any safety features. Always keep them in good operating condition.

INSPECTING MACHINE

Check the machine before starting operations. If any abnormality is found, do not operate the machine until repairs of the problem location have been completed.

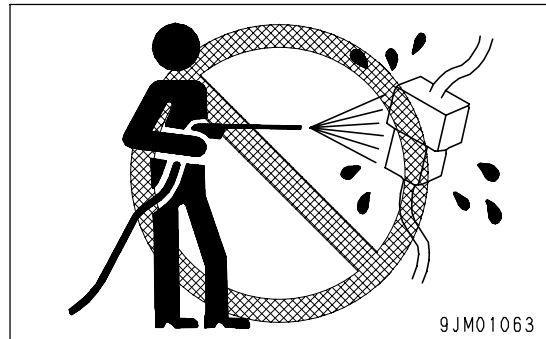
WEAR WELL-FITTING CLOTHES AND PROTECTIVE EQUIPMENT

- Do not wear loose clothes or any accessories. If these catch on the control levers or protruding parts, there is danger that it may cause the machine to move unexpectedly.
- Always wear a hard hat and safety shoes. If the nature of the work requires it, wear protective eyeglasses, mask, gloves, ear plugs, and safety belt when operating or maintaining the machine.
- If you have long hair and it hangs out from your hard hat, there is a hazard that it may get caught up in the machine, so tie your hair up and be careful not to let it get caught.
- Check that all protective equipment functions properly before using it.



KEEP MACHINE CLEAN

- If you get on or off the machine or perform inspection and maintenance when the machine is dirty with mud or oil, there is a hazard that you will slip and fall. Wipe off any mud or oil from the machine. Always keep the machine clean.
- If water gets into the electrical system, there is a hazard that it will cause malfunctions or misoperation. If there is any misoperation, there is danger that the machine may move unexpectedly and cause serious personal injury or death. When washing the machine with water or steam, do not allow the water or steam to come into direct contact with electrical components.
- When washing the machine with high-pressure water, direct spray onto camera may cause trouble. Defective camera cannot monitor surrounding area. When cleaning camera, do not allow the high-pressure water to get into camera directly, and wipe off any dirt with soft cloth.
- When cleaning camera, if you stand on an unstable place, or take an unstable posture, you may fall and be injured. Put proper stepladder or step on the level and firm ground, and clean the camera in secure posture.

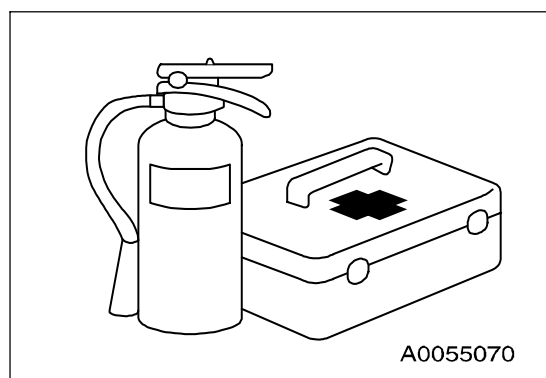
**PRECAUTIONS INSIDE OPERATOR'S COMPARTMENT**

- When entering the operator's compartment, always remove all mud and oil from the soles of your shoes. If you operate the pedal with mud or oil affixed to your shoes, your foot may slip and this may cause a serious accident.
- Do not leave tools or a machine parts lying around inside the operator's compartment. If tools or parts get into the control devices, it may obstruct operation and cause the machine to move unexpectedly, resulting in serious personal injury or death.
- Do not stick suction pads to the window glass. Suction pads act as a lens and may cause fire.
- Do not use a cell phone when driving or operating the machine. This may lead to mistakes in operation, which could cause serious personal injury or death.
- Never bring any dangerous objects such as flammable or explosive items into the operator's compartment.

PROVIDE FIRE EXTINGUISHER AND FIRST AID KIT

Always observe the following to prepare for action if any injury or death or fire should occur.

- Be sure that fire extinguishers have been provided and read the labels to ensure that you know how to use them in emergencies.
- Perform periodic inspection and maintenance to ensure that the fire extinguisher can always be used.
- Provide a first aid kit in the storage point. Perform periodic checks and add to the contents if necessary.

**IF ANY PROBLEM IS FOUND**

If you find any problems in the machine during operation or maintenance (noise, vibration, smell, incorrect gauges, smoke, oil leakage, etc., or any abnormal display on the warning devices or machine monitor), report to the person in charge and have the necessary action taken. Do not operate the machine until the problem has been corrected.

FIRE PREVENTION

ACTION IF FIRE OCCURS

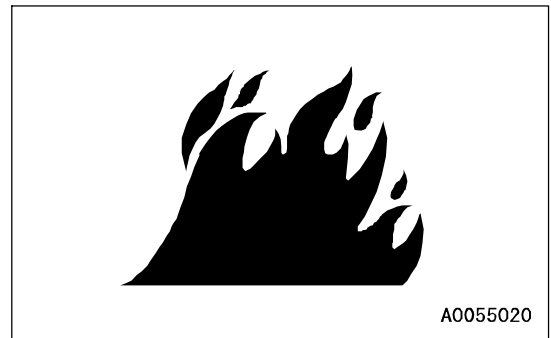
- Turn the starting switch OFF to stop the engine.
- Use the handrails and steps to get off the machine.
- Do not jump off the machine. There is the danger of falling and suffering serious injury.

PRECAUTIONS TO PREVENT FIRE

• Fire caused by fuel, oil, coolant or window washer fluid

Do not bring any open flame close to flammable substances such as fuel, oil, coolant or window washer fluid. There is danger that they may catch fire. To prevent fire, always observe the following:

- Do not smoke or use any open flame near fuel or other flammable substances.
- Stop the engine before adding fuel.
- Do not leave the machine when adding fuel or oil.
- Tighten all fuel and oil caps securely.
- Be careful not to spill fuel on overheated surfaces or on parts of the electrical system.
- After adding fuel or oil, wipe up any spilled fuel or oil.
- Put greasy rags and other combustible materials into a safe container to maintain safety at the workplace.
- When washing parts with oil, use a non-flammable oil. Do not use diesel oil or gasoline. There is danger that they may catch fire.
- Do not weld or use a cutting torch to cut any pipes or tubes that contain flammable liquids.
- Determine well-ventilated areas for storing oil and fuel. Keep the oil and fuel in the determined place and do not allow unauthorized persons to enter.
- When performing grinding or welding work on the machine, move any flammable materials to a safe place before starting.



• Fire caused by accumulation of flammable material.

- Remove any dry leaves, chips, pieces of paper, coal dust, or any other flammable materials accumulated or affixed around the engine, exhaust manifold, muffler, or battery, or inside the undercovers.
- To prevent fires spreading from sparks or burning particles from other fires, remove any flammable materials such as dry leaves, chips, pieces of paper, coal dust, or any other flammable materials accumulated around the cooling system (radiator, oil cooler) or inside the undercover.

• Fire coming from electric wiring

Short circuits in the electrical system can cause fire. To prevent fire, always observe the following.

- Keep all electric wiring connections clean and securely tightened.
- Check the wiring every day for looseness or damage. Tighten any loose connectors or wiring clamps. Repair or replace any damaged wiring.

- **Fire coming from piping**

Check that all the hose and tube clamps, guards, and cushions are securely fixed in position.

If they are loose, they may vibrate during operation and rub against other parts. There is danger that this may lead to damage to the hoses and cause high-pressure oil to spurt out, leading to fire, serious personal injury or death.

- **Explosion caused by lighting equipment**

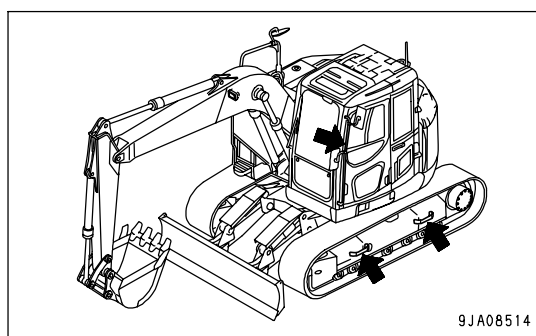
- When checking fuel, oil, battery electrolyte, or coolant, always use lighting with anti-explosion specifications.
- When taking the electrical power for the lighting from the machine itself, follow the instructions in this manual.

PRECAUTIONS WHEN GETTING ON OR OFF MACHINE

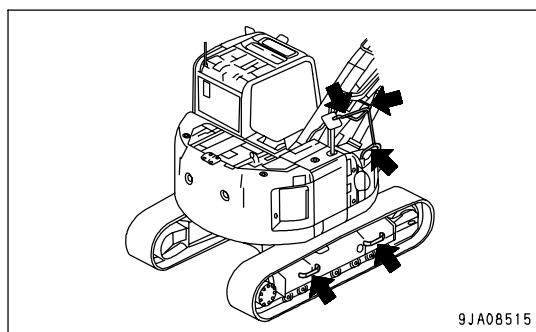
USE HANDRAILS AND STEPS WHEN GETTING ON OR OFF MACHINE

To prevent personal injury or death caused by slipping or falling off the machine, always observe the following.

- Use the handrails and steps marked by arrows in the figure on the right when getting on or off the machine.

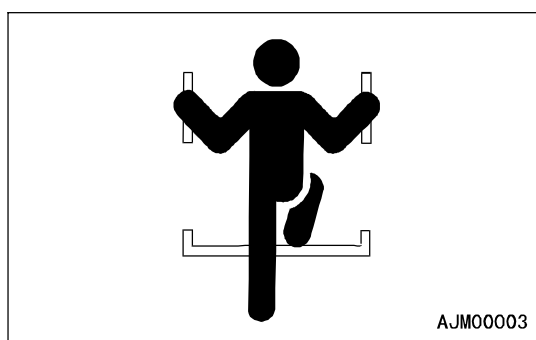


9JA08514



9JA08515

- Always face the machine and maintain at least 3 point contact (both feet and one hand, or both hands and one foot) with the handrail and steps to ensure that you support yourself.



AJM00003

- Before getting on and off the machine, check the handrails and steps if there is any oil, grease, or mud on them. Wipe it off immediately not to slip if any. In addition, tighten any loose bolt of the handrails and steps. If the handrails and steps are damaged or deformed, they need to be repaired immediately. Ask your Komatsu distributor to perform this work.
- Do not grip the control levers or lock lever when getting on or off the machine.
- Never climb on the engine hood or covers where there are no non-slip pads.
- Do not get on or off the machine while holding tools in your hand.

NO JUMPING ON OR OFF MACHINE

- Never jump on or off the machine. Never get on or off a moving machine.
- If the machine starts to move when there is no operator on the machine, do not jump on to the machine and try to stop it.

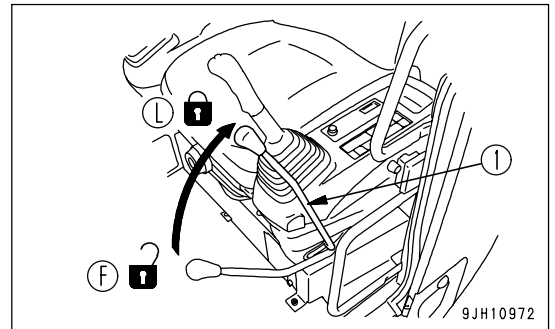
NO PEOPLE ON ATTACHMENTS

Never let anyone ride on the work equipment or other attachments. There is a hazard of falling and suffering serious personal injury or death.

PRECAUTIONS WHEN STANDING UP FROM OPERATOR'S SEAT

Before standing up from the operator's seat, such as when opening or closing the front window or ceiling window, when removing or installing the bottom window, or adjusting the position of the seat, always lower the work equipment completely to the ground, set lock lever (1) to LOCK position (L), and stop the engine.

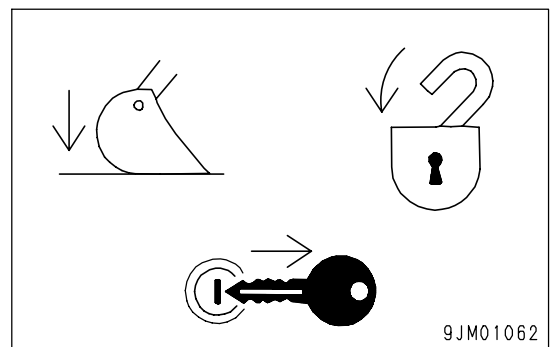
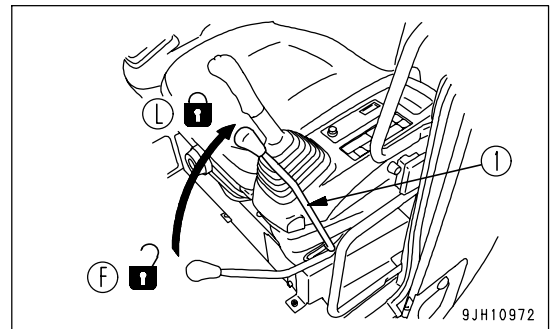
If the control levers are touched by mistake, the machine may suddenly move and cause serious personal injury or death.

**PRECAUTIONS WHEN LEAVING MACHINE**

If the proper procedures are not taken when parking the machine, the machine may suddenly move off by itself, and this may lead to serious personal injury or death. Always observe the following.

- When leaving the machine, always lower the work equipment completely to the ground, set lock lever (1) to LOCK position (L), and stop the engine.

In addition, lock all parts, always take the key with you and leave it in the specified place.

**EMERGENCY EXIT FROM OPERATOR'S CAB**

- If it should be impossible to open the door of the cab, break the window glass with the hammer supplied and use the window as an emergency escape.

For details, see "EMERGENCY ESCAPE HAMMER (PAGE 3-85)" in this volume.

- When escaping, remove all the pieces of glass from the window frame first and be careful not to cut yourself on the glass. Be careful also not to slip on the broken pieces of glass on the ground.

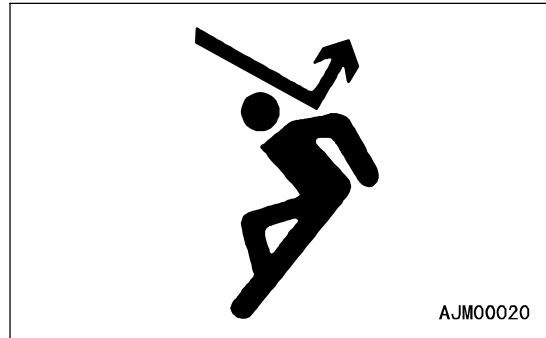
DO NOT GET CAUGHT IN WORK EQUIPMENT

The clearance in the area around the work equipment changes according to the movement of the link. If you get caught, you may suffer serious personal injury or death. Do not allow anyone to come close to any rotating or extending/retracting portion.

PRECAUTIONS RELATED TO PROTECTIVE STRUCTURES

The operator compartment is equipped with a structure (such as ROPS, OPG) to protect the operator by absorbing impact energy. For machines equipped with ROPS (ROLL-OVER PROTECTIVE STRUCTURE):

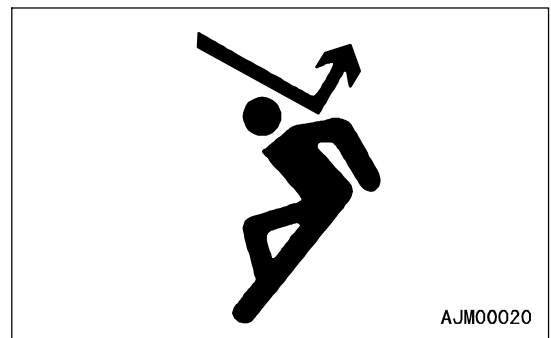
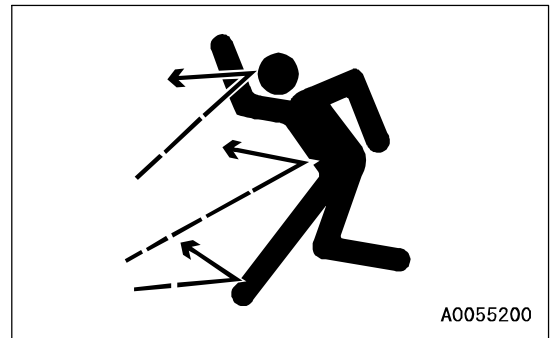
- If the machine weight (mass) exceeds the certified value shown on ROPS certification plate or if the machine specification is changed into another specification that is not shown in this manual, ROPS will not be able to fulfil its function, which may result in serious injury or death.
- Do not increase the machine weight beyond the certified value by modifying the machine or by installing additional attachments to the machine and do not change the machine specification to that which is not shown in this manual. If in any doubt contact your Komatsu distributor.
- With any combination of work tool (such as bucket, breaker) that Komatsu refer to in this manual, the overall weight of the machine does not exceed the certified value of ROPS.
- Always observe the following. If the machine is equipped with a protective structure, do not remove the protective structure and perform operations without it.
- If the protective structure is welded, or holes are drilled in it, or it is modified in any other way, its strength may drop. Any modification is prohibited.
- If the protective structure is damaged or deformed by falling objects or by rolling over, its strength will be reduced and it will not be able to fulfill its function properly. In such cases, always consult your Komatsu distributor.
- Even if the protective structure is installed, always fasten your seat belt properly when operating the machine. If you do not fasten your seat belt properly, it cannot perform its function.



PROTECTION AGAINST FALLING, FLYING, INTRUDING OBJECTS

On jobsites where there is a hazard that falling objects, flying objects, or intruding objects may hit or enter the operator's cab, consider the operating conditions and install the necessary guards to protect the operator.

- When operating on jobsites, such as mines or quarries, where there is a hazard of falling rocks, install FOPS and a front guard, and always keep all the windows and doors closed when operating. In addition, always check that there is no one except the operator in the surrounding area. They may be hit by falling objects or flying objects.
- When performing out demolition or breaker operations, install a front guard and always keep all the windows closed when operating. In addition, always check that there is no one except the operator in the surrounding area. They may be hit by falling objects or flying objects.



UNAUTHORIZED MODIFICATION

- Komatsu will not be responsible for any injuries or death, accidents, product failures or other property damages resulting from modifications made without authorization from Komatsu.
- Any modification made without authorization from Komatsu can create hazards. Before making a modification, consult your Komatsu distributor.

PRECAUTIONS RELATED TO ATTACHMENTS AND OPTIONS

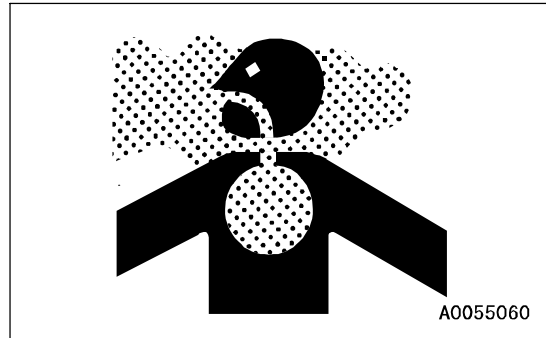
- Any injuries or death, accidents, product failures or other property damages resulting from the use of unauthorized attachments or parts will not be the responsibility of Komatsu.
- When installing optional parts or attachments, there may be problems with safety or legal restrictions. Therefore consult your Komatsu distributor for advice.
- Depending on type of combination of work equipment, there is hazard that the work equipment may hit the cab or other parts of the machine. During operation, an interference of the work equipment with the machine may cause a serious personal injury. Before using unfamiliar work equipment, check there is hazard of interference, and operate within not contact.
- When installing and using optional attachments, read the instruction manual for the attachment, and the general information related to attachments in this manual.

PRECAUTIONS RELATED TO CAB GLASS

- If the cab glass is broken during operations, stop operations and repair the cab glass immediately.
- If the cab glass on the work equipment side is broken, there is a hazard that the operator may be directly hit or caught in the work equipment. If the glass is broken, stop operations immediately and replace the glass.
- The ceiling window is made of plastic, so if it is scratched, the visibility will become poor and there is danger that it may break. If it is scratched, replace it with the new part as soon as possible. If the window is scratched and is not replaced, there is danger that any rocks falling on it will cause it to break, leading to injury to the operator.

PRECAUTIONS WHEN RUNNING ENGINE INSIDE BUILDING

The engine exhaust gas contains substances that may damage your health or even cause death. Start or operate the engine in a place where there is good ventilation. If the engine or machine must be operated inside a building or under ground, where the ventilation is poor, take steps to ensure that the engine exhaust gas is removed and that ample fresh air is brought in.



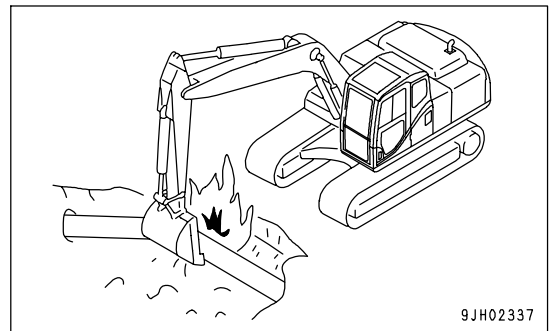
PRECAUTIONS FOR OPERATION

PRECAUTIONS FOR JOBSITE

INVESTIGATE AND CONFIRM JOBSITE CONDITIONS

On the jobsite, there are various hidden dangers that may lead to personal injury or death. Before starting operations, always check the following to confirm that there is no danger on the jobsite.

- When performing operations near combustible materials such as attached roofs, dry leaves or dry grass, there is a hazard of fire, so be careful when operating.
- Check the terrain and condition of the ground at the worksite, and determine the safest method of operation. Do not operate where there is a hazard of landslides or falling rocks.
- If water lines, gas lines, or high-voltage electrical lines may be buried under the worksite, contact each utility and identify their locations. Be careful not to sever or damage any of these lines.
- Take necessary measures to prevent any unauthorized person from entering the operating area.
- In particular, if you need to operate on a road, protect pedestrian and cars by designating a person for worksite traffic duty or by installing fences around the worksite.
- When traveling or operating in water or on soft ground, check the water depth, speed of the current, bedrock, and shape of the ground beforehand and avoid any place that will obstruct travel.



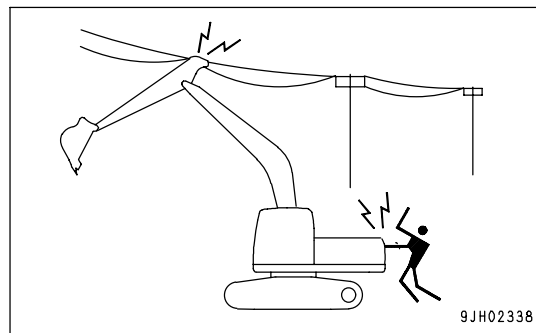
WORKING ON LOOSE GROUND

- Avoid traveling or operating your machine too close to the edge of cliffs, overhangs, and deep ditches. The ground may be weak in such areas. If the ground should collapse under the weight or vibration of the machine, there is a hazard that the machine may fall or tip over. Remember that the soil after heavy rain or blasting or after earthquakes is weak in these areas.
- When working on embankments or near excavated ditches, there is a hazard that the weight and vibration of the machine will cause the soil to collapse. Before starting operations, take steps to ensure that the ground is safe and to prevent the machine from rolling over or falling.

DO NOT GO CLOSE TO HIGH-VOLTAGE CABLES

Do not travel or operate the machine near electric cables. There is a hazard of electric shock, which may cause serious personal injury or death. On jobsites where the machine may go close to electric cables, always observe the following.

- Before starting work near electric cables, inform the local power company of the work to be performed, and ask them to take the necessary action.



- Even going close to high-voltage cables can cause electric shock, which may cause serious burns or even death. Always maintain a safe distance (see the table on the right) between the machine and the electric cable. Check with the local power company about safe operating procedure before starting operations.
- To prepare for any possible emergencies, wear rubber shoes and gloves. Lay a rubber sheet on top of the seat, and be careful not to touch the chassis with any exposed part of your body.
- Use a signalman to give warning if the machine approaches too close to the electric cables.
- When performing operations near high voltage cables, do not let anyone near the machine.
- If the machine should come too close or touch the electric cable, to prevent electric shock, the operator should not leave the operator's compartment until it has been confirmed that the electricity has been shut off. Also, do not let anyone near the machine.

Voltage of Cables	Safety Distance
100 V, 200 V	Over 2 m (7 ft)
6,600 V	Over 2 m (7 ft)
22,000 V	Over 3 m (10 ft)
66,000 V	Over 4 m (14 ft)
154,000 V	Over 5 m (17 ft)
187,000 V	Over 6 m (20 ft)
275,000 V	Over 7 m (23 ft)
500,000 V	Over 11 m (36 ft)

ENSURE GOOD VISIBILITY

This machine is equipped with mirrors and cameras to ensure good visibility, but even then there are places that cannot be seen from the operator's seat, so be careful when operating.

When traveling or performing operations in places with poor visibility, it is impossible to check for obstacles in the area around the machine and to check the condition of the jobsite. This leads to danger of serious personal injury or death. When traveling or performing operations in places with poor visibility, always observe the following.

- Position a signalman if there are areas where the visibility is not good.
- Only 1 signalman should give signals.
- When working in dark places, turn on the working lamp and front lamps installed to the machine, and set up additional lighting in the work area if necessary.
- Stop operations if the visibility is poor, such as in mist, snow, rain, or dust.
- When checking the mirrors installed to the machine, remove all dirt and adjust the angle of the mirror to ensure good visibility.
- If the machine is equipped with cameras, clean off any dirt from the lens and make sure that the camera gives a clear view.

CHECKING SIGNS AND SIGNALMAN'S SIGNALS

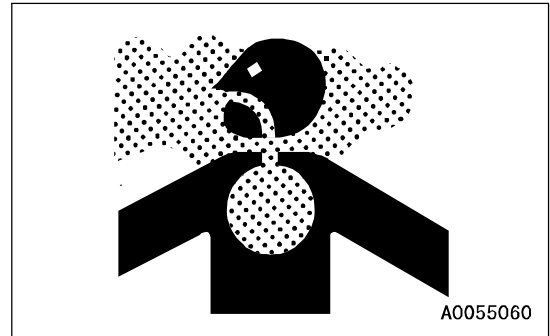
- Set up signs to inform of road shoulders and soft ground. If the visibility is not good, position a signalman if necessary. Operators should pay careful attention to the signs and follow the instructions from the signalman.
- Only 1 signalman should give signals.
- Make sure that all workers understand the meaning of all signals and signs before starting work.

BEWARE OF ASBESTOS DUST

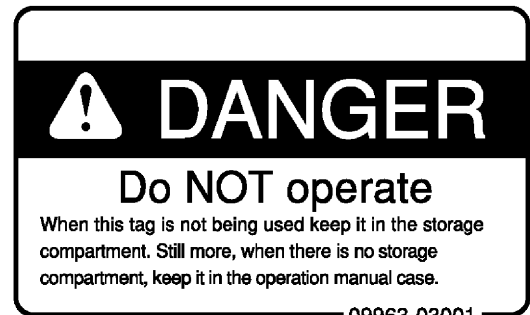
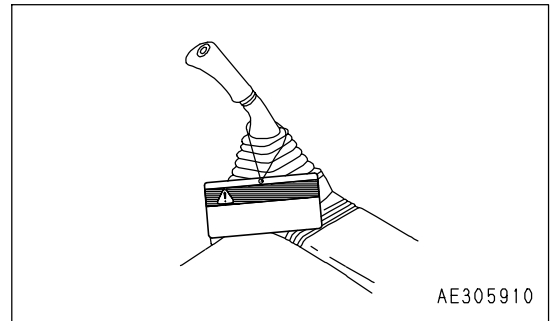
Asbestos dust in the air can cause lung cancer if it is inhaled. There is danger of inhaling asbestos when working on jobsites handling demolition work or work handling industrial waste. Always observe the following.

- Spray water to keep down the dust.
- Do not use compressed air.
- If there is danger that there may be asbestos dust in the air, always operate the machine from an upwind position, and make sure that all workers operate on the upwind side.
- All workers should use anti-dust masks.
- Do not allow other persons to approach during the operation.
- Always observe the rules and regulations for the work site and environmental standards.

This machine does not use asbestos, but there is a danger that improper parts may contain asbestos, so always use genuine Komatsu parts.

**STARTING ENGINE****USE WARNING TAGS**

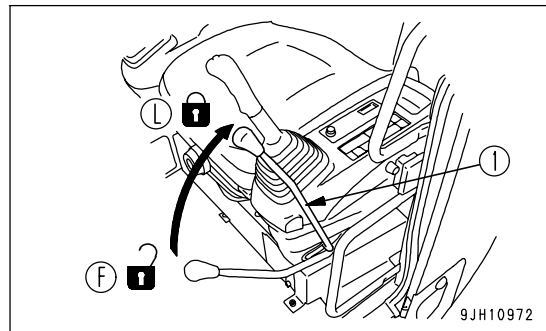
If there is any "DANGER! Do NOT operate!" warning tag displayed, it means that someone is performing inspection and maintenance of the machine. If the warning sign is ignored and the machine is operated, there is danger that the person performing inspection or maintenance may be caught in the rotating parts or moving parts and suffer serious personal injury or death. Do not start the engine or touch the levers.



INSPECTION AND MAINTENANCE BEFORE STARTING ENGINE

Perform the following checks before starting the engine at the beginning of the day's work to ensure that there is no problem with the operation of the machine. If this inspection is not performed properly, problems may occur with the operation of the machine, and there is danger that this may lead to serious personal injury or death.

- Remove all dirt from the surface of the window glass to ensure a good view.
- Perform the "Walk-around Checks (PAGE 3-115)".
- Remove all dirt from the surface of the lens of the front lamps and working lamps, and check that they light up correctly.
- Check the coolant level, fuel level, and oil level in engine oil pan, check for clogging of the air cleaner, and check for damage to the electric wiring.
- Check that there is no mud or dust accumulated around the movable parts of any pedals, and check that the pedals work properly.
- Adjust the operator's seat to a position where it is easy to perform operations, and check that there is no damage or wear to the seat belt or mounting clamps.
- Check that the gauges work properly, check the angle of the mirror, and check that the control levers are all at NEUTRAL position.
- Before starting the engine, check that lock lever (1) is in LOCK position (L).
- Adjust the mirrors so that the rear of the machine can be seen clearly from the operator's seat.
When adjusting, see "Mirror Adjustment (PAGE 3-128)".
- If the machine is equipped with cameras, adjust the angle so that the surrounding area can be seen clearly from the operator's seat.
For details when adjusting, see "Adjusting Angle of Camera (PAGE 3-132)".
- Check that there are no persons or obstacles above, below, or in the area around the machine.



PRECAUTIONS WHEN STARTING ENGINE

- Start and operate the machine only while seated.
- When starting the engine, sound the horn as a warning.
- Do not allow anyone apart from the operator to ride on the machine.
- Do not attempt to start the engine by short-circuiting the engine starting circuit. This may cause fire, serious personal injury or death.

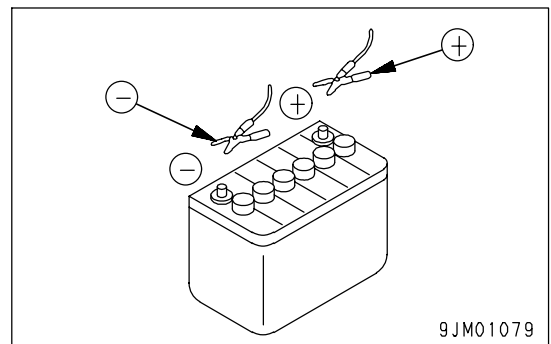
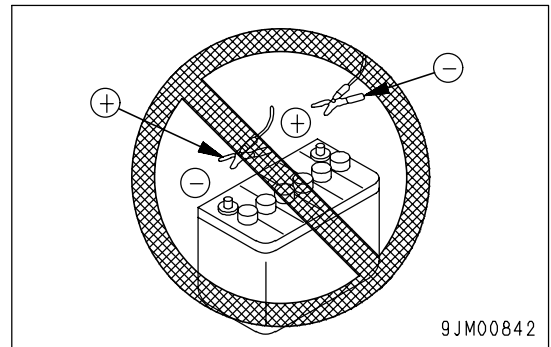
PRECAUTIONS IN COLD AREAS

- Perform the warming-up operation thoroughly. If the machine is not thoroughly warmed up before the control levers or control pedals are operated, the reaction of the machine will be slow or the machine may move in a way not expected by the operator. Particularly in cold weather, be sure to perform the warming-up operation thoroughly.
- If the battery electrolyte is frozen, do not charge the battery or start the engine with a different power source. There is a hazard that this will ignite the battery and cause the battery to explode.
Before charging or starting the engine with a different power source, melt the battery electrolyte and check that there is no leakage of electrolyte before starting.

STARTING WITH BOOSTER CABLES

If any mistake is made in the method of connecting the booster cables, it may cause the battery to explode, so always observe the following.

- Always wear protective eyeglasses and rubber gloves when starting the engine with booster cable.
- When connecting a normal machine to a failed machine with booster cables, always use a normal machine with the same battery voltage as the failed machine.
- When starting with a booster cable, perform the starting operation with 2 workers (1 worker sitting in the operator's seat and the other working with the battery).
- When starting from another machine, do not allow the normal machine and failed machine.
- When connecting the booster cables, turn the starting switch to OFF position for both the normal machine and failed machine. There is a hazard that the machine will move when the power is connected.
- Be sure to connect the positive (+) cable first when installing the booster cables. Disconnect the negative (-) cable (ground side) first when removing them.
- When removing the booster cables, be careful not to let the booster cable clips touch each other or to let the clips touch the machine.
- For details of the starting procedure when using booster cables, see "Starting Engine with Booster Cables (PAGE 3-204)" in OPERATION section.



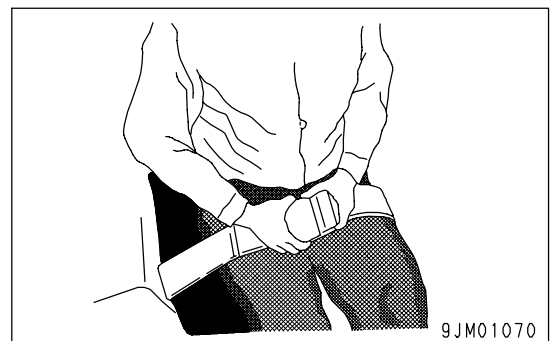
OPERATION

CHECKS BEFORE OPERATION

If the checks before starting are not performed properly, the machine will be unable to display its full performance, and there is also danger that it may lead to serious personal injury or death.

When performing the checks, move the machine to a wide area where there are no obstructions, and pay careful attention to the surrounding area. Do not allow anyone near the machine.

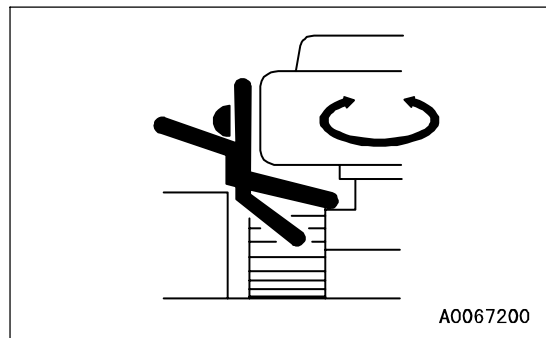
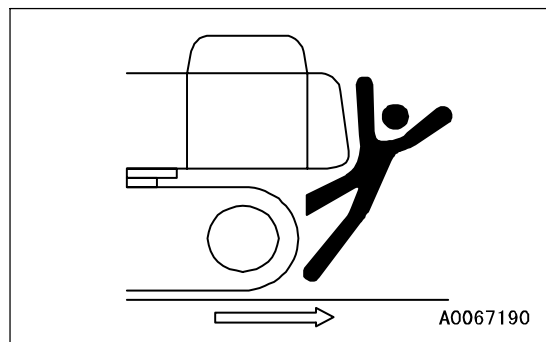
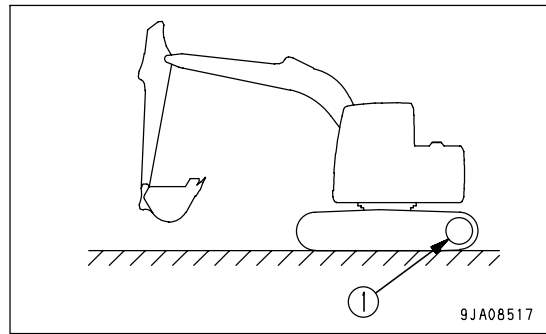
- Always fasten the seat belt. There is danger that you may be thrown out of the operator's seat and suffer serious injury when the brakes are applied suddenly.
- Check that the movement of the machine matches the display on the control pattern card. If it does not match, replace it immediately with the correct control pattern card.
- Check the operating condition of the machine, work equipment, arm, boom, travel, and swing system.
- Check for any problem in the sound of the machine, vibration, heat, smell, or gauges; check also that there is no leakage of oil or fuel.
- If any problem is found, perform repairs immediately.



PRECAUTIONS WHEN TRAVELING IN FORWARD OR REVERSE AND SWINGING

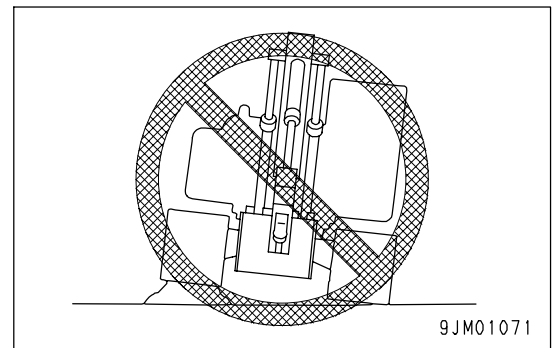
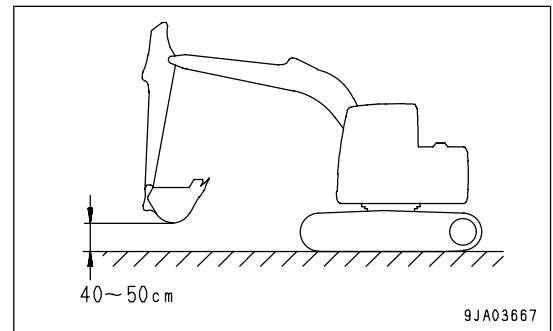
- When traveling, drive with sprocket (1) at the rear of the machine. If sprocket (1) is at the front, the operation of the travel levers will be the opposite of the actual direction of travel, so there is a hazard that the machine may travel in an unexpected direction, leading to serious injury or death.
- Always lock all the door and windows of the operator's compartment in position (open or closed).
On jobsites where there is a hazard of flying objects or of objects entering the operator's compartment, check that all the door and windows are securely closed.
- Do not allow anyone apart from the operator to ride on the machine.
- If there are any persons in the area around the machine, there is danger that they may be hit or caught by the machine, and this may lead to serious personal injury or death. Always observe the following before traveling.
 - Always operate the machine only when seated.
 - Before moving off, check it again that there is no person or obstacle in the surrounding area.
 - Before starting to move, sound the horn to warn people in the surrounding area.
 - Check that the travel alarm and other alarms work properly.
 - If there is an area to the rear of the machine that cannot be seen, position a signalman. Swing slowly and be extremely careful not to hit any person or object.

Always be sure to perform the above precautions even when the machine is equipped with mirrors and cameras.



PRECAUTIONS WHEN TRAVELING

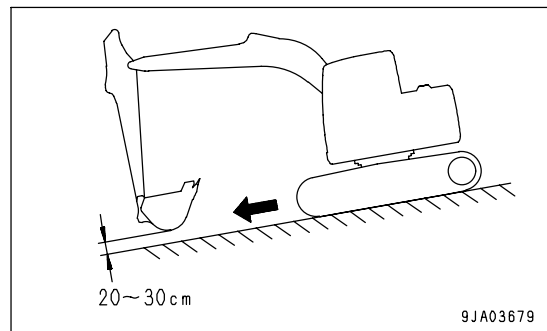
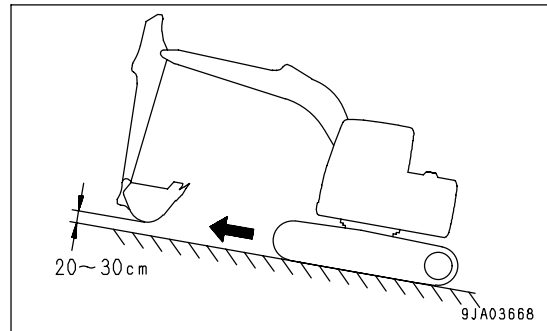
- When traveling or performing operations, always keep a safe distance from people, structures, or other machines to avoid coming into contact with them.
- When traveling on the level ground, keep the work equipment approximately 40 to 50 cm {16 to 20 in} above the ground. Otherwise, the work equipment may contact to the ground and the machine may be turned over.
- If the view to the right side is poor, raise the boom to ensure better visibility.
- For machines equipped with an auto-deceleration system, always turn the auto-deceleration switch OFF when traveling on rough ground or steep slopes. If the machine is operated with the auto-deceleration system ON, the engine speed will rise and the machine travel speed may suddenly become faster.
- Avoid traveling over obstacles when possible. If the machine has to travel over an obstacle, keep the work equipment close to the ground and travel at low speed. There is more danger of the machine tipping over to the left or right than tipping over to the front or rear, so do not travel over obstacles which make the machine tilt strongly to the left or right sides.
- When traveling on rough ground, travel at low speed and do not operate the steering suddenly. There is danger that the machine may turn over. The work equipment may hit the ground surface and cause the machine to lose its balance, or may damage the machine or structures in the area.
- When using the machine, to prevent personal injury caused by damage to the work equipment or by the machine overturning due to overloading, do not exceed the permitted performance of the machine or the maximum permitted load for the structure of the machine.
- When passing over bridges or structures, check first that the structure is strong enough to support the weight of the machine. When traveling on public roads, check first with the relevant authorities and follow their instructions.
- When operating in tunnels, under bridges, under electric wires, or other places where the height is limited, operate slowly and be extremely careful not to let the machine or work equipment hit anything.



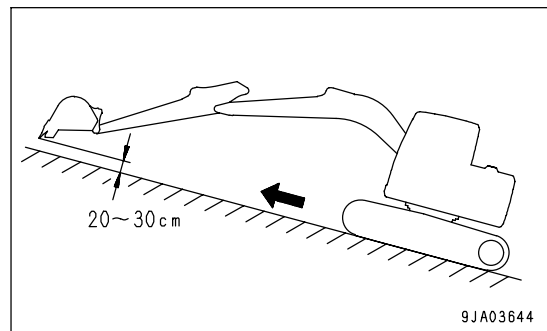
TRAVELING ON SLOPES

To prevent the machine from tipping over or slipping to the side, always observe the following.

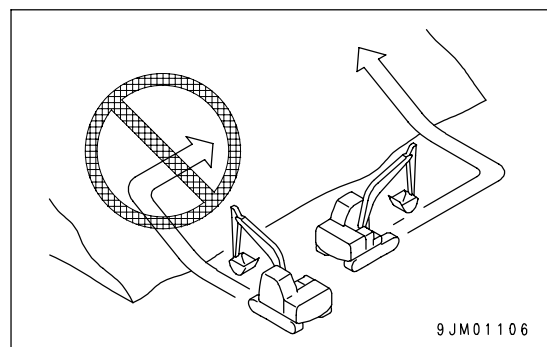
- Keep the work equipment approximately 20 to 30 cm {8 to 12 in} above the ground. In case of emergency, lower the work equipment to the ground immediately to help stop the machine.
- When travel up slopes, set the operator's cab facing uphill, when travel down slopes, set the operator's cab facing downhill. Always check the firmness of the ground under the front of the machine when traveling.



- When traveling up a steep slope, extend the work equipment to the front to improve the balance, keep the work equipment approximately 20 to 30 cm {8 to 12 in} above the ground, and travel at low speed.



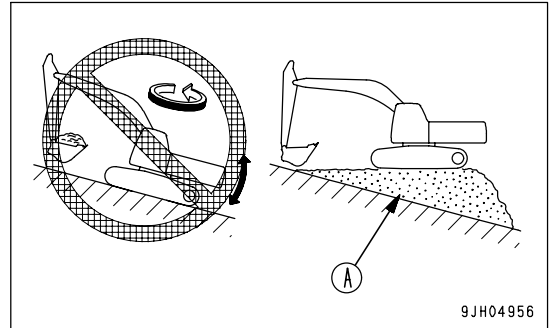
- When traveling downhill, lower the engine speed, keep the travel lever close to NEUTRAL position, and travel at low speed.
- Always travel straight up or down a slope. Traveling at an angle or across the slope is extremely dangerous.
- Do not turn on slopes or travel across slopes. Always go down to a flat place to change the position of the machine, then travel on to the slope again.



- Do not travel on a slope covered with the steel plates. Even with slight slopes there is a hazard that the machine may slip.
- Travel on grass or fallen leaves with low speed. Even with slight slopes there is a hazard that the machine may slip.
- If the engine stops when the machine is traveling on a slope, move the control levers immediately to NEUTRAL position and start the engine again.

OPERATING ON SLOPES

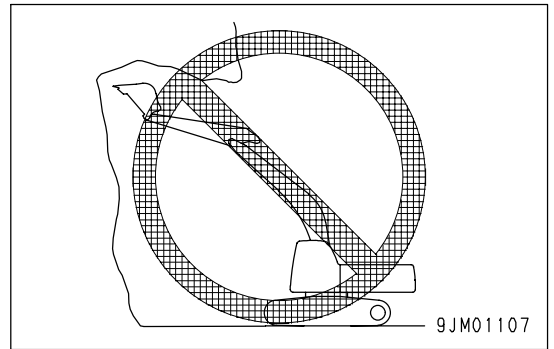
- When working on slopes, there is a hazard that the machine may lose its balance and turn over when the swing or work equipment are operated. This may lead to serious injury or property damage, so always provide a stable place when performing these operations, and operate carefully.
- Do not swing the work equipment from the uphill side to the downhill side when the bucket is loaded. This operation is dangerous, and may cause the machine to tip over.
- If the machine has to be used on a slope, pile the soil to make a platform (A) that will keep the machine as horizontal as possible.
- Do not work on a slope covered with the steel plates. Even with slight slopes there is a hazard that the machine may slip.



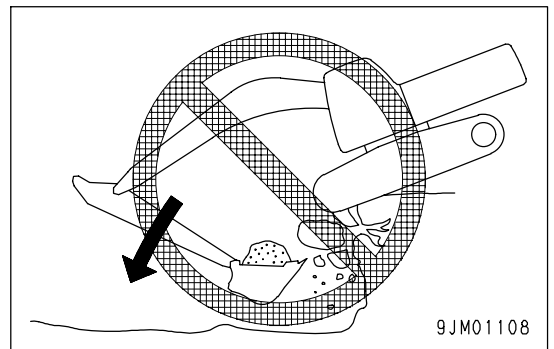
PROHIBITED OPERATIONS

If the machine rolls over or falls, or the ground at the working point collapses, or a structure being demolished collapses, it may lead to serious personal injury or death. Always observe the following.

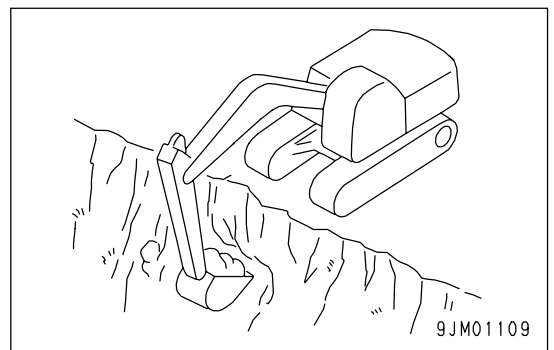
- Never dig the work face under an overhang. There is a hazard that rocks may fall or that the overhang may collapse and fall on top of the machine.



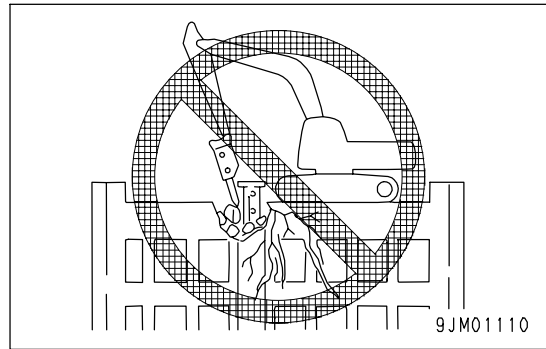
- Do not excavate too deeply under the front of the machine. The ground under the machine may collapse and cause the machine to fall.



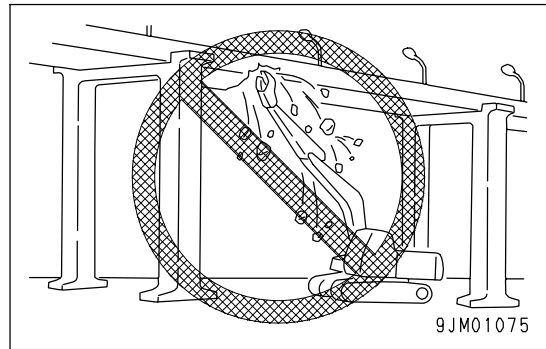
- To make it easier to escape if there is any problem, set the tracks at right angles to the road shoulder or cliff with the sprocket at the rear when performing operations.



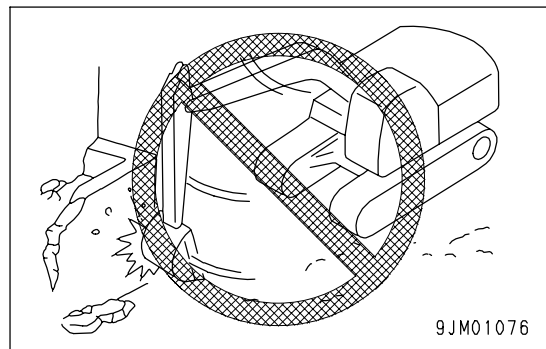
- When performing demolition work, do not perform demolition work under the front of the machine. This makes the ground unstable, and there is a hazard of the machine falling.



- When performing demolition work, do not perform demolition work above your head. There is a hazard of broken parts falling or of the building collapsing and causing serious injury or death.

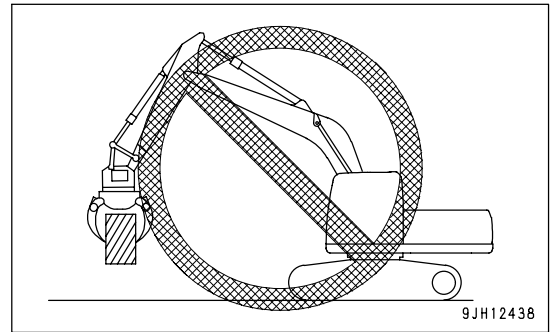


- When performing demolition work, do not use the impact force of the work equipment for breaking work. There is a hazard of damage to the work equipment and also a hazard of serious personal injury or death being caused by flying pieces of broken materials, or of the machine tipping over due to reaction from the impact.



- Do not pass the bucket over the heads of other workers or over the operator's seat of dump trucks or other hauling equipment. There is danger that the load may spill or the bucket may hit the dump truck and cause serious personal injury or death.
- When working on or from the top of buildings or other structures, check the strength and the structure before starting operations. There is a hazard of the building collapsing and causing serious injury or damage.
- Generally speaking, the machine is more liable to overturn when the work equipment is at the side than when it is at the front or rear.
- When using a breaker or other heavy work equipment, there is a hazard of the machine losing its balance and tipping over. When operating on flat ground as well as on slopes.
 - Do not suddenly lower, swing, or stop the work equipment.
 - Do not suddenly extend or retract the boom cylinder. There is a hazard that impact will cause the machine to tip over.

- In the operation using the fork or grapple, do not attempt to pick up an object with their tips.
There is a danger of damage to the machine or personal injury, as the picked up object can easily slip off.

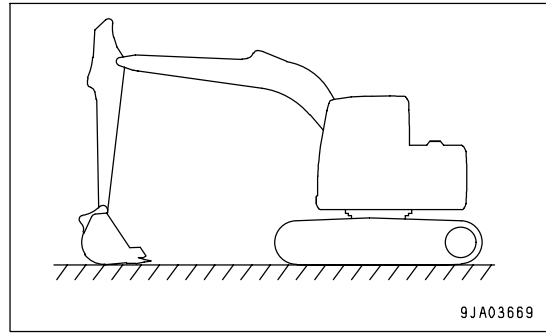


TRAVELING ON SNOW-COVERED OR FROZEN SURFACES

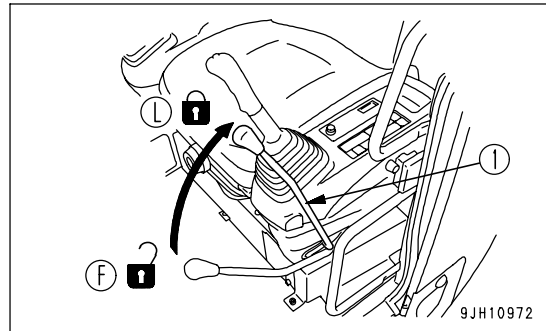
- Snow-covered or frozen surfaces are slippery, so be extremely careful when traveling or operating the machine, and do not operate the levers suddenly. Even a slight slope may cause the machine to slip, so be particularly careful when working on slopes.
- With frozen ground surfaces, the ground becomes soft when the temperature rises, and this may cause the machine to tip over or make it impossible for the machine to escape.
- If the machine enters deep snow, there is a hazard that it may tip over or become buried in the snow. Be careful not to leave the road shoulder or to get trapped in a snow drift.
- When clearing snow, the road shoulder and objects placed beside the road are buried in the snow and cannot be seen. There is a hazard of the machine tipping over or hitting covered objects, so always perform operations carefully.

PARKING MACHINE

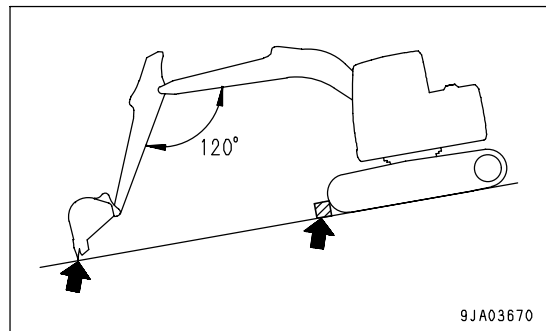
- Park the machine on firm, level ground.
- Select a place where there is no hazard of landslides, falling rocks, or flooding.
- Lower the work equipment completely to the ground.



- When leaving the machine, set lock lever (1) to LOCK position (L), then stop the engine.
- Always close the operator's cab door, and use the key to lock all the equipment in order to prevent any unauthorized person from moving the machine. Always remove the key, take it with you, and leave it in the specified place.



- If it is necessary to park the machine on a slope, always observe the following.
 - Set the work equipment on the downhill side and dig it into the ground.
 - In addition, put blocks under the tracks to prevent the machine from moving.



TRANSPORTATION

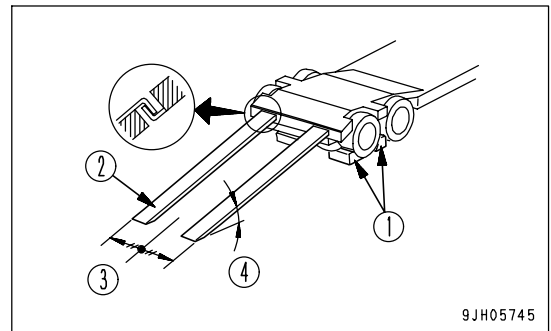
When the machine is transported on a trailer, there is danger of serious personal injury or death during transportation. Always observe the following.

- Always check the machine dimensions carefully. Depending on the work equipment installed, the machine weight, transportation height, and overall length may differ.
- Check beforehand that all bridges and other structures on the transportation route are strong enough to withstand the combined weight of the transporter and the machine being transported.
- The machine can be divided into parts for transportation, so when transporting the machine, consult your Komatsu distributor to have the work performed.

LOADING AND UNLOADING

When loading or unloading the machine, mistaken operation may bring the hazard of the machine tipping over or falling, so particular care is necessary. Always observe the following.

- Perform loading and unloading on firm, level ground only. Maintain a safe distance from the edge of the road or cliff.
- Never use the work equipment to load or unload the machine. There is danger that the machine may fall or tip over.
- Always use ramps of adequate strength. Be sure that the ramps are wide, long, and thick enough to provide a safe loading slope. Take suitable steps to prevent the ramps from moving out of position or coming off.
- Be sure the ramp surface is clean and free of grease, oil, ice and loose materials. Remove dirt from machine-tracks. On a rainy day, in particular, be extremely careful since the ramp surface is slippery.
- For machines equipped with an auto-deceleration device, always turn the auto-deceleration switch OFF. If the machine is operated with the auto-deceleration system ON, there is danger that the engine speed will suddenly rise, the machine will suddenly move off, or the machine travel speed will become faster.
- Run the engine at Low idle (MIN) and drive the machine slowly at low speed.
- When on the ramps, do not operate any lever except for the travel lever.
- Never correct your steering on the ramps. If necessary, drive off the ramps, correct the direction, then enter the ramps again.
- The center of gravity of the machine will change suddenly at the joint between the ramps and the track or trailer, and there is danger of the machine losing its balance. Travel slowly over this point.
- When loading or unloading to an embankment or platform, make sure that it has suitable width, strength, and grade.
- When swinging the upper structure on the trailer, the trailer is unstable, so pull in the work equipment and swing slowly.
- For machines equipped with a cab, always lock the door after boarding the machine. If this is not done, the door may suddenly open during transportation. Refer to "TRANSPORTATION (PAGE 3-182)".
- When it is necessary to remove handrails and steps, take care not to lose removed handrails and steps. Install the removed handrails and steps securely.



- (1) Blocks
- (2) Ramp
- (3) Centerline of ramps
- (4) Angle of ramps: Max. 15 deg.

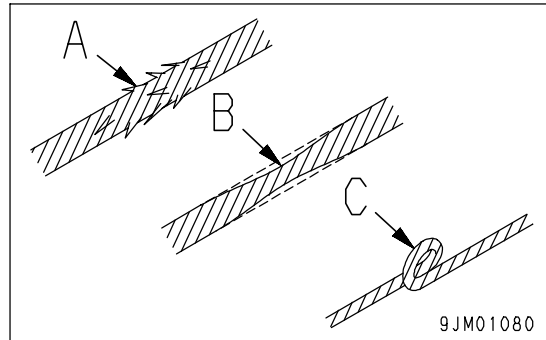
TOWING

PRECAUTIONS WHEN TOWING

Always use the correct towing equipment and towing method. Any mistake in the selection of the wire rope or towing bar or in the method of towing a disabled machine may lead to serious personal injury or death.

For towing, see "TOWING THE MACHINE (PAGE 3-199)".

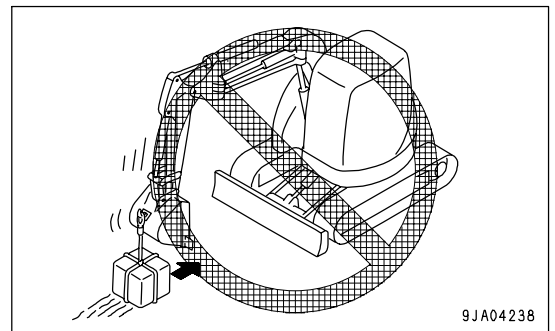
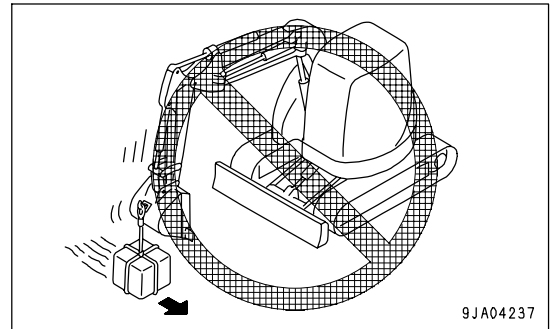
- Always confirm that the wire rope or drawbar used for towing has ample strength for the weight of the machine being towed.
- Never use a wire rope which has cut strands (A), reduced diameter (B), or kinks (C). There is danger that the rope may break during the towing operation.
- Always wear leather gloves when handling wire rope.
- Never tow a machine on a slope.
- During the towing operation, never stand between the towing machine and the machine being towed.



LIFTING OBJECTS WITH BUCKET

PRECAUTIONS FOR LIFTING OPERATIONS

- Do not perform lifting work on slopes, soft ground, or other places where the machine is not stable.
- Use wire rope that conforms to the specified standard.
- Determine the signals to be used and place a signaller in position.
- To prevent the danger of contact with a raised load or the danger from a falling load, do not allow any worker inside the area.
- It is dangerous if a raised load hits any person or structure. When operating the swing or work equipment, always check carefully that the surrounding area is safe.
- Do not start, swing, or stop the machine suddenly. There is a hazard that the lifted load will swing.
- Do not use the work equipment or swing to pull the load in any direction. There is danger that the hook may break and the load come off, causing the work equipment to move suddenly and cause personal injury.
- Do not leave the operator's seat when there is a raised load.



PRECAUTIONS FOR MAINTENANCE

PRECAUTIONS BEFORE STARTING INSPECTION AND MAINTENANCE

DISPLAY WARNING TAG DURING INSPECTION AND MAINTENANCE

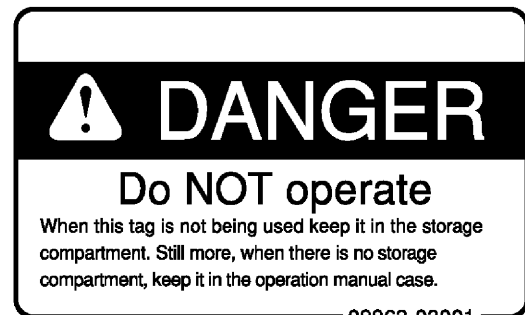
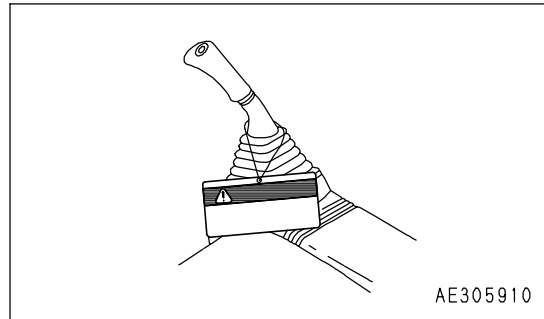
If there is any "DANGER! Do NOT operate!" warning tag displayed, it means that someone is performing inspection and maintenance of the machine. If the warning sign is ignored and the machine is operated, there is danger that the person performing inspection or maintenance may be caught in the rotating parts or moving parts and suffer serious personal injury or death. Do not start the engine or touch the levers.

- If necessary, put up signs around the machine also.

Warning tag part number: 09963-03001

When not using this warning tag, keep it in the toolbox.

If there is no toolbox, keep it in the pocket for the Operation and Maintenance Manual.



KEEP WORKPLACE CLEAN AND TIDY

- Do not leave hammers or other tools lying around in the work place. Wipe up all grease, oil, or other substances that will cause you to slip. Always keep the work place clean and tidy to enable you to perform operations safely. If the work place is not kept clean and tidy, there is the danger that you will trip, slip, or fall over and injure yourself.
- When cleaning the ceiling window which is made of organic glass (polycarbonate), use tap water and avoid use of organic solvents for cleaning. An organic solvent like benzene, toluene or methanol can invite a chemical reaction like dissolution and decomposition on the window glass, deteriorating polycarbonate in use.

SELECT SUITABLE PLACE FOR INSPECTION AND MAINTENANCE

- Stop the machine on firm, level ground.
- Select a place where there is no hazard of landslides, falling rocks, or flooding.

ONLY AUTHORIZED PERSONNEL

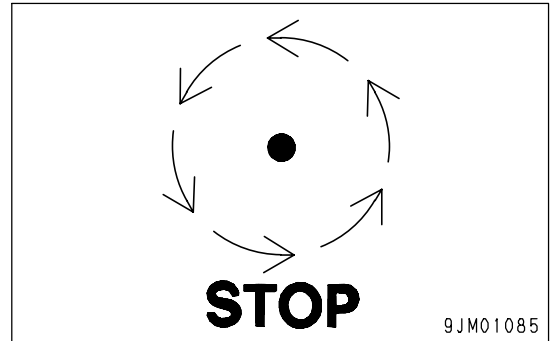
Do not allow any unauthorized personnel into the area when servicing the machine. If necessary, employ a guard.

APPOINT LEADER WHEN WORKING WITH OTHERS

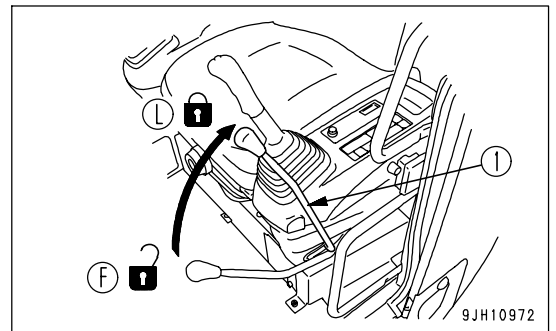
- When repairing the machine or when removing and installing the work equipment, appoint a leader and follow his instructions during the operation.

STOP ENGINE BEFORE PERFORMING INSPECTION AND MAINTENANCE

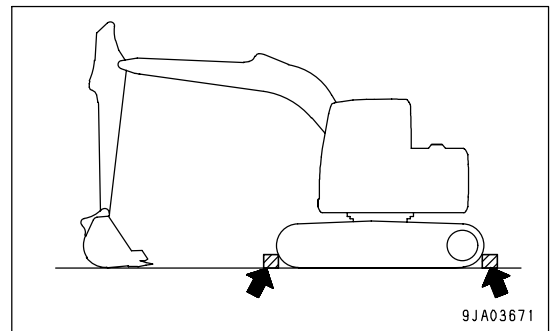
- Lower the work equipment completely to the ground and stop the engine before performing any inspection and maintenance.



- Turn the starting switch to ON position. Operate the work equipment control lever back and forth, left and right at the full stroke 2 to 3 times to eliminate the remaining internal pressure in the hydraulic circuit, and then move lock lever (1) to LOCK position (L).
- Check that the battery relay is off and main power is not conducted. (Wait for approximately 1 minute after turning off the engine starting switch key and press the horn switch. If the horn does not sound, it is not activated.)



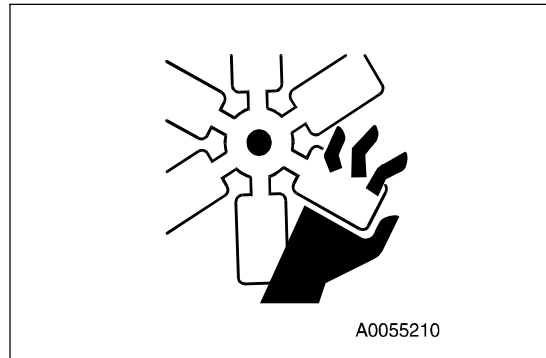
- Put blocks under the track to prevent the machine from moving.



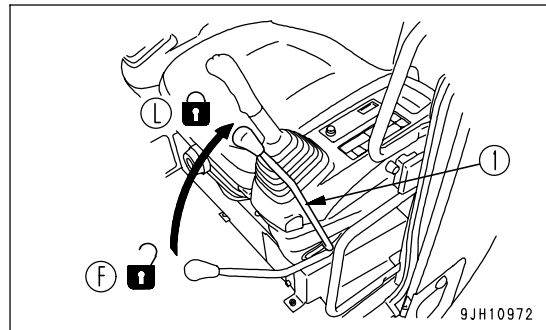
2 WORKERS FOR MAINTENANCE WHEN ENGINE IS RUNNING

To prevent personal injury, do not perform maintenance with the engine running. If maintenance must be performed with the engine running, perform the operation with at least 2 workers and observe the following.

- 1 worker must always sit in the operator’s seat and be ready to stop the engine at any time. All workers must maintain contact with the other workers.
- When performing operations near the fan, fan belt, or other rotating parts, there is a hazard of being caught in the parts, so be careful not to come close.
- Never drop or insert tools or other objects into the fan, fan belt, or other rotating parts. There is danger that they may contact the rotating parts and break or be sent flying.



- Release the remaining oil pressure from the hydraulic system, and place the lock lever (1) to its LOCK position (L). For releasing of the remaining oil pressure, see the "METHOD OF RELEASING PRESSURE IN HYDRAULIC CIRCUIT (PAGE 4-77)".
- Do not touch the control levers or pedals. If it is necessary to operate the control levers or pedals, always give a signal to your fellow workers and have them move to a safe place.



INSTALLING, REMOVING, OR STORING ATTACHMENTS

- Appoint a leader before starting removal or installation operations for attachments.
- Place attachments that have been removed from the machine in a stable condition so that they do not fall. And take steps to prevent unauthorized persons from entering the storage area.

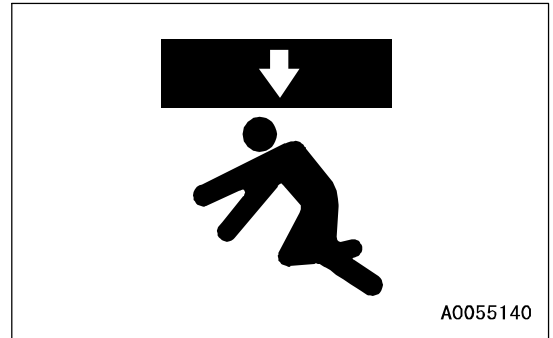


PRECAUTIONS WHEN WORKING AT HIGH PLACES

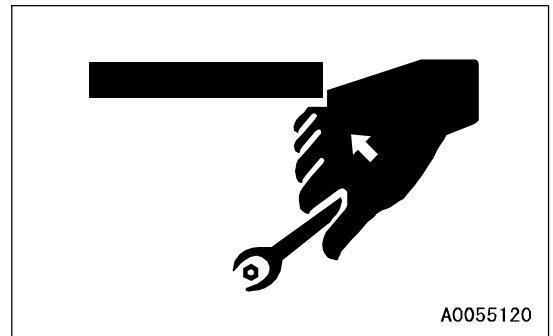
When working at high places, use a step ladder or other stand to ensure that the work can be performed safely.

PRECAUTIONS WHEN WORKING UNDER MACHINE OR WORK EQUIPMENT

- Make sure the hoists or hydraulic jacks you use are in good repair and strong enough to handle the weight of the component. Never use hydraulic jacks at places where the machine is damaged, bent, or twisted. Never use if the element wire of wire rope is frayed, twisted or pinched. Never use bent or distorted hooks.
- It is extremely dangerous to work under the machine if the track shoes are lifted off the ground and the machine is supported only with the work equipment. If any of the control levers is touched by accident, or there is damage occurring to the hydraulic piping, the work equipment or the machine will suddenly drop. This is extremely dangerous. Never work under the work equipment or the machine.
- If it is necessary to raise the work equipment or the machine and then go under it to perform inspection or maintenance, support the work equipment and machine securely with blocks and stands strong enough to support the weight of the work equipment and machine.
If the work equipment and machine are not supported, there is a hazard that they may come down and that this may lead to serious personal injury or death.
- Never use concrete blocks for supports. They can collapse under even light loads.

**PROPER TOOLS**

Use only tools suited to the task and be sure to use the tools correctly. Using damaged, deformed, or low quality tools, or making improper use of the tools may cause serious personal injury or death.



PRECAUTIONS FOR INSPECTION AND MAINTENANCE

PRECAUTIONS WHEN WELDING

Welding operations must always be performed by a qualified welder and in a place equipped with proper equipment. There is a hazard of gas, fire, or electrocution when performing welding, so never allow any unqualified personnel to perform welding.

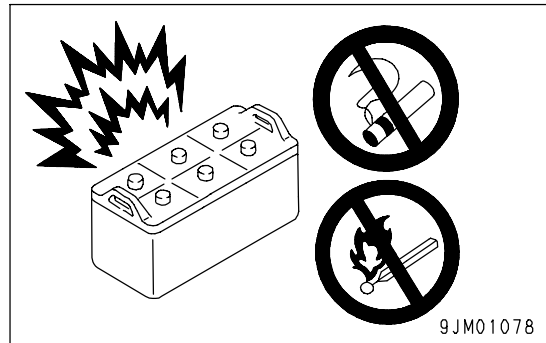
HANDLING BATTERY

Before inspecting or handling the battery, turn the key in the starting switch to OFF position.

- **Danger of battery exploding**

When the battery is being charged, flammable hydrogen gas is generated and may explode. In addition, the battery electrolyte includes dilute sulphuric acid. Any mistake in handling may cause serious personal injury or death, explosion, or fire, so always observe the following.

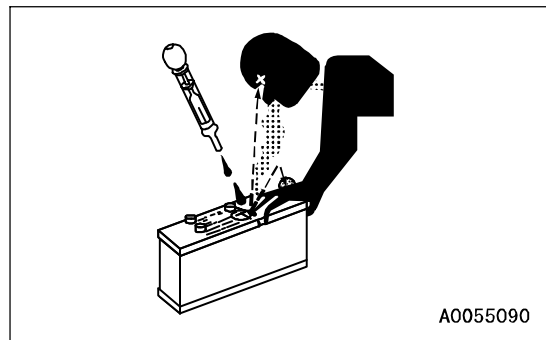
- Do not use or charge the battery if the battery electrolyte is below LOWER LEVEL mark. This will cause explosion. Always perform periodic inspection of the battery electrolyte level, and add distilled water (or commercially available battery filler solution) to UPPER LEVEL mark.
- Do not smoke or bring any open flame close to the battery.
- Hydrogen gas is generated when the battery is being charged, so remove the battery from the machine, take it to a well-ventilated place, remove the battery caps, then perform the charging.
- After charging, tighten the battery caps securely.



- **Danger from dilute sulphuric acid**

When the battery is being charged, flammable hydrogen gas is generated and may explode. In addition, the battery electrolyte includes dilute sulphuric acid. Any mistake in handling may cause serious personal injury or death, explosion, or fire, so always observe the following.

- When handling the battery, always wear protective eyeglasses and rubber gloves.
- If battery electrolyte gets into your eyes, immediately wash your eyes with large amounts of fresh water. After that, get medical attention immediately.
- If battery electrolyte gets on your clothes or skin, wash it off immediately with large amounts of water.



- **Removing battery cables**

Before repairing the electrical system or performing electric welding, turn the starting switch OFF. Wait for approximately 1 minute, then remove the negative (-) battery cable to stop the flow of electricity.

- **Danger of sparks**

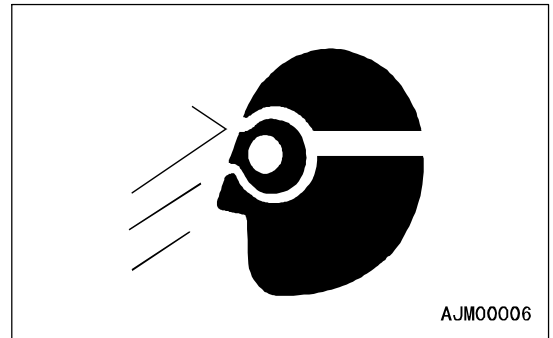
There is hazard that sparks will be generated, so always observe the following.

- Do not let tools or other metal objects make any contact between the battery cables. Do not leave tools lying around near the battery.
- When removing the battery cables, remove the ground cable (negative (-) cable) first. When installing, connect the positive (+) cable first, then connect the ground. Tighten the battery cable terminals securely.
- Secure the battery firmly in the specified position.

PRECAUTIONS WHEN USING HAMMER

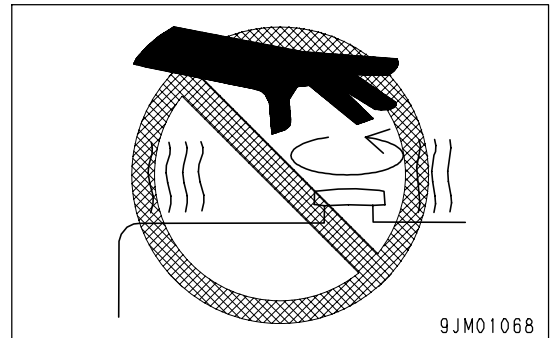
When using a hammer, pins may fly out or metal particles may be scattered. This may lead to serious personal injury or death. Always observe the following.

- When hitting pins or bucket teeth, there is a hazard that broken pieces might be sent flying and injure people in the surrounding area. Always check that there is no one in the surrounding area.
- If hard metal parts such as pins, bucket teeth, cutting edges, or bearings are hit with a hammer, there is a hazard that pieces might be scattered and cause serious personal injury or death. Always wear protective eyeglasses and gloves.
- If the pin is hit with strong force, there is a hazard that it may fly out and injure people in the surrounding area. Do not allow anyone to enter the surrounding area.



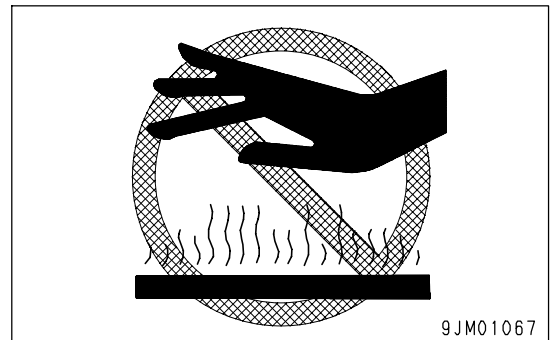
PRECAUTIONS WITH HIGH-TEMPERATURE COOLANT

To prevent burns from boiling water or steam spurting out when checking or draining the coolant, wait for the coolant to cool down to a temperature where the radiator cap can be touched by hand. Then loosen the cap slowly to release the pressure inside the radiator, and remove the cap.



PRECAUTIONS WITH HIGH-TEMPERATURE OIL

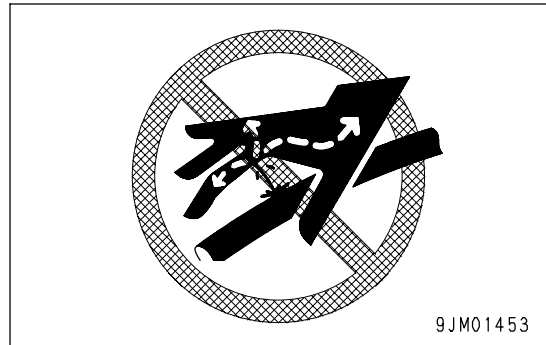
To prevent burns from hot oil spurting out or from touching high-temperature parts when checking or draining the oil, wait for the oil to cool down to a temperature where the cap or plug can be touched by hand. Then loosen the cap or plug slowly to release the internal pressure and remove the cap or plug.



PRECAUTIONS WITH HIGH-PRESSURE OIL

The hydraulic system is always under internal pressure. In addition, the fuel piping is also under internal pressure when the engine is running and immediately after the engine is stopped. When performing inspection or replacement of the piping or hoses, check that the internal pressure in the circuit has been released. If this is not done, it may lead to serious personal injury or death. Always observe the following.

- Do not perform inspection or replacement work with the circuit under pressure.
Always release the pressure before starting. For details, see "METHOD OF RELEASING PRESSURE IN HYDRAULIC CIRCUIT (PAGE 4-77)".
- If there is any leakage from the piping or hoses, the surrounding area will be wet, so check for cracks in the piping and hoses and for swelling in the hoses.
When perform inspection, wear protective eyeglasses and leather gloves.
- There is a hazard that high-pressure oil leaking from small holes may penetrate your skin or cause loss of sight if it contacts your skin or eyes directly. If you are hit by a jet of high-pressure oil and suffer injury to your skin or eyes, wash the place with clean water, and consult a doctor immediately for medical attention.

**PRECAUTIONS WITH HIGH-PRESSURE FUEL**

When the engine is running, high-pressure is generated in the engine fuel piping. When performing inspection or maintenance of the fuel piping system, stop the engine and wait for at least 30 seconds to allow the internal pressure to go down before starting the operation.

HANDLING HIGH-PRESSURE HOSES AND PIPING

- If oil or fuel leaks from high-pressure hoses or piping, it may cause fire or misoperation, and lead to serious personal injury or death. If the hose or piping mounts are loose or oil or fuel is found to be leaking from the mount, stop operations and tighten to the specified torque.
If any damaged or deformed hoses or piping are found, consult your Komatsu distributor.

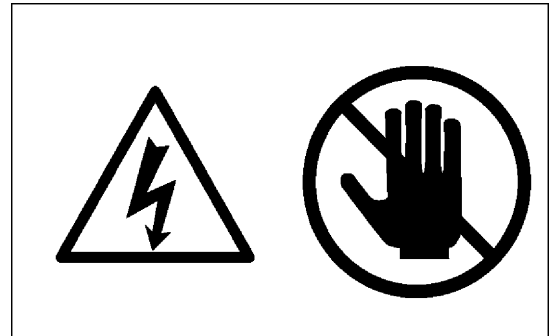
Replace the hose if any of the following problems are found.

- Damaged hose or deformed hydraulic fitting.
- Frayed or cut covering or exposed reinforcement wire layer.
- Covering swollen in places.
- Twisted or crushed movable portion.
- Foreign material embedded in covering.

PRECAUTIONS FOR HIGH VOLTAGE

When the engine is running and immediately after it is stopped, high voltage is generated inside the engine controller and the engine injector, and there is danger of electrocution. Never touch the inside of the controller or the engine injector portion.

If it is necessary to touch the inside of the controller or the engine injector portion, contact your Komatsu distributor.

**NOISE**

When performing maintenance of the engine and you are exposed to noise for long periods of time, wear ear covers or ear plugs while working.

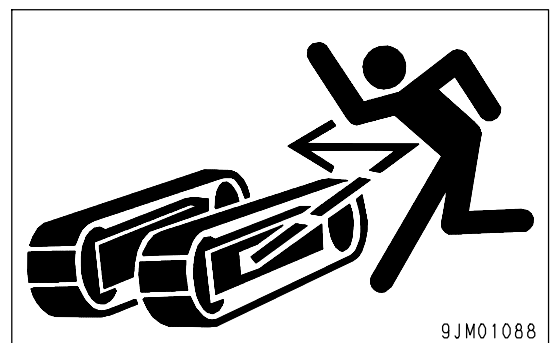
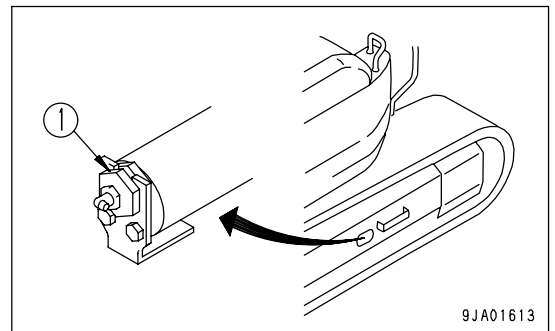
If the noise from the machine is too loud, it may cause temporary or permanent hearing problems.

PRECAUTIONS WITH HIGH-PRESSURE GREASE WHEN ADJUSTING TRACK TENSION

- Grease is pumped into the track tension adjustment system under high pressure.

If the specified procedure for maintenance is not followed when making adjustment, grease drain plug (1) may fly out and cause serious injury or property damage.

- When loosening grease drain plug (1) to loosen the track tension, never loosen it more than 1 turn. Loosen the grease drain plug slowly.
- Never put your face, hands, feet, or any other part of your body close to grease drain plug (1).

**DO NOT DISASSEMBLE RECOIL SPRING**

Never disassemble the recoil spring assembly. The recoil spring assembly has a powerful spring that acts to reduce the impact on the idler. If it is disassembled by mistake, the spring may shoot out and cause serious personal injury or death.

It is necessary to disassemble the recoil spring assembly, always ask your Komatsu distributor to perform the operation.

HANDLING ACCUMULATOR AND GAS SPRING

This machine is equipped with an accumulator. Even after the engine stops, the work equipment control levers can be operated for a short time in LOWER direction to allow the work equipment to go down under its own weight. After stopping the engine, set the lock lever to LOCK position.

The accumulator and gas spring are charged with high-pressure nitrogen gas. If the accumulator is handled mistakenly, it may cause an explosion that could lead to serious personal injury or death. For this reason, always observe the following.

- Do not disassemble the accumulator.
- Do not bring it near open flame or dispose of it in fire.
- Do not make holes in it, weld it, or use a cutting torch.
- Do not hit or roll the accumulator, or subject it to any impact.
- When disposing of the accumulator, the gas must be released. Ask your Komatsu distributor to have this work performed.



PRECAUTIONS WITH COMPRESSED AIR

- When performing cleaning with compressed air, there is a hazard of serious personal injury caused by flying dust or particles.
- When using compressed air to clean the filter element or radiator, wear protective eyeglasses, anti-dust mask, gloves, and other protective equipment.

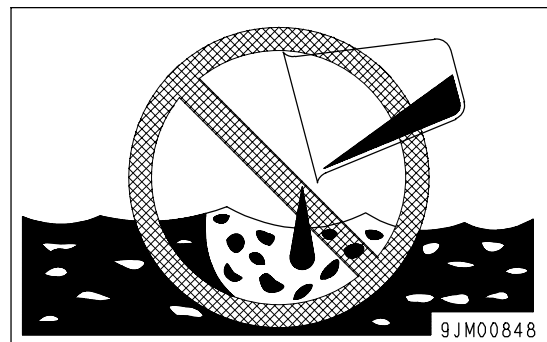
MAINTENANCE OF AIR CONDITIONER

- If air conditioner refrigerant gets into your eyes, it may cause loss of sight; if it contacts your skin, it may cause frostbite. Never loosen any parts of the cooling circuit.

DISPOSING OF WASTE MATERIALS

To prevent pollution, pay careful attention to the method of disposing of waste materials.

- Always put oil drained from your machine in containers. Never drain oil directly onto the ground or dump into the sewage system, rivers, the sea, or lakes.
- Obey appropriate laws and regulations when disposing of harmful objects such as oil, fuel, coolant, solvent, filters, and batteries.



MERCURY CONTAINING COMPONENT(S)

The monitor display backlight contains mercury. The machine may be equipped with optional High Intensity Discharge lighting lamps which also may contain mercury. These components must be reused, recycled or properly disposed of in accordance with applicable Local, State and Federal Laws.

METHOD OF SELECTING WINDOW WASHER FLUID

Use an ethyl alcohol base washer liquid.

Methyl alcohol base washer liquid may irritate your eyes, so do not use it.

PERIODIC REPLACEMENT OF SAFETY CRITICAL PARTS

- To enable this machine to be used safely for a long period, always perform periodic replacement of safety critical parts that have a particularly close relation to safety, such as hoses and the seat belt.
For details of the replacement of safety critical parts, see "SAFETY CRITICAL PARTS (PAGE 4-13)".
- The material of these components naturally changes over time, and repeated use causes deterioration, wear, and fatigue. As a result, there is a hazard that these components may fail and cause serious personal injury or death. It is difficult to judge the remaining life of these components from external inspection or the feeling when operating, so always replace them at the specified interval.
- Replace or repair safety critical parts if any defect is found, even when they have not reached the specified replacement time.

TURN OFF THE BATTERY DISCONNECT SWITCH

In the following cases, turn the starting switch to OFF position and check that the system operating lamp is not lit. Then set the battery disconnect switch to OFF position, and remove the switch key. Performing the inspection of the battery or handling the battery without having set the battery disconnect switch to OFF position may cause serious personal injury or death by electric shock.

- When storing the machine for a long time (more than 1 month)
- When repairing the electrical system
- When performing electric welding
- When handling the battery
- When replacing the fuse

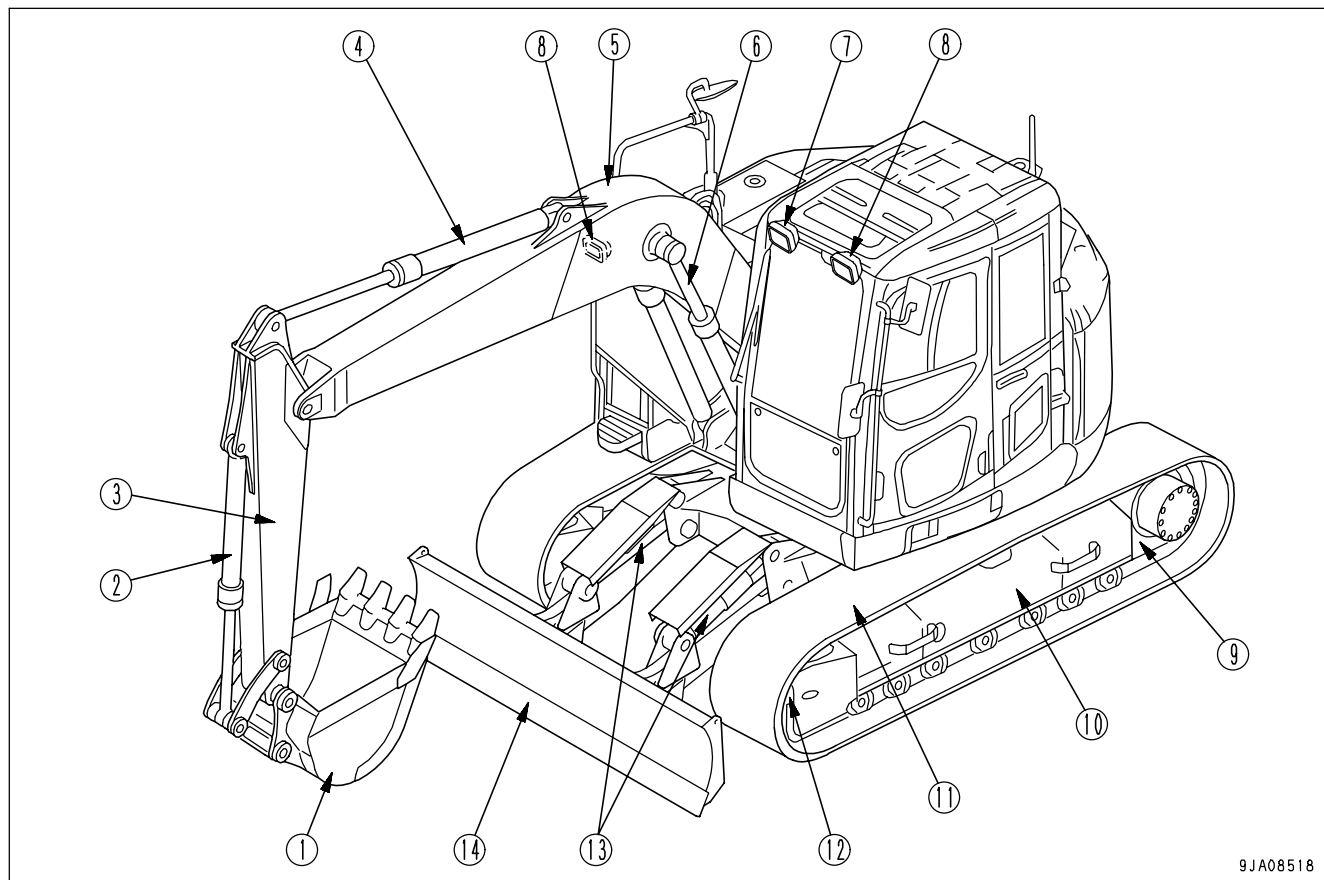
OPERATION

WARNING

Please read and make sure that you understand the SAFETY section before reading this section.

MACHINE VIEW ILLUSTRATIONS

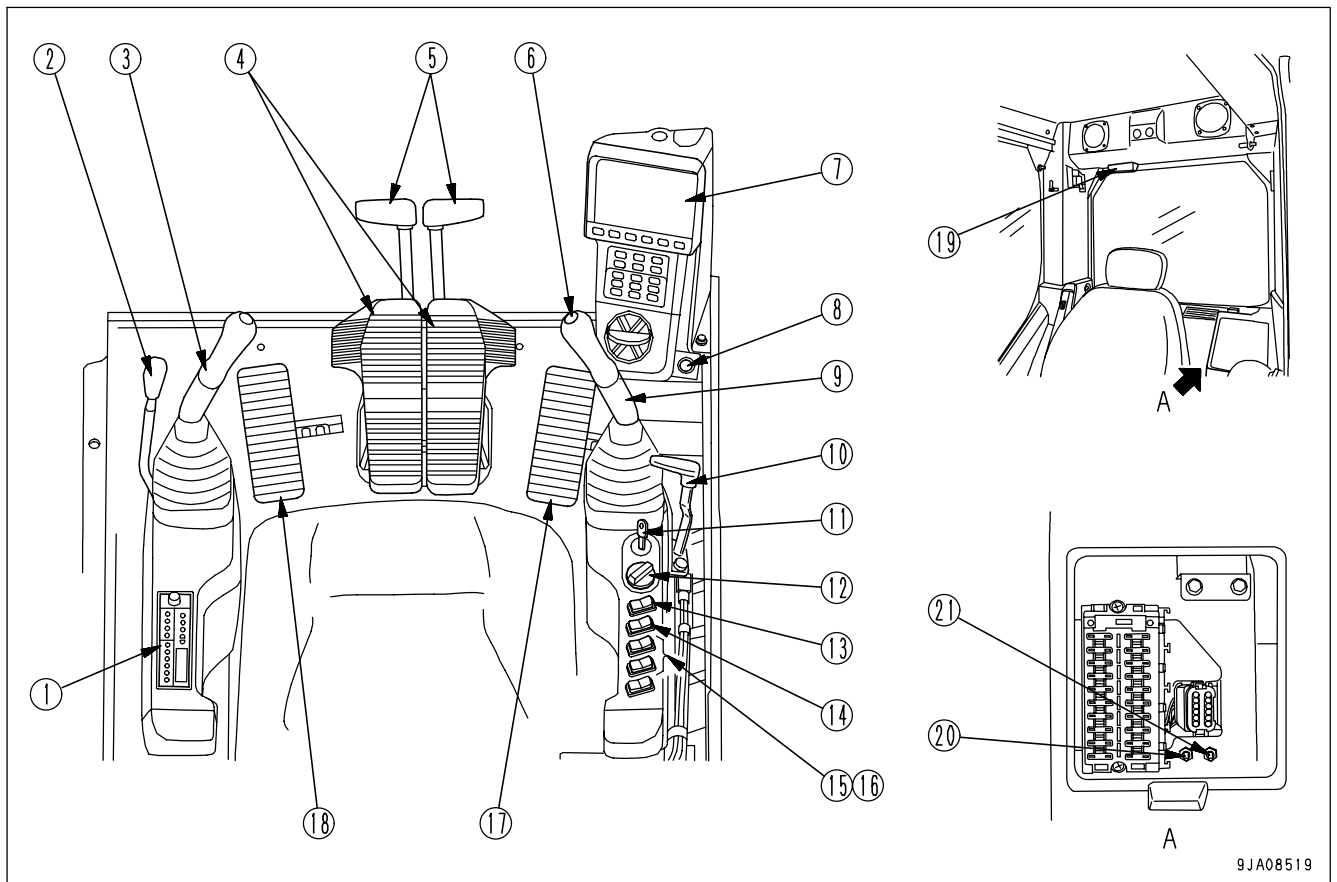
OVERALL MACHINE VIEW



9JA08518

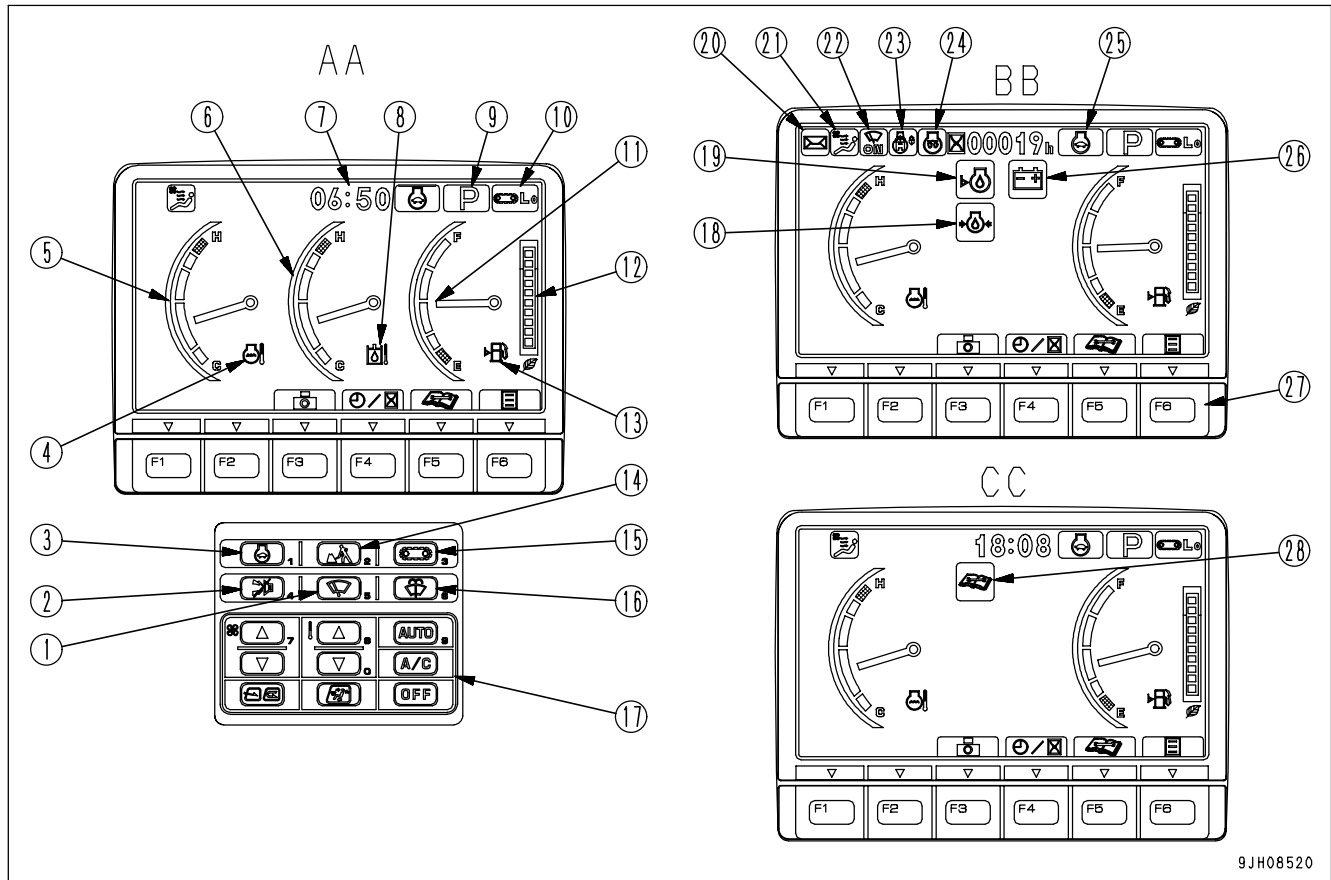
- | | |
|-----------------------------------|---|
| (1) Bucket | (8) Working lamp |
| (2) Bucket cylinder | (9) Sprocket |
| (3) Arm | (10) Track frame |
| (4) Arm cylinder | (11) Track shoe |
| (5) Boom | (12) Idler |
| (6) Boom cylinder | (13) Blade cylinder (blade specification) |
| (7) Additional lamp (if equipped) | (14) Blade (blade specification) |

CONTROLS AND GAUGES



- | | |
|--|--|
| (1) Radio | (12) Fuel control dial |
| (2) Lock lever | (13) Lamp switch |
| (3) Left work equipment control lever | (14) Swing lock switch |
| (4) Travel pedals | (15) Revolving warning lamp switch (if equipped) |
| (5) Travel levers | (16) Roof glass wiper switch (if equipped) |
| (6) Horn switch | (17) Attachment control pedal (if equipped) |
| (7) Machine monitor | (18) Attachment control pedal (if equipped) |
| (8) Cigarette Lighter | (19) Room Lamp Switch |
| (9) Right work equipment control lever | (20) Emergency pump drive switch |
| (10) Blade control lever (blade specification) | (21) Swing parking brake release switch |
| (11) Starting switch | |

Machine monitor



9JH08520

AA: Screen for standard

BB: Screen with all lamps lit

CC: Maintenance time warning screen

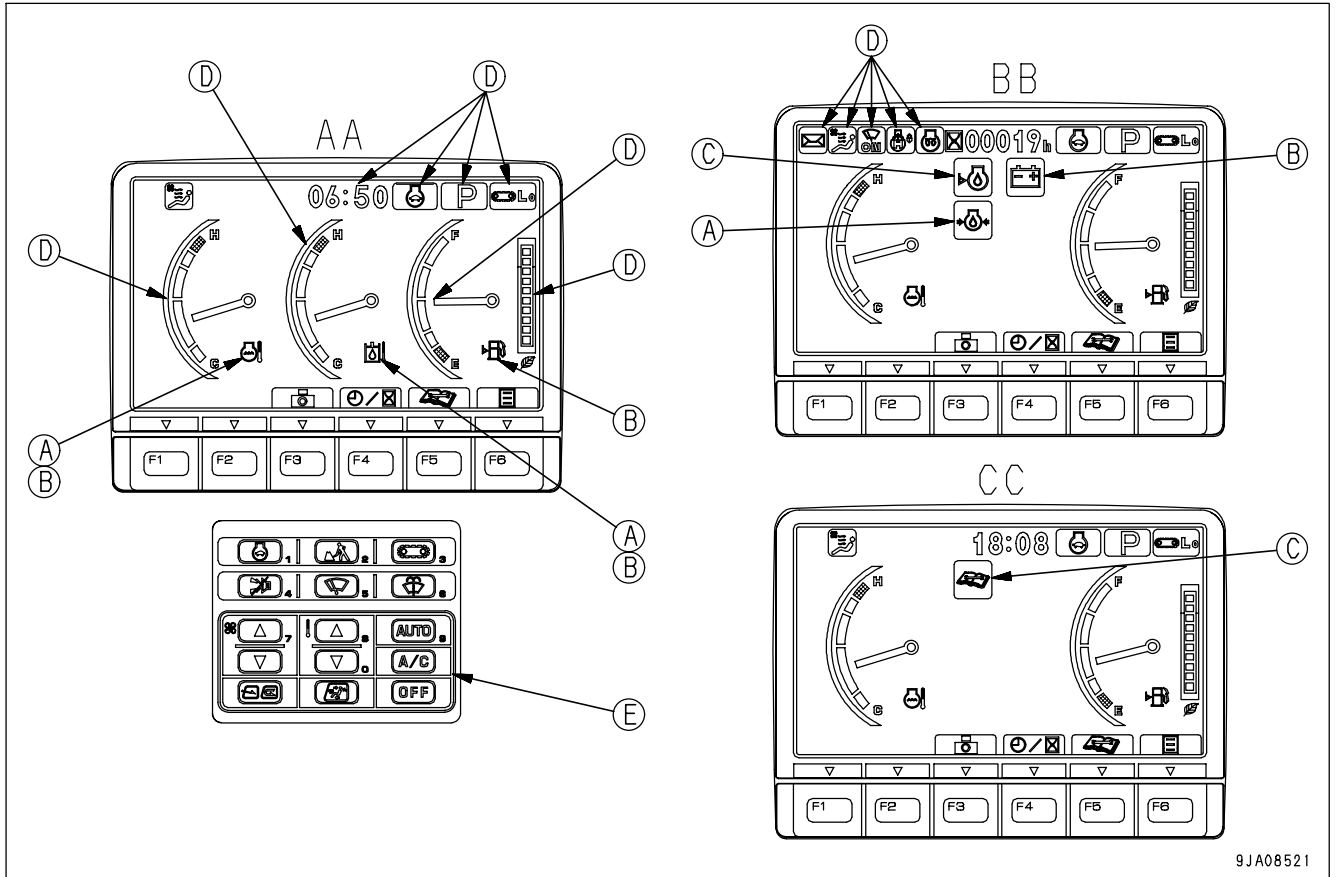
- | | |
|--|---------------------------------------|
| (1) Wiper switch | (15) Travel speed selector switch |
| (2) Buzzer cancel switch | (16) Window washer switch |
| (3) Auto-deceleration switch | (17) Air conditioner control switches |
| (4) Engine coolant temperature monitor | (18) Engine oil pressure monitor |
| (5) Engine coolant temperature gauge | (19) Engine oil level monitor |
| (6) Hydraulic oil temperature gauge | (20) Message monitor |
| (7) Service meter, Clock | (21) Air conditioner monitor |
| (8) Hydraulic oil temperature monitor | (22) Wiper monitor |
| (9) Working mode monitor | (23) Swing lock monitor |
| (10) Travel speed monitor | (24) Engine pre-heating monitor |
| (11) Fuel gauge | (25) Auto-deceleration monitor |
| (12) ECO gauge | (26) Charge level monitor |
| (13) Fuel level monitor | (27) Function switches (F1 to F6) |
| (14) Working mode selector switch | (28) Maintenance due time monitor |

DETAILED CONTROLS AND GAUGES

The following is an explanation of devices needed for operating the machine.

To perform suitable operations correctly and safely, it is important to completely understand methods of operating the equipment, and the meanings of the displays.

MONITORING SYSTEM



9JA08521

- AA: Screen for standard
- BB: Screen with all lamps lit
- CC: Maintenance time warning screen

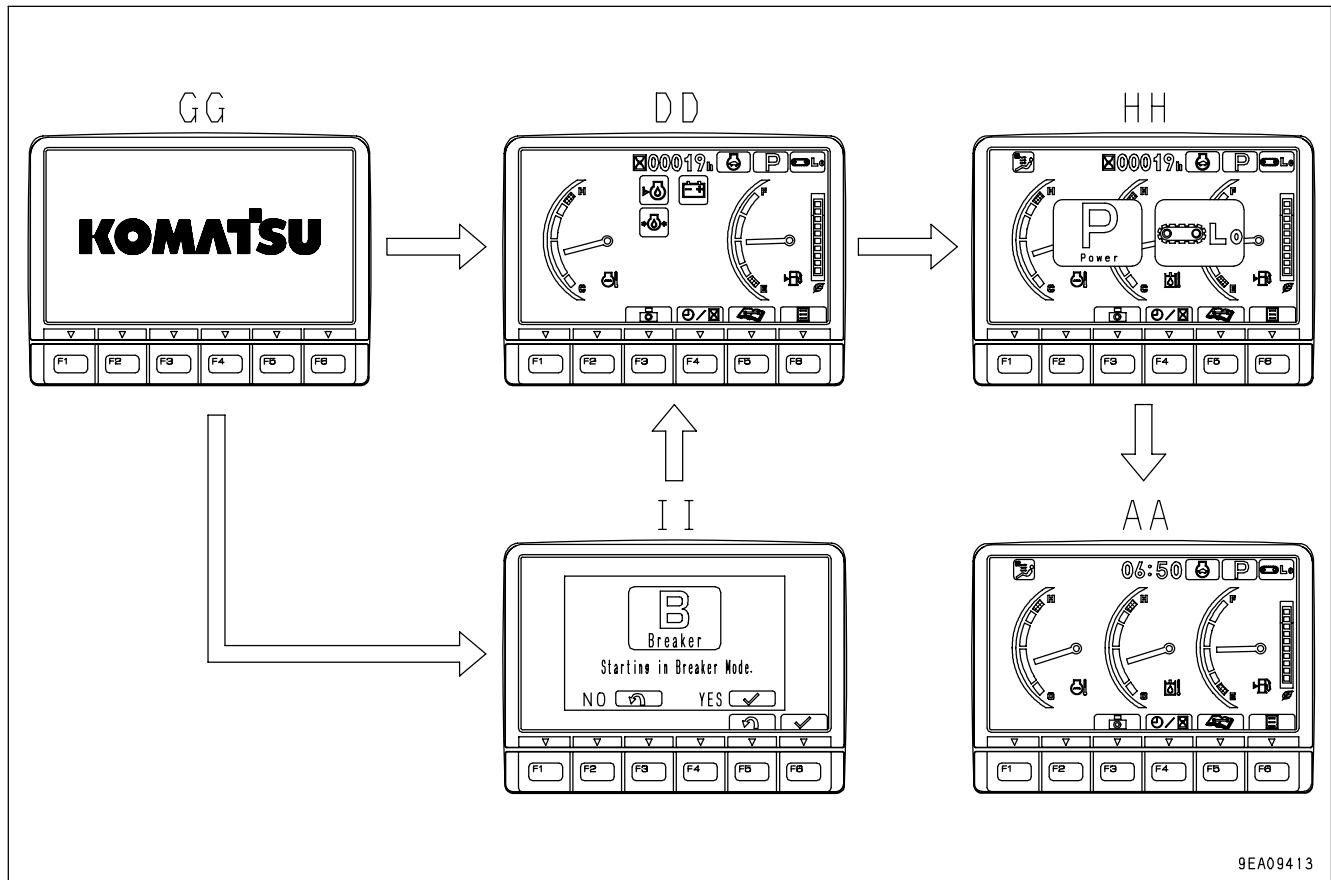
- (A) Emergency monitors
- (B) Caution monitors
- (C) Basic check monitors
- (D) Meter display portion, pilot display
- (E) Monitor switches portion

REMARK

One of the features of liquid crystal display panels is that there may be black spots (spots that do not light up) or white spots (spots that stay lit) on the screen. If there are fewer than 10 black or white spots, this is not a failure or a defect.

Basic Operation of Machine Monitor

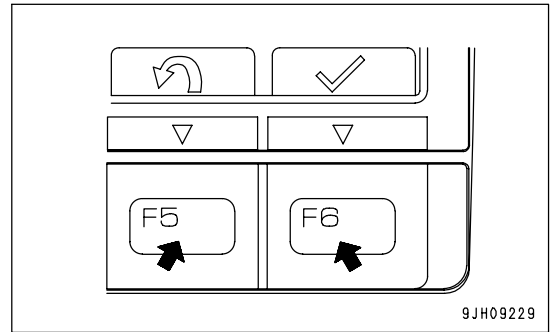
Starting Engine When Situation is Normal



9EA09413

- When the starting switch is turned to ON position, the opening screen GG is displayed.
- After the opening screen GG is displayed for 2 seconds, the screen switches to the check before starting screen DD.
- After the check before starting screen DD is displayed for 2 seconds, the screen switches to the working mode/travel mode display screen HH.
- After the working mode/travel mode display screen HH is displayed for 2 seconds, the screen switches to standard screen AA.
- If the working mode when the engine is started is B mode, the opening screen GG is displayed for 2 seconds, and the screen then switches to the breaker mode confirmation screen II.

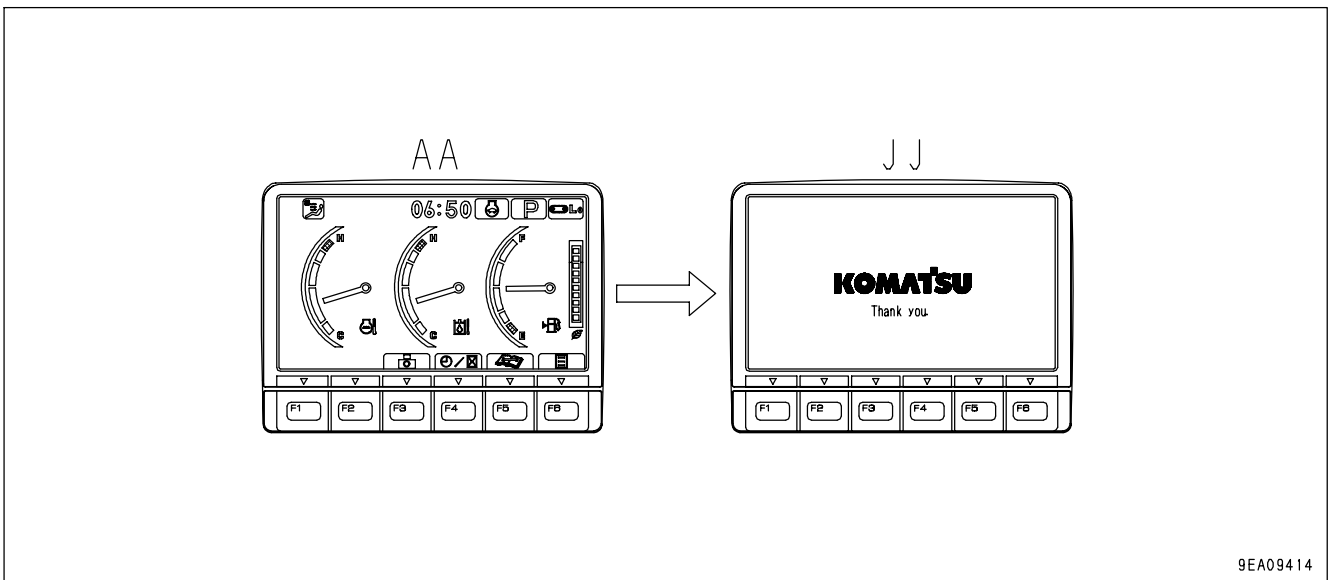
When starting in B mode, press switch F6. If you do not want to start B mode, press switch F5. In this case, the system starts with E mode.



REMARK

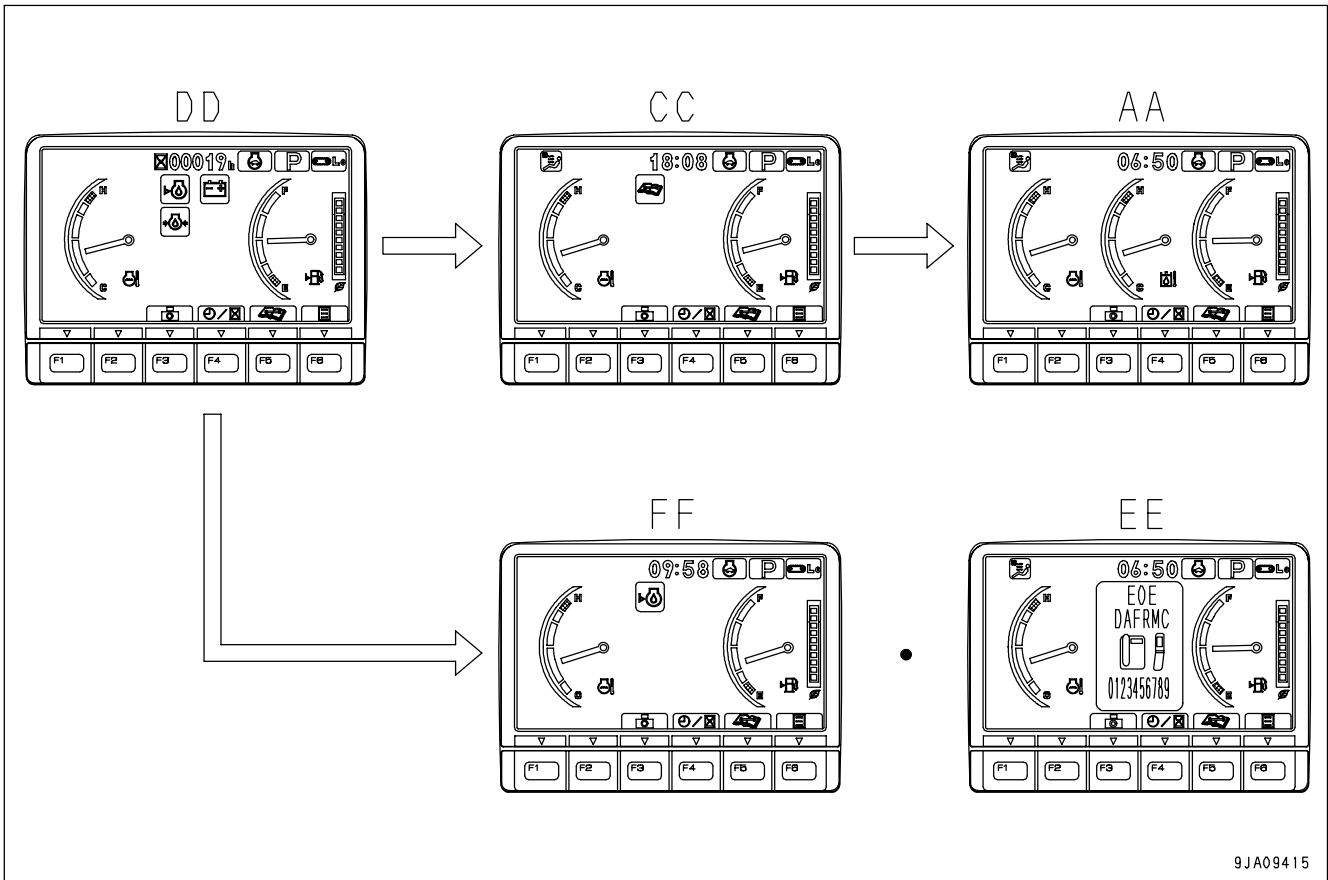
When the engine is started, the battery voltage may suddenly drop depending on the temperature and the battery condition. If this happens, the display on the machine monitor may momentarily go out, but this does not indicate any abnormality.

Stopping Engine When Situation is Normal



- When the starting switch is turned to OFF position, ending screen JJ is displayed for 5 seconds, then the display goes out.

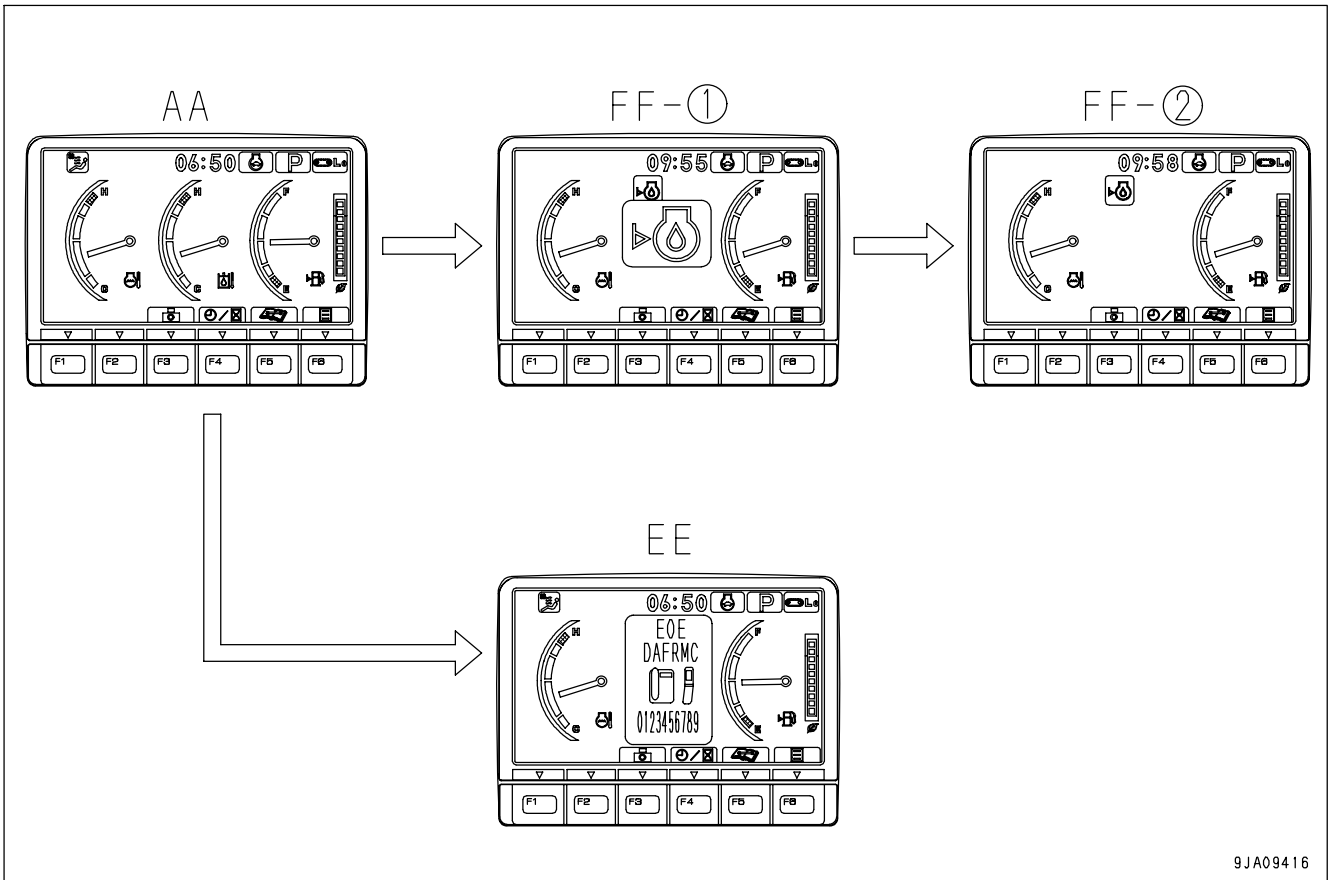
If There Is Abnormality When Starting Engine



9JA09415

- If there is any abnormality when starting the engine, the check before starting screen DD changes to the maintenance time warning screen CC, warning screen FF, or error screen EE.
- After displaying the check before starting screen DD for 2 seconds, the screen changes to the maintenance time warning screen CC.
- After displaying the maintenance time warning screen CC for 30 seconds, the screen returns to the standard screen AA.
- After displaying the check before starting screen DD for 2 seconds, the screen changes to the warning screen FF or error screen EE.

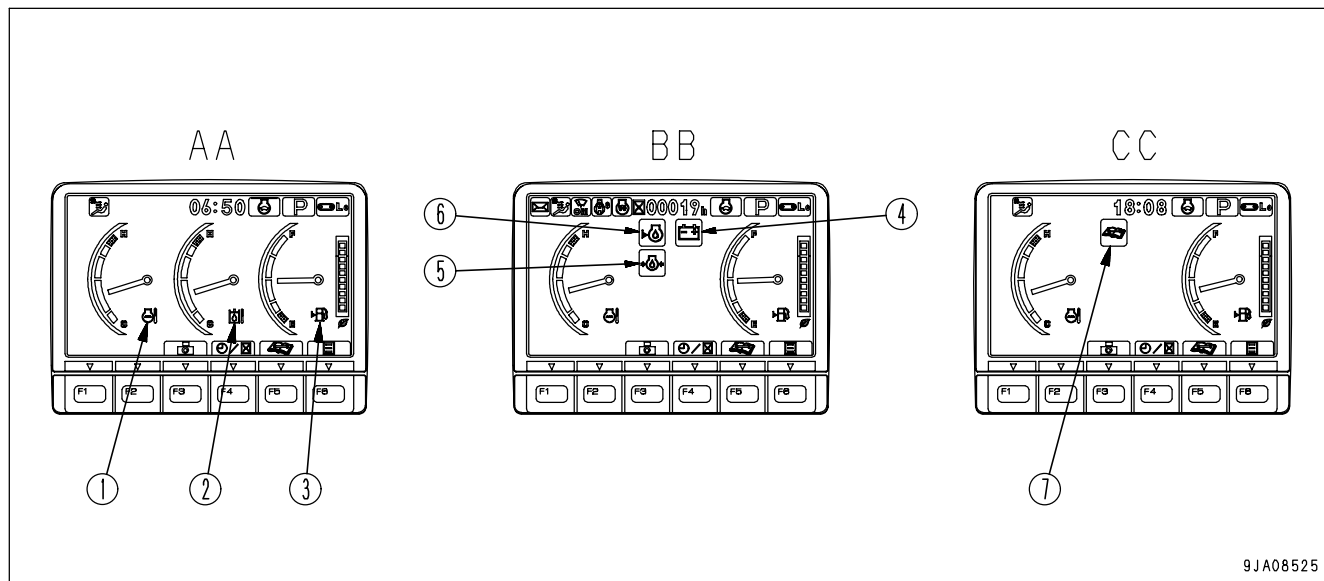
If Any Abnormality Occurs During Operation



- If any abnormality occurs during operation, the standard screen AA changes to warning screen FF-(1) or the error screen EE.
- After displaying warning screen FF-(1) for 2 seconds, the screen automatically changes to warning screen FF-(2).

REMARK

The colors lighting up the monitors related to the emergency stop items, caution items, and basic check items are as follows.



9JA08525

AA: Screen for standard

BB: Screen with all lamps lit

CC: Maintenance time warning screen

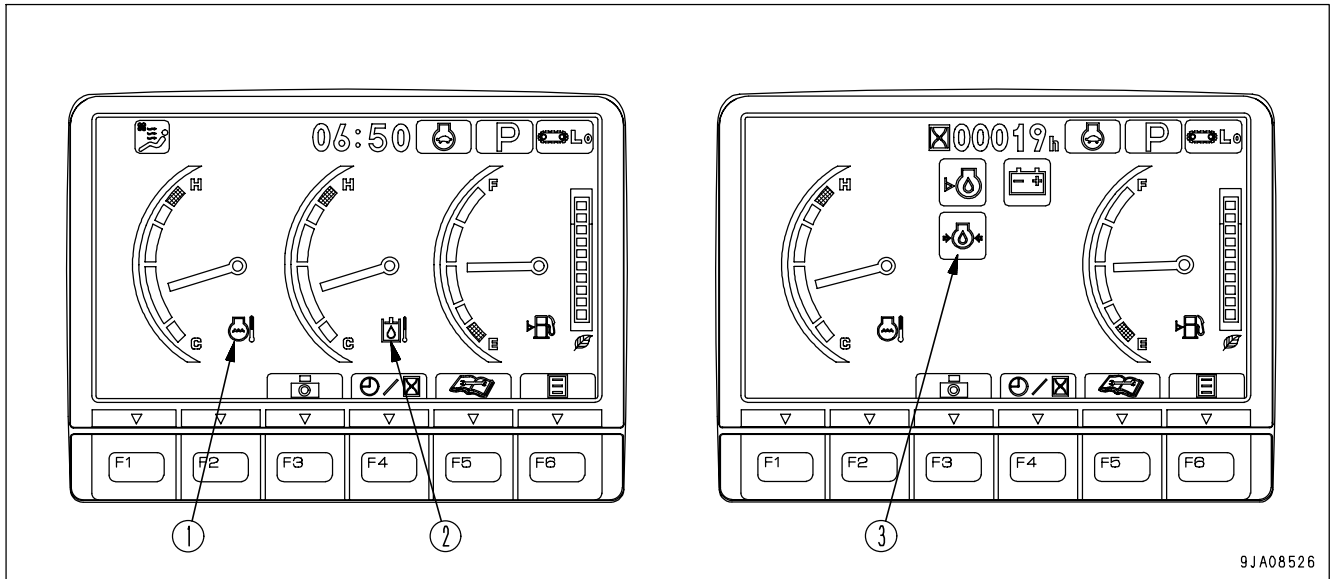
	Type of monitor	Color when monitor lights up		
		When normal	When abnormal	At low temperature
(1)	Engine coolant temperature monitor	Blue	Red	White
(2)	Hydraulic oil temperature monitor	Blue	Red	White
(3)	Fuel level monitor	Blue	Red	-
(4)	Charge level monitor	OFF	Red	-
(5)	Engine oil pressure monitor	OFF	Red	-
(6)	Engine oil level monitor	OFF	Red	-
(7)	Maintenance due time monitor	OFF	Red	-

Emergency Monitors

⚠ CAUTION

If the monitor lights up in red, stop the engine immediately or run at Low idle (MIN), check applicable location, then perform necessary actions.

These items should be observed while the engine is running. If there is a problem, the monitor for the abnormal location lights up in red and buzzer sounds, perform action immediately.



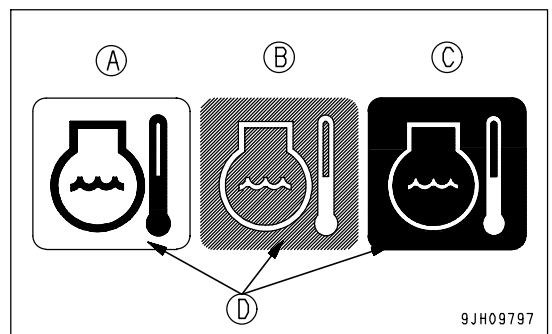
- (1) Engine coolant temperature monitor
- (2) Hydraulic oil temperature monitor
- (3) Engine oil pressure monitor

Engine Coolant Temperature Monitor

Monitor (1) warns operator that the engine coolant temperature has risen.

If the engine coolant temperature becomes abnormally high, the monitor shows abnormal display (C). The overheat prevention system is automatically actuated and the engine speed drops. Stop operations and run the engine at Low idle (MIN) until monitor (1) shows normal display (B).

- Display (A) at low temperatures: Monitor background (D) is white
- Display (B) at correct temperatures: Monitor background (D) is blue
- Display (C) when condition is abnormal: Monitor background (D) is red



Hydraulic Oil Temperature Monitor

This monitor (2) warns the operator that the hydraulic oil temperature has risen.

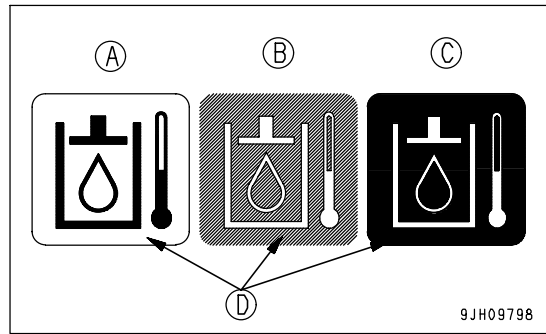
If the hydraulic oil temperature becomes abnormally high, abnormality display (C) is shown.

Stop operations and stop the engine or run it at Low idle (MIN) until the monitor changes to normal display (B).

Display (A) at low temperatures: Monitor background (D) is white

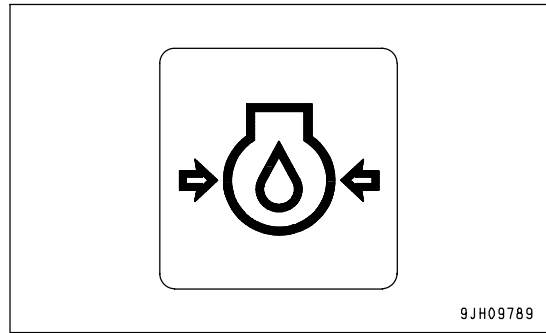
Display (B) at correct temperatures: Monitor background (D) is blue

Display (C) when condition is abnormal: Monitor background (D) is red



Engine Oil Pressure Monitor

Monitor (3) lights up in red if the engine lubrication oil pressure goes below normal level. If monitor lights up in red, stop the engine immediately, check the lubrication system and level of oil in the engine oil pan.



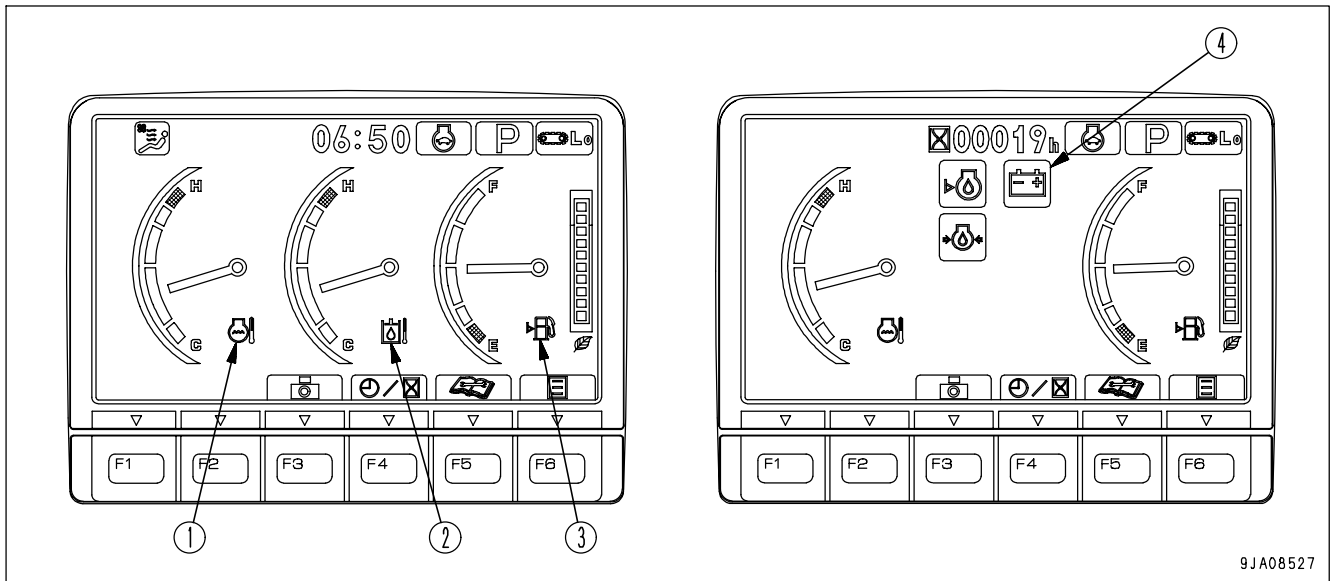
Caution Monitors

! CAUTION

If the warning monitor lights up in red, stop operations as soon as possible and perform inspection and maintenance of the applicable location. If the warning is ignored, it may lead to failure.

These are items that should be observed while the engine is running. If any abnormality occurs, the screen displays the item that needs immediate action.

If there is an abnormality, the monitor for the abnormal location lights up in red.



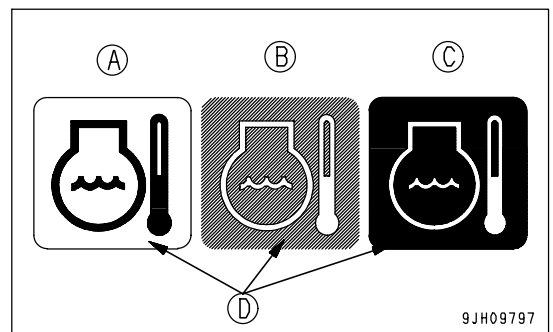
- (1) Engine coolant temperature monitor
- (2) Hydraulic oil temperature monitor
- (3) Fuel level monitor
- (4) Charge level monitor

Engine Coolant Temperature Monitor

If this monitor (1) shows low-temperature display (A), perform the warm-up operation. For details, see "Engine Warm Up (PAGE 3-143)".

Monitor (1) will show normal display (B), so perform the warm-up operation for the engine.

If this monitor (1) shows abnormality display (C), do not suddenly stop the engine. Stop operations and run the engine at low idle until monitor (1) gives display (B) for the correct temperature.



Display (A) at low temperatures: Monitor background (D) is white
 Display (B) at correct temperatures: Monitor background (D) is blue

Display (C) when condition is abnormal: Monitor background (D) is red

Hydraulic Oil Temperature Monitor

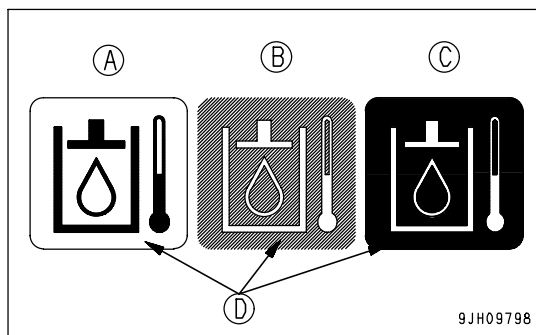
If this monitor (2) shows low-temperature display (A), perform the warm-up operation. For details, see "Hydraulic Equipment Warm Up (PAGE 3-145)".

Perform the warm-up operation for the hydraulic equipment until monitor (2) shows normal display (B).

Display (A) at low temperatures: Monitor background (D) is white

Display (B) at correct temperatures: Monitor background (D) is blue

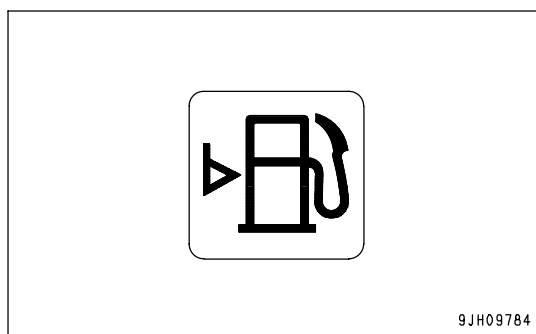
Display (C) when condition is abnormal: Monitor background (D) is red



Fuel Level Monitor

This monitor (3) lights up to warn that the operator that the level in the fuel tank is low.

When the remaining fuel level reaches approx. 33 liters (8.72 US gal), the monitor lamp lights up red, so add fuel as soon as possible.

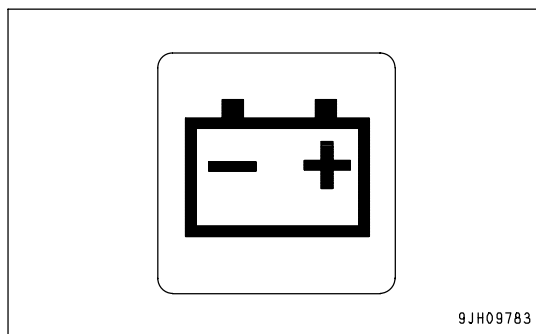


Charge Level Monitor

This monitor (4) warns the operator that there is an abnormality in the charging system when the engine is running.

If the battery is not being charged properly while the engine is running, monitor lights up in red.

If monitor lights up in red, check the V-belt for looseness. If any abnormality is found, perform the necessary actions. For details, see "OTHER TROUBLE (PAGE 3-206)".



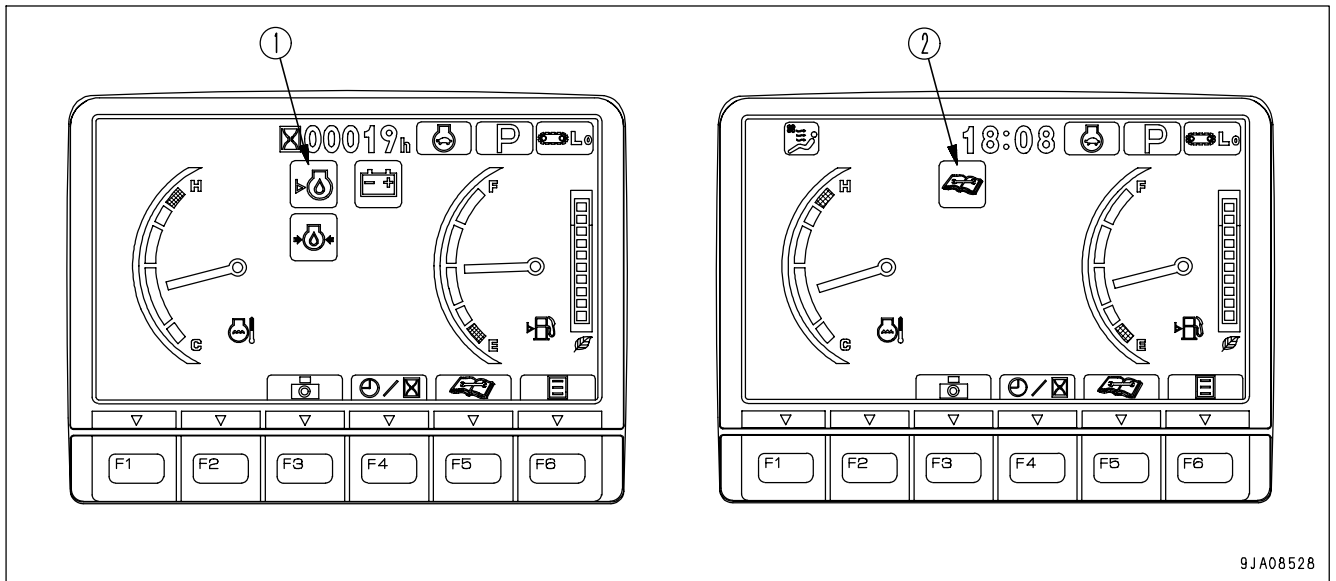
Basic Check Monitors

 **CAUTION**

These monitors do not guarantee the condition of the machine.

Do not simply rely on the monitor when performing checks before starting (daily inspection). Always get off the machine and check each item directly.

Displays basic items among the check before starting items that must be checked before starting the engine. If there is any abnormality, monitor for the location of abnormality will light up in red.



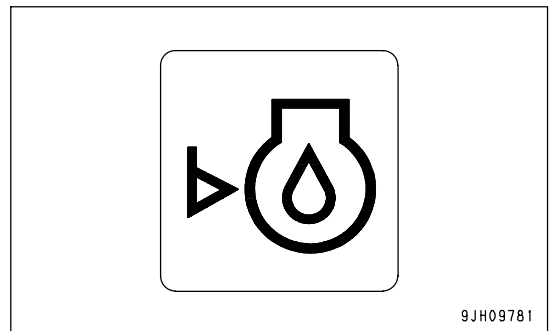
(1) Engine oil level monitor

(2) Maintenance due time monitor

Engine Oil Level Monitor

Monitor (1) warns the operator that the oil level in the engine oil pan has dropped.

If oil level in the engine oil pan is low, the lamp lights up in red, so check the oil level, and add oil.



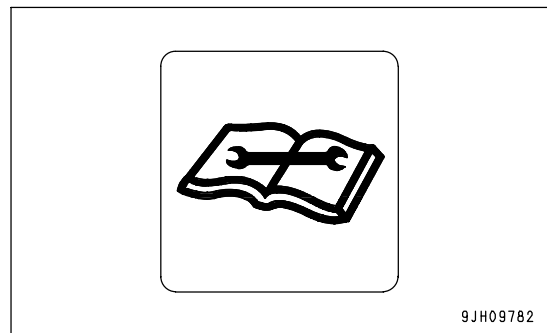
9JH09781

Maintenance Time Monitor

This monitor (2) lights up when the maintenance time gets close and remains lighted after the maintenance time has already passed.

- Lit in yellow: The maintenance time is due within 30 hours.
- Lit in red: The maintenance time has already passed.

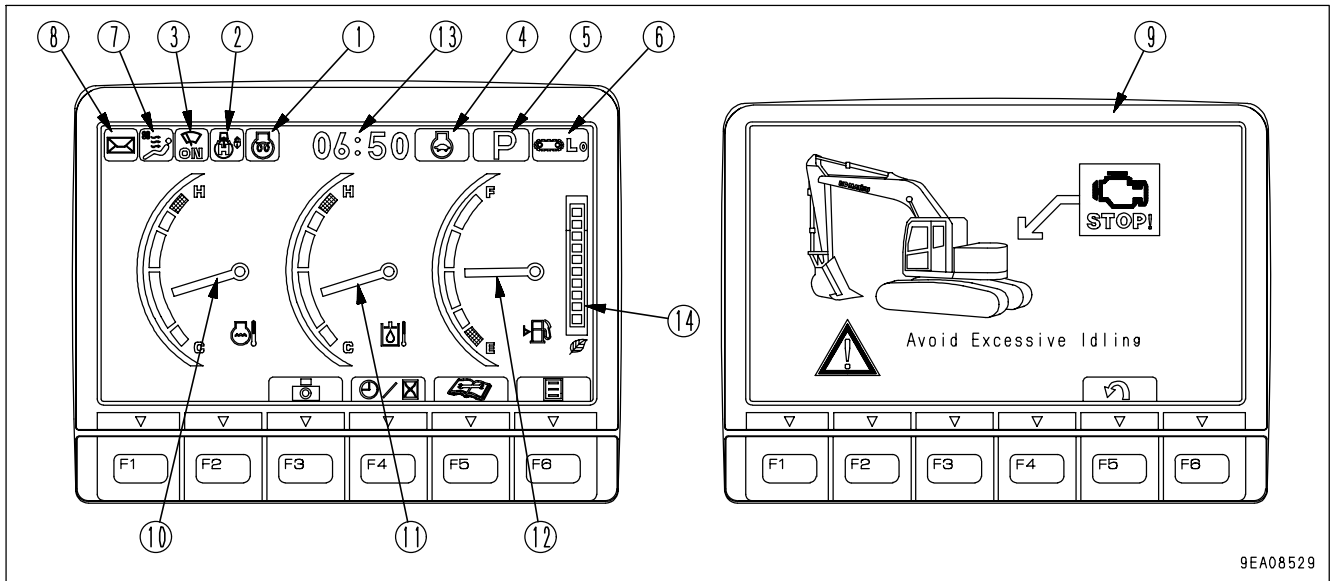
This monitor lights up when the starting switch is turned to ON position. It goes off after 30 seconds and the display changes to the normal screen.



REMARK

- For details of the method of confirming the maintenance time, see "Maintenance Selector Switch (PAGE 3-38)".
- If it is desired to change settings for the maintenance time, have your Komatsu distributor change the settings.

Meter Display Portion



Pilot display

- (1) Engine pre-heating monitor
- (2) Swing lock monitor
- (3) Wiper monitor
- (4) Auto-deceleration monitor
- (5) Working mode monitor
- (6) Travel speed monitor
- (7) Air conditioner monitor
- (8) Message monitor
- (9) Idle stop guidance

Gauge and Meter

- (10) Engine coolant temperature gauge
- (11) Hydraulic oil temperature gauge
- (12) Fuel gauge
- (13) Service meter, clock
- (14) ECO gauge

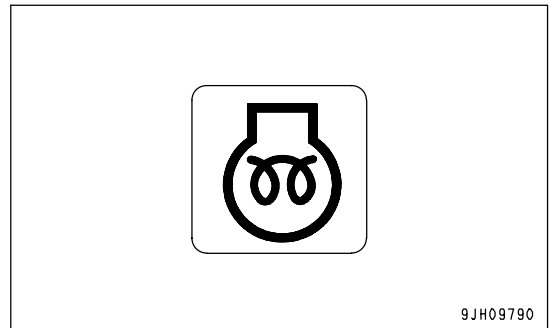
Pilot Display

- The pilot display at the top of the screen consists of the pilot lamps to confirm the actuation of each function.
- When the starting switch is turned ON, the pilot lamp lights up when the display items are functioning.

Engine Preheating Monitor

This monitor (1) is displayed when preheating the engine before starting the engine in temperatures below 0°C (32°F).

In cold weather, when the starting switch is turned to the HEAT position, the preheating monitor lights up. After lighting up for approx. 30 seconds, it starts to flash to inform the operator that the preheating has been completed. After flashing for approx. 10 seconds, the monitor goes out.



9JH09790

Swing Lock Monitor

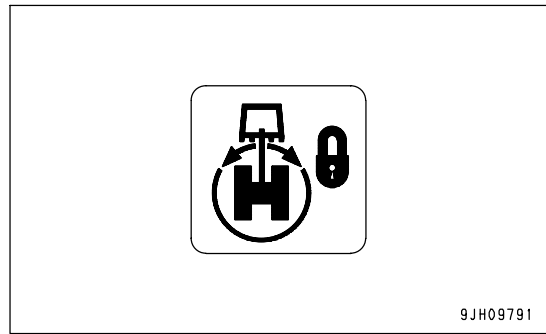
This monitor (2) informs the operator that the swing lock is being actuated.

Actuated: Lights up

When the swing lock switch is turned ON (ACTUATED), the monitor lamp lights up.

This lamp lights up when the swing parking brake cancel switch is set to FREE position.

- For details of the positions of the swing parking brake cancel switch, see "CONTROLS AND GAUGES (PAGE 3-3)".



REMARK

The swing motor is equipped with a disc brake that mechanically stops the rotation. When the swing lock monitor is lit, the brake remains applied.

Wiper Monitor

Monitor (3) indicates operating status of the wiper.

The monitor display when wiper switch is operated, as follows.

When ON lights up: Wiper moves continuously

When INT lights up: Wiper moves intermittently

OFF: Wiper stops

- For details of the positions of the wiper switch, see "CONTROLS AND GAUGES (PAGE 3-3)".



Auto-deceleration Monitor

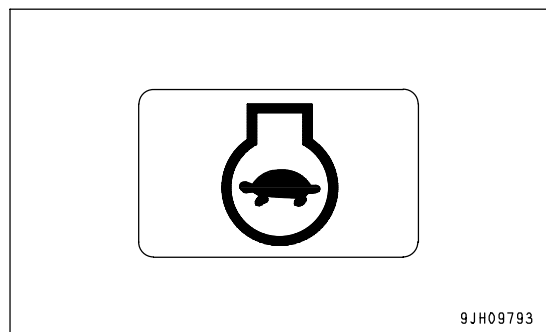
Monitor (4) shows if the auto-deceleration is being actuated.

The monitor display when auto-deceleration switch is operated, as follows.

Auto-deceleration monitor ON: Auto-deceleration actuated

Auto-deceleration monitor OFF: Auto-deceleration canceled

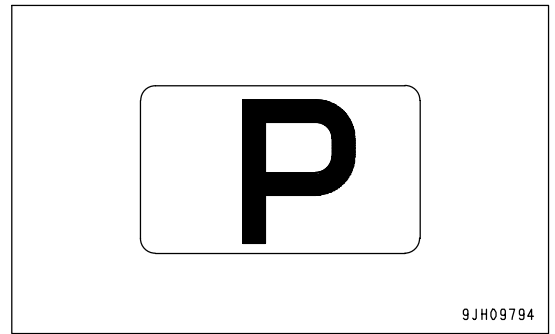
- For details of the positions of the auto-deceleration switch, see "CONTROLS AND GAUGES (PAGE 3-3)".



Working Mode Monitor

This monitor (5) displays the setting of the working mode.
The monitor display is as follows according to the operation of the working mode switch.

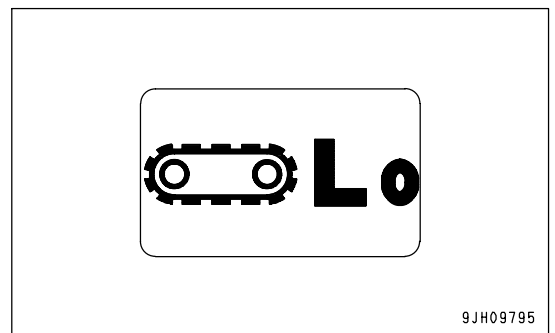
- P: P mode (for heavy-load operations)
- E: E mode (for operations with emphasis on fuel consumption)
- L: L mode (for fine control operations)
- B: B mode (for breaker operations)
- ATT: ATT mode (for crusher operations)
- For details of the positions of the working mode switch, see "CONTROLS AND GAUGES (PAGE 3-3)".



Travel Speed Monitor

This monitor (6) shows the setting for the travel speed.
The monitor display is as follows according to the operation of the travel speed selector switch.

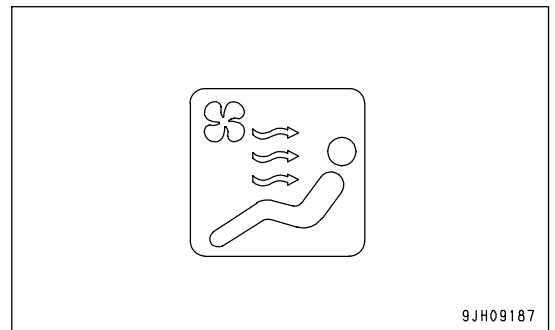
- Lo: Low-speed travel
- Hi: High-speed travel
- For details of the positions of the travel speed selector switch, see "CONTROLS AND GAUGES (PAGE 3-3)".



Air Conditioner Monitor

This monitor (7) displays the working status of the air conditioner.

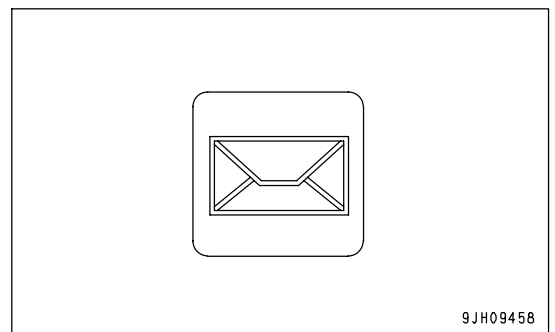
- Monitor is lit: Air conditioner ON
- Monitor off: Air conditioner OFF



Message Monitor

This monitor (8) lights up to inform the operator that a message has been received from Komatsu.
To read the message, see "Message Display (PAGE 3-55)" for details.

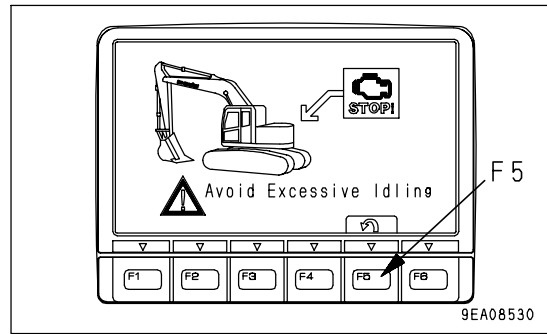
- Lighted up in green: There is unread message
- Lighted up in blue: There is message awaiting reply
- OFF: There are no messages



Idle Stop Guidance

If the levers are not operated for more than 5 minutes, and the engine is at idle, the idle stop message is displayed on the monitor. When waiting for work or stopping work for a short periods, stop the engine to reduce unnecessary fuel consumption.

- The idle stop message screen returns to the standard screen any lever is operated again or when function switch F5 (Back) is pressed.

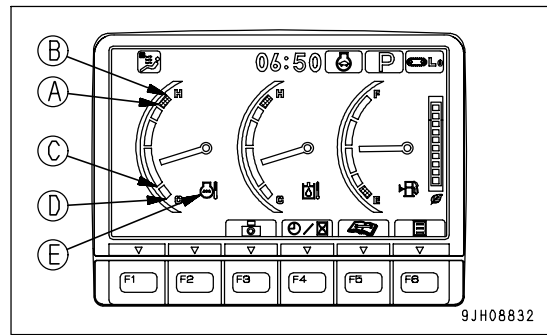


Gauges and Meter

Engine Coolant Temperature Gauge

This meter (10) shows the engine coolant temperature. During normal operations, the indicator should be in the green range. If the indicator goes beyond red range (A) during operations, the overheat prevention system is actuated.

- (A) to (B): Red range
- (A) to (C): Green range
- (C) to (D): White range



The overheat prevention system is actuated as follows.

Red range (A) position: Engine coolant temperature monitor (E) shows abnormality display (red)

Red range (B) position: Engine speed changes to idle, engine coolant temperature monitor (E) shows abnormality display (red), alarm buzzer sounds at same time

The overheat prevention system continues to work until the indicator enters the green range.

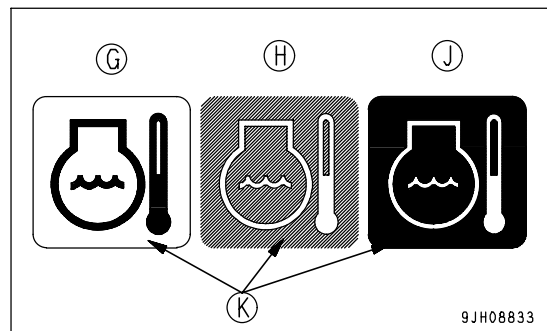
When the engine is started, if the indicator is at position (C), engine coolant temperature monitor (E) shows the low-temperature display.

If this happens, perform the warm-up operation. For details, see "Engine Warm Up (PAGE 3-143)".

Display (G) at low temperatures: Monitor background (K) is white

Display (H) at correct temperatures: Monitor background (K) is blue

Display (J) when condition is abnormal: Monitor background (K) is red



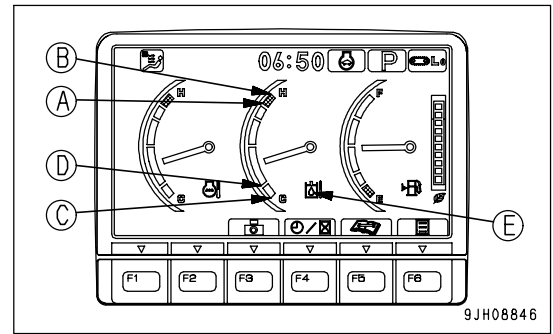
Hydraulic Oil Temperature Gauge

This meter (11) shows the hydraulic oil temperature.

During normal operations, the indicator should be in the green range.

If the indicator enters the red range (A) during operations, the hydraulic oil temperature is 102°C (215.6°F) or more. Run the engine at Low idle (MIN) or stop it and wait for the hydraulic oil temperature to go down.

- (A) to (B): Red range
- (A) to (D): Green range
- (D) to (C): White range



REMARK

When the indicator reaches red range (A), the hydraulic oil temperature is as follows.

Red range (A) position: 102°C (215.6°F) or more

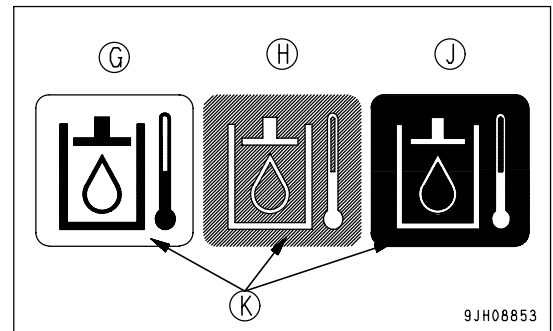
Red range (B) position: 105°C (221°F) or more

When the indicator is in red range (A) to (B), hydraulic oil temperature monitor (E) shows the abnormality display. When the engine is started, if the indicator is at position (C) and the hydraulic oil temperature is 20°C (68°F), hydraulic oil temperature monitor (E) shows the low-temperature display. If this happens, perform the warm-up operation. For details, see "Hydraulic Equipment Warm Up (PAGE 3-145)".

Display (G) at low temperatures: Monitor background (K) is white

Display (H) at correct temperatures: Monitor background (K) is blue

Display (J) when condition is abnormal: Monitor background (K) is red

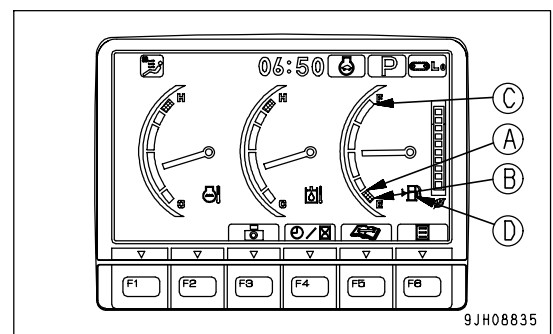


Fuel Gauge

This meter (12) shows the amount of fuel remaining in the fuel tank. During normal operations, the indicator should be in the green range.

If the indicator starts to enter red range (A) during operation, there is less than 52 liters (13.74 US gal) of fuel remaining, so carry out inspection and add fuel.

- (A) to (B): Indicates red range
- (A) to (C): Indicates green range



REMARK

When the indicator reaches red range (B), there is less than 33 liters (8.72 US gal) of fuel remaining.

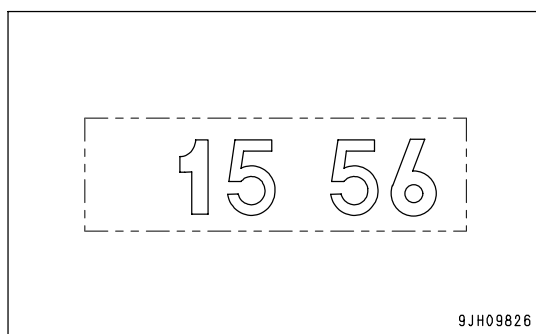
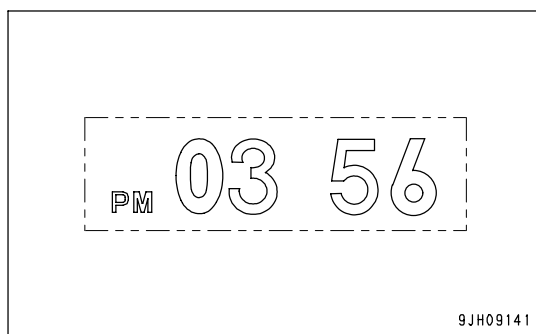
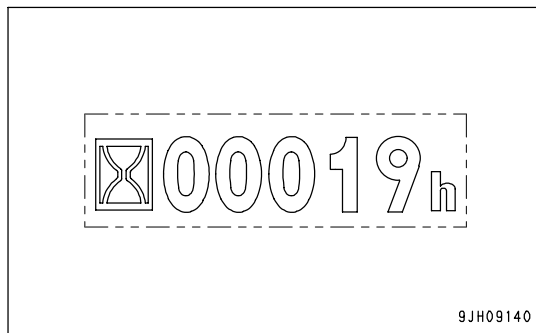
When the indicator is in red range (B), fuel level monitor (D) lights up red.

The correct fuel level may not be displayed for a short time when the starting switch is turned ON, but this is not an abnormality.

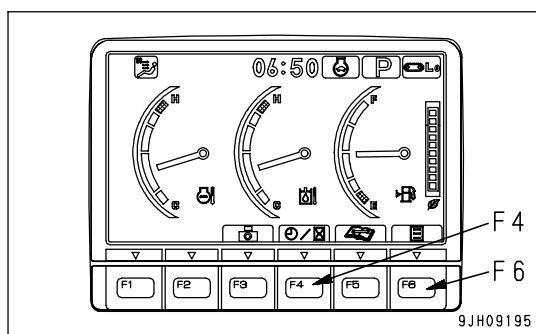
Service Meter, Clock

This meter (13) shows the total hours of operation of the machine or the present time.

When the engine is running, the service meter advances even if the machine is not moving. The service meter advances 1 for every hour that the machine is working, regardless of the engine speed.



- When the standard screen is being displayed, if function switch F4 is pressed, it is possible to switch between the clock display and the service meter display.
- Clock display (12-hour or 24-hour displays are available)
To set or correct the time, press function switch F6 (user mode switch).

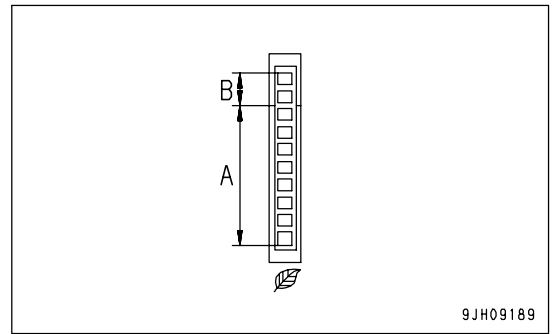


ECO Gauge

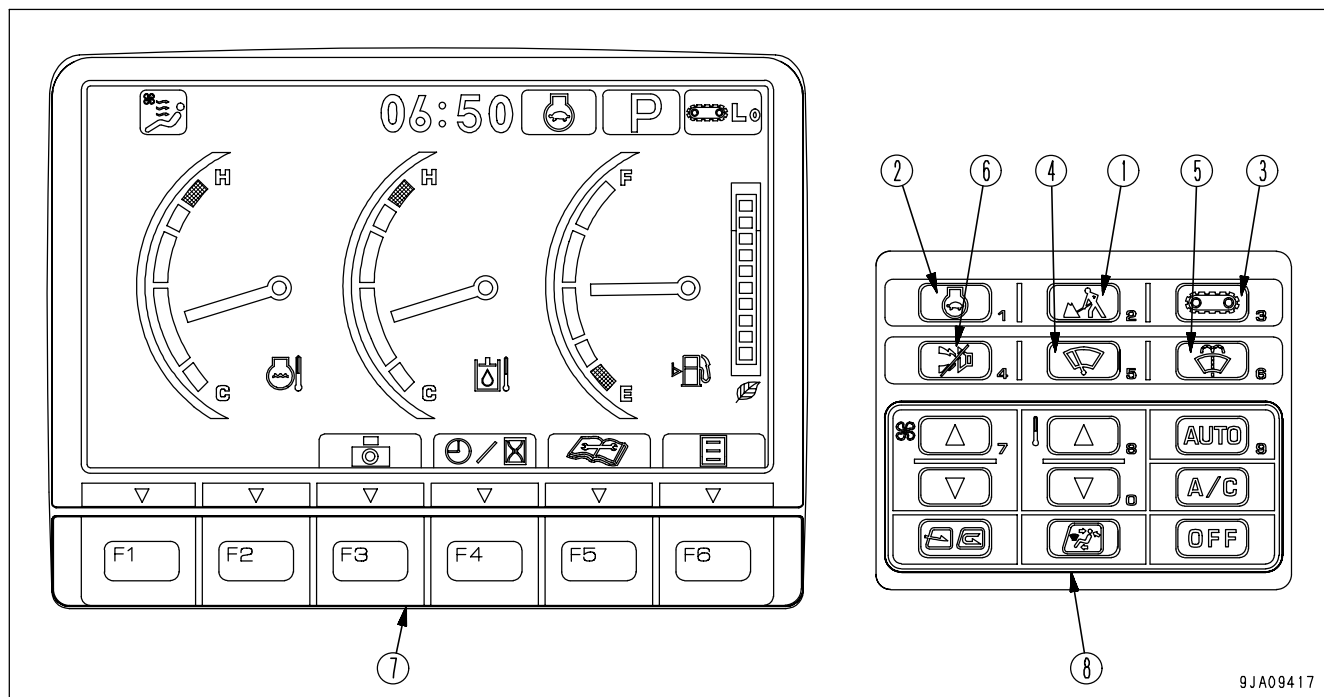
This gauge (14) shows the working load state.

When the gauge is in green range A, the work load is light to medium. When the gauge is in orange range B, the load is heavy.

- When the gauge enters the orange range, there is no abnormality on the machine, but to protect the environment, reduce the engine output to a point where there is no adverse effect on the operation. Generally, perform energy-saving operations in the green range. Reducing the frequency of travel also helps to save energy. Consider the best way of saving energy.



Monitor Switches Portion



- (1) Working mode selector switch
- (2) Auto-deceleration switch
- (3) Travel speed selector switch
- (4) Wiper switch

- (5) Window washer switch
- (6) Buzzer cancel switch
- (7) Function switches
- (8) Air conditioner switch

Working Mode Selector Switch

Use this switch (1) to set the movement or power of the work equipment.

The operation becomes easier if the mode is selected to match the content of the operation.

P mode: For heavy-load operations

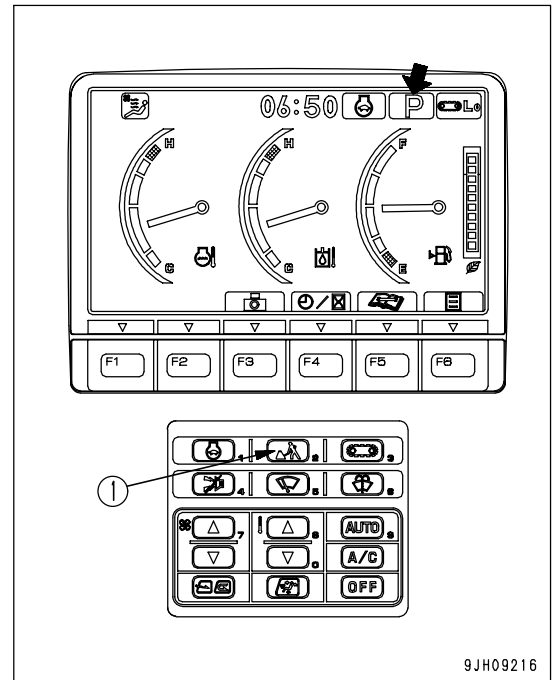
E mode: For operation with emphasis on fuel consumption

L mode: For fine control operations

B mode: For breaker operations

ATT mode: For double-acting circuit attachment, such as crusher (attachment-ready machines)

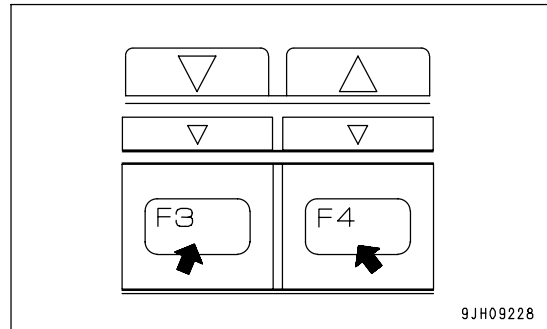
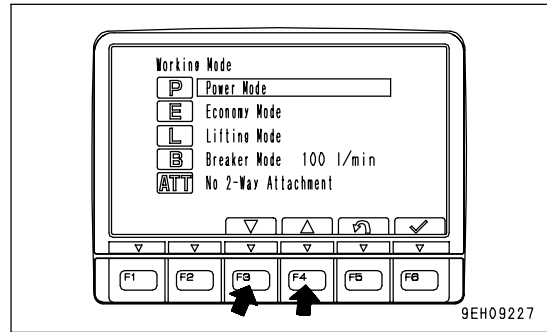
- When the monitor first appears, it is automatically set to the mode in use when it was started the previous time.
- Press switch (1) to display the working mode selection screen. For each set mode, the pilot monitor at the top right of the monitor display shows P, E, L, B, ATT.



- For machines ready for attachment, the attachment mode is added to the display. For details of the method for handling machines ready for attachment, see the ATTACHMENTS AND OPTIONS Section.
- If you want to have automatic setting of the P, E, L, B or ATT mode when starting (optional default setting), ask your Komatsu distributor to change the setting.

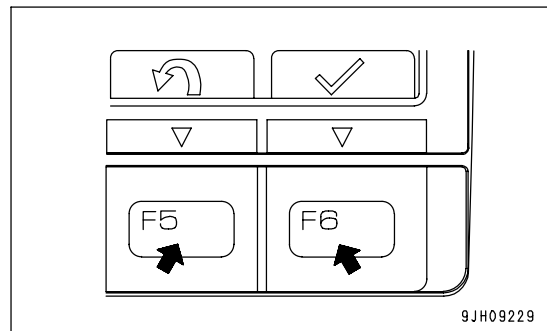
Procedure for operation

1. If working mode selector switch (1) is pressed, the Working Mode screen is displayed on the monitor.
 2. Press function switches F3 or F4 at the bottom of the screen or working mode selector switch (1) to change the mode selection one at a time.
- If no switch is touched for more than 5 seconds, the selected working mode is automatically set as the working mode and the screen changes to steps 3 and steps 4.

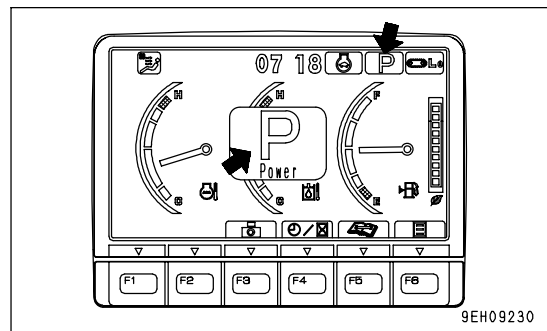


REMARK

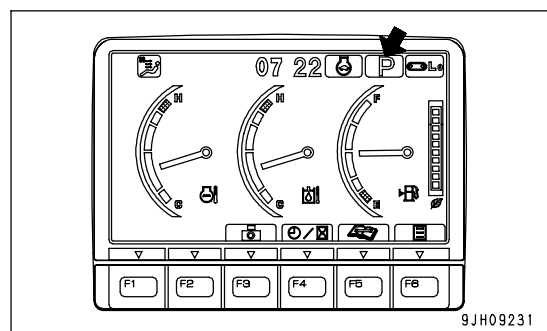
To return to the standard screen without changing the working mode, press function switch F5.



3. After selecting the desired mode, press function switch F6 and the mode is displayed in the center of the monitor display. (Example: If power mode is selected: P)
4. After 2 seconds, the pilot monitor display at the top right of the screen is highlighted in orange.



- After 2 seconds, the screen returns to the standard screen. The monitor display highlighted in orange in steps 4 returns to blue.



Auto-deceleration Switch

If the control levers are at neutral, this switch (2) automatically lowers the engine speed and turns on the function to reduce fuel consumption.

Auto-deceleration monitor ON: Auto-deceleration ON

Auto-deceleration monitor OFF: Auto-deceleration OFF

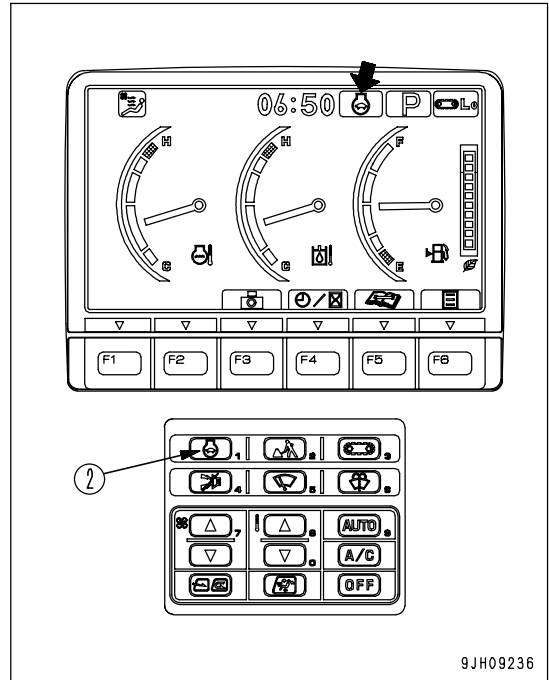
Each time the switch is pressed, the auto-deceleration is switched between ON and OFF.

- Auto-deceleration function

When the auto-deceleration function is ON, if the work equipment control and travel levers are returned to N position, the engine speed will drop after 4 seconds from the operating speed to idle speed.

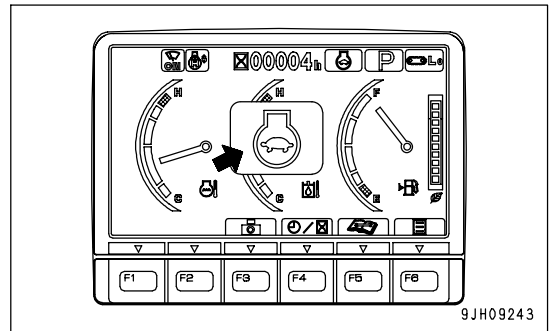
This makes it possible to reduce fuel consumption.

If any lever is operated when the machine is in this condition, engine speed will return to the previous operating speed to make it possible to perform operations.



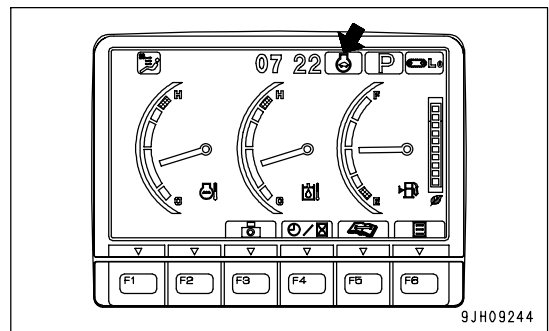
9JH09236

1. When auto-deceleration switch (2) is pressed and the auto-deceleration function is turned ON, the mode is displayed in the center of the monitor display, and after 2 seconds, the screen returns to the standard screen.



9JH09243

2. On the standard screen, the Auto-deceleration monitor lights up.
(When the auto-deceleration is OFF, it does not light up.)



9JH09244

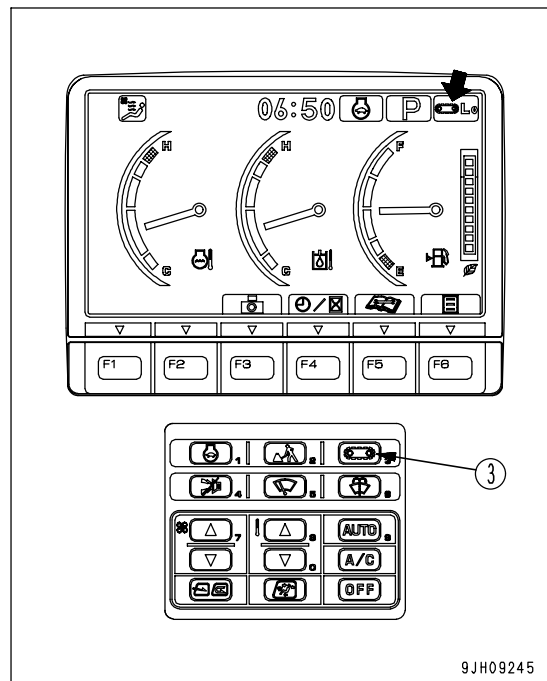
Travel Speed Selector Switch

WARNING

- When loading or unloading the machine on a trailer, always travel at low speed (set to Lo). Never operate the travel speed selector switch when traveling.
- If the Hi-Lo switch is operated when the machine is traveling, the machine may deviate to one side even when it is traveling in a straight line. Always stop the machine before changing the travel speed.
- The area at the rear of the machine is a blind spot. Always use the rear view camera to check the area at the rear of the machine before traveling in reverse.

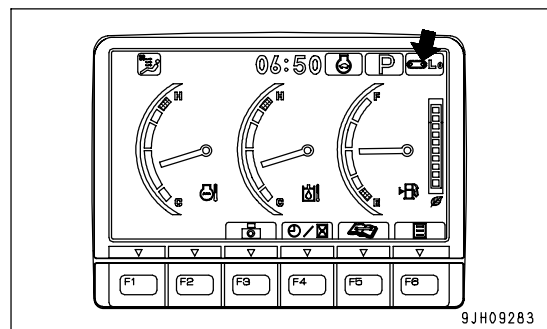
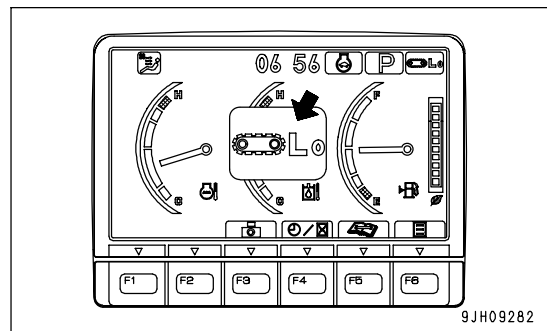
This switch (3) is used to set the travel speed to 2 stages.
 Lo lights up: Low-speed travel
 Hi lights up: Hi-speed travel
 When the engine is started, the speed is automatically set to Lo.
 Each time that the switch is pressed, the display changes Lo → Hi → Lo in turn.

When traveling in high speed (Hi), if travel power is needed, such as when traveling on soft ground or on slopes, the speed automatically switches to low speed (Lo), so there is no need to operate the switch. The monitor display stays at Hi.



REMARK

Each time travel speed selector switch (3) is switched, the mode is displayed on the monitor display, and after 2 seconds, the screen returns to the standard screen.



Wiper Switch

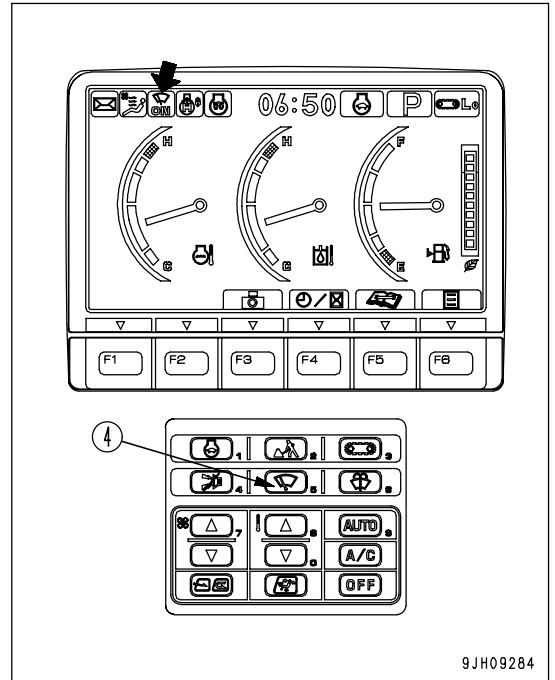
This switch (4) actuates the front window wiper.

Each time the switch is pressed, it changes ON → INT → stop (OFF).

Wiper monitor INT is lit: Wiper operates intermittently

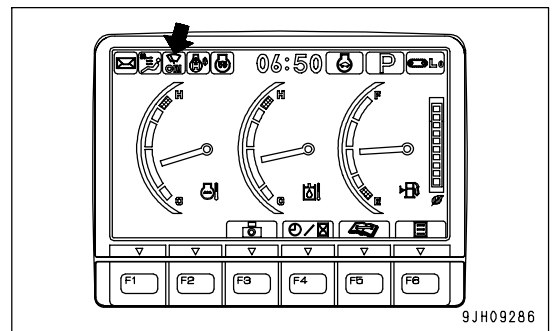
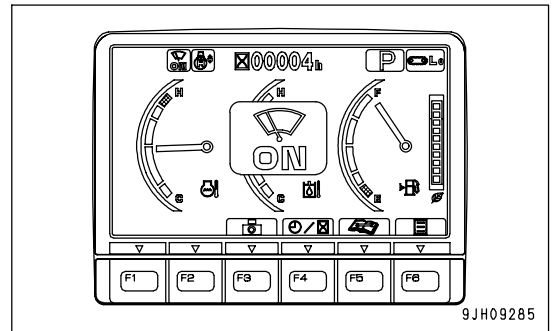
Wiper monitor ON is lit: Wiper operates continuously

Wiper monitor OFF: Wiper stops



REMARK

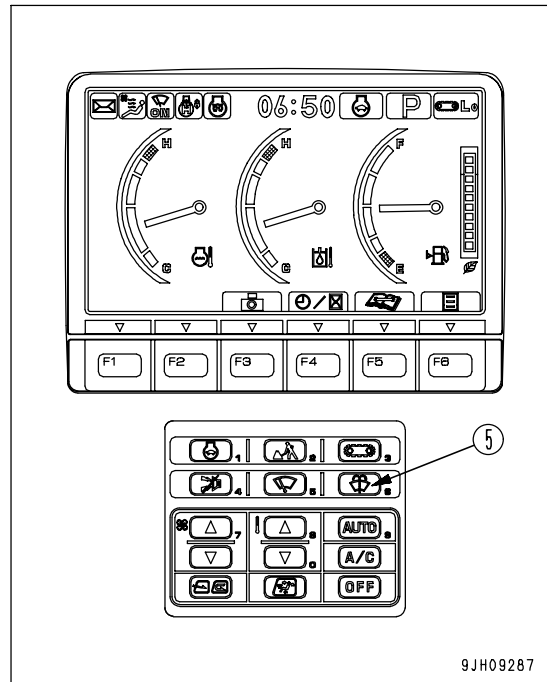
Each time wiper switch (4) is pressed, the mode is displayed in the center of the monitor display, and after 2 seconds, the screen returns to the standard screen.



Window Washer Switch

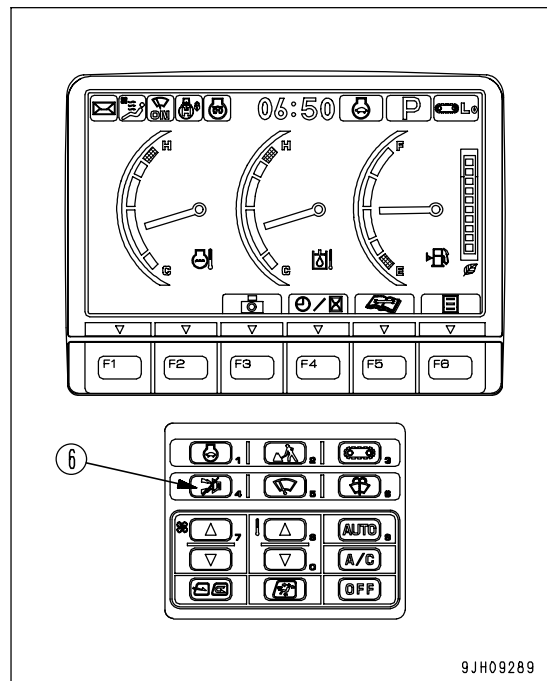
This switch (5) is kept continuously pressed, window washer fluid is sprayed out on the front glass. When the switch is released, the spray stops.

- If switch (5) is kept pressed when the wiper is stopped, the window washer fluid will spray, and at the same time, the wiper will be actuated continuously. When switch (5) is released, the wiper will continue to operate for 2 cycles, then stop.
- If the wiper is moving intermittently and switch (5) is kept pressed continuously, window washer fluid will spray, and at the same time, the wiper will be actuated continuously. When switch (5) is released, the wiper will continue to operate for 2 cycles, then return to intermittent operation.



Buzzer Cancel Switch

When this switch (6) is pressed, the warning buzzer for the abnormal warning item stops.



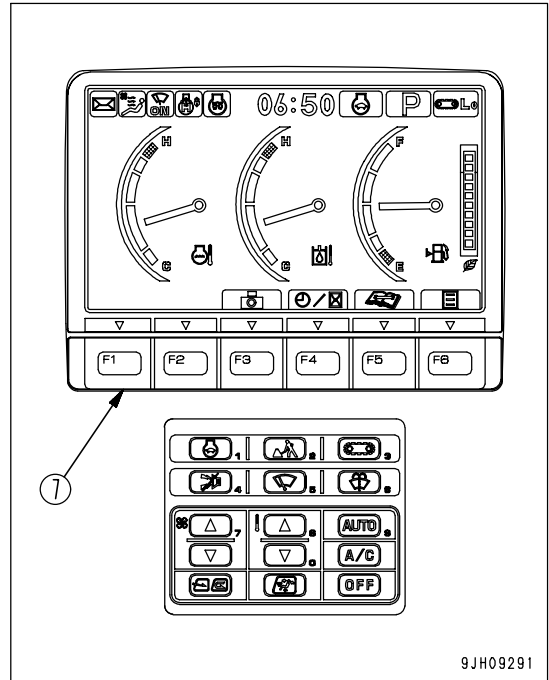
Function Switches

Function switches (7) consist of 6 switches (F1 to F6). The function of each switch differs according to the content of each screen.

When the monitor display shows the standard screen, the functions are displayed as follows.

- F3: Camera screen selector switch (if equipped)
- F4: Service meter/time display selector switch
- F5: Maintenance mode switch
- F6: User mode switch
- F1 and F2 are auxiliary switches for expanded functions.

For explanation of each switch, see "Handling Function Switches (PAGE 3-32)".

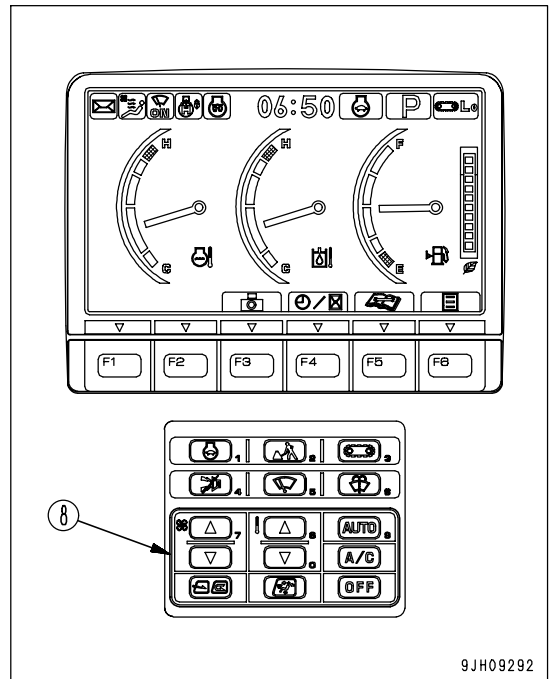


9JH09291

Air Conditioner Switch

The air conditioner switches (8) consist of 9 switches.

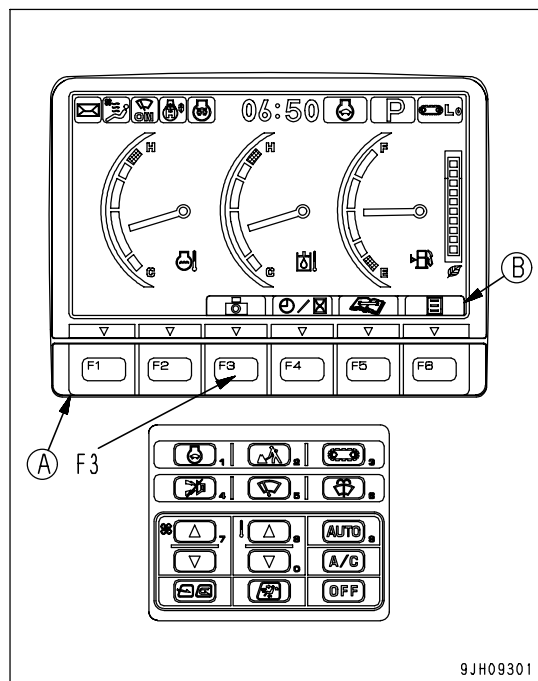
For explanation of each switch, see "AIR CONDITIONER CONTROLS (PAGE 3-91)".



9JH09292

Handling Function Switches

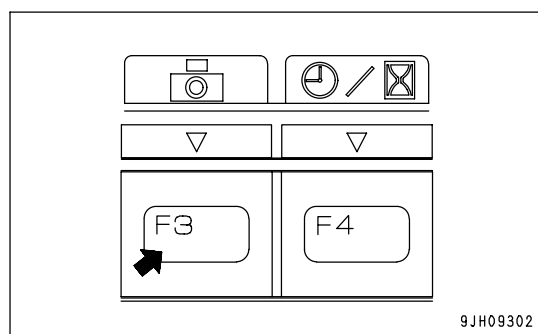
- The function switches (A) at the bottom of the monitor display consist of 6 switches (F1 to F6). The function of each switch differs according to the content of each screen.
- The function of switches (A) on each screen can be confirmed by guidance icons (B) displayed on top of each switch.
- If there is no display in guidance icon (B), even if switch (A) is pressed, it will not function.
- Even if guidance icon (B) is pressed, it will not function. Press switch (A) immediately below the guidance icon display to operate the function.



The operation of the function switches if the initial screen is the standard screen is as follows.

Camera Screen Selector Mode Switch

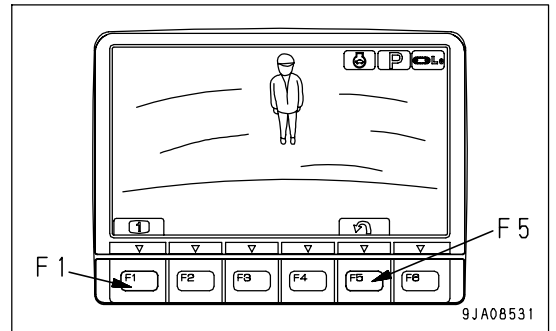
On machines with a camera, press switch F3 to switch to the camera screen display.



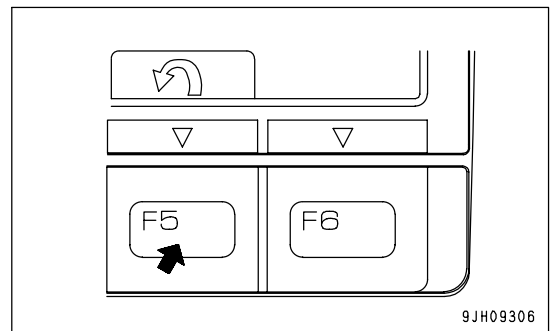
Operating Camera Screen Display

The following explains the method used to display the camera image on the monitor.

- On the standard screen, if switch F3 is pressed, the image display screen is displayed.



- Press switch F5 to return to the standard screen.



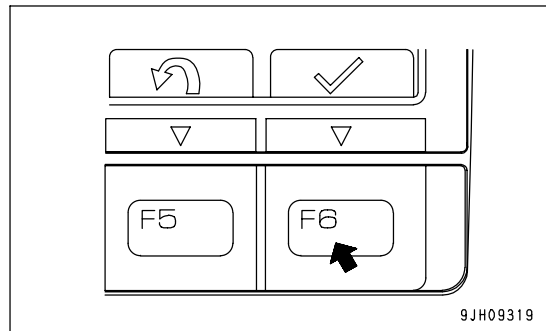
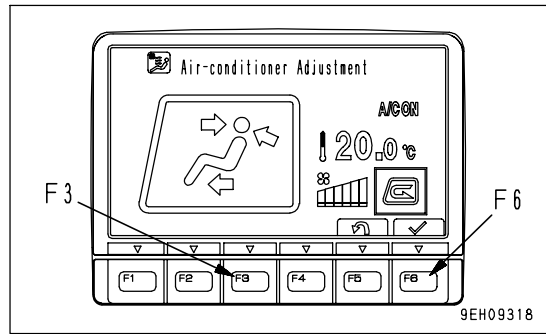
Other Mode Operations When Displaying Camera Image

- Even during the camera display, it is possible to operate other modes.

- The air conditioner can be operated.

If the air conditioner switch is operated, the screen switches to the air conditioner control screen. If the screen switches to the air conditioner control screen, press switch F6 to return to the camera image screen. In addition, if no operation is performed for 5 seconds after the screen switches to the air conditioner control screen, the screen automatically returns to the camera image screen.

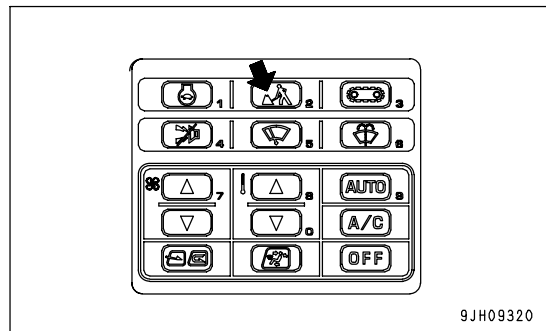
For details of the operation of the air conditioner, see "AIR CONDITIONER CONTROLS (PAGE 3-91)".



- It is possible to change the working mode by pressing the working mode selector switch.

For details of the method of using the working mode selector switch, see "Working Mode Selector Switch (PAGE 3-25)".

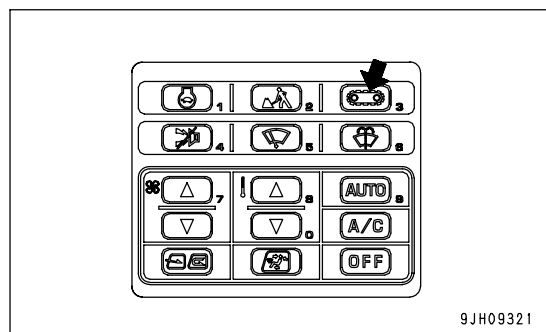
When the working mode is changed, the screen returns automatically to the camera image screen. When this happens, the pilot monitor display at the top right of the monitor screen is highlighted in yellow for 2 seconds, then returns to blue.



- It is possible to change the travel speed by pressing the travel speed selector switch.

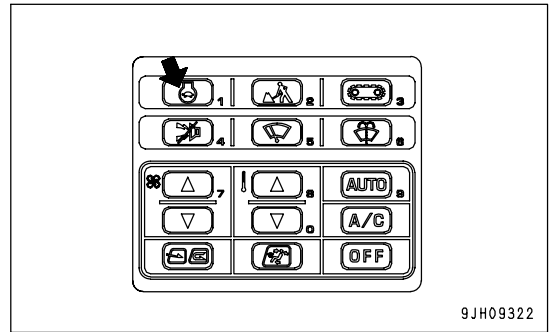
For details of the method of using the travel speed selector switch, see "Travel Speed Selector Switch (PAGE 3-28)".

When the travel speed is changed, the pilot monitor display at the top right of the monitor screen is highlighted in yellow for 2 seconds, then returns to blue.



- Press the auto-deceleration switch to turn the auto-deceleration function ON/OFF.

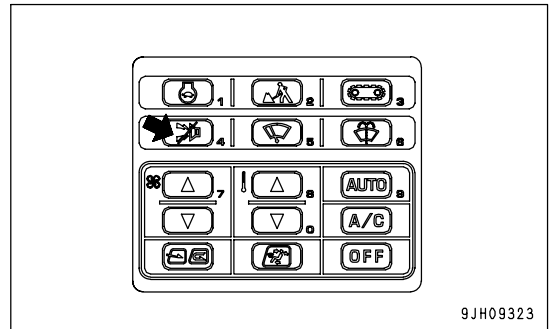
Even if the auto-deceleration switch is pressed, the camera image display screen does not switch to another screen or return to the standard screen display.



9JH09322

- It is possible to press the buzzer cancel switch to stop the alarm buzzer for the warning item where there is an abnormality.

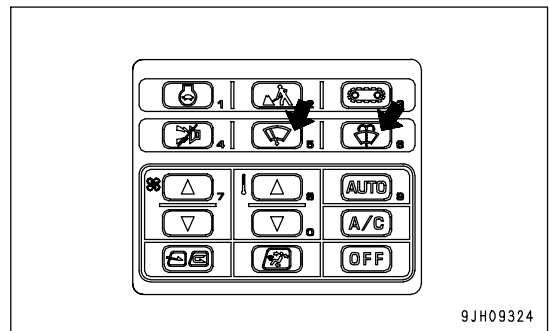
Even if the buzzer cancel switch is pressed, the camera image display screen does not switch to another screen or return to the standard screen display.



9JH09323

- Press the wiper switch and washer switch to operate the wipers and washer.

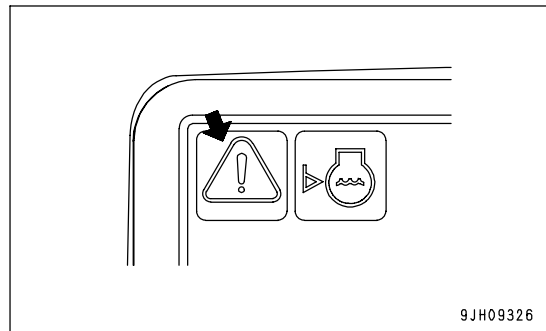
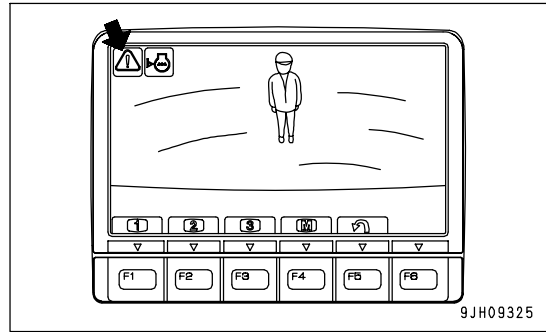
Even if the wiper switch or washer switch is pressed, the camera image display screen does not switch to another screen or return to the standard screen display.



9JH09324

Action When Warning is Generated When Displaying Camera Image

- If an error or alarm occurs while the camera image is being displayed, the error monitor or alarm monitor is displayed at the top left of the screen and flashes.



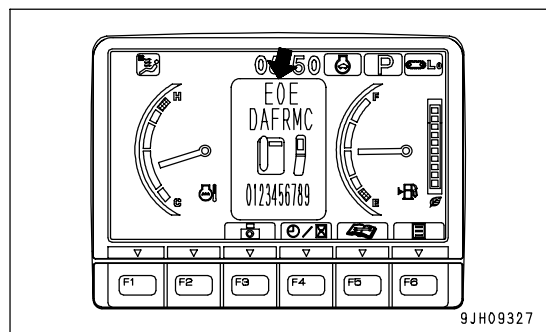
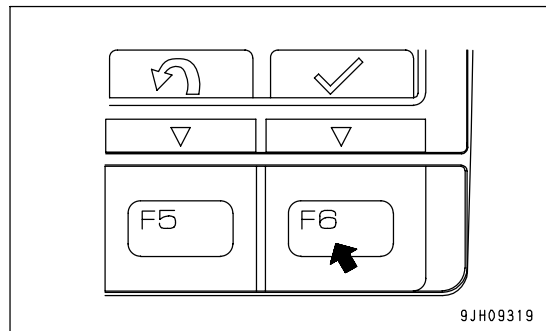
- If the error monitor or alarm monitor is displayed, press switch F6, return to the standard screen, and check the content of the error or alarm display.

When the error monitor is flashing, if no lever is operated for more than 10 seconds, the screen automatically returns to the standard screen.

When the screen returns to the standard screen, the error monitor at the top left of the screen goes out and the error or alarm is displayed in the center of the screen.

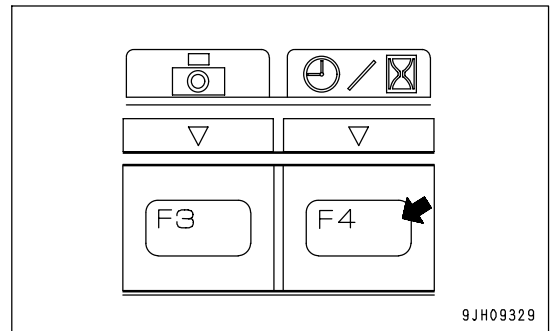
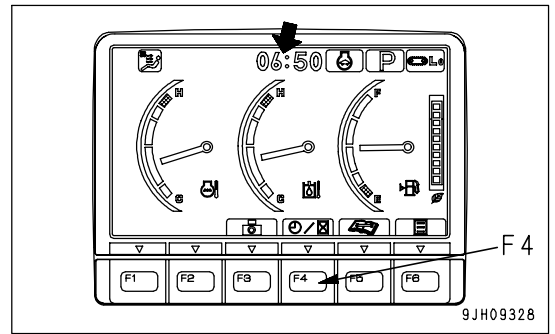
- If an error monitor is displayed, move the machine, set it in a safe posture, then have inspection performed immediately.

For details of the content of the warning displays, see "Basic Check Monitors (PAGE 3-15)", "Caution Monitors (PAGE 3-13)", "Emergency Monitors (PAGE 3-11)" and "TROUBLES AND ACTIONS (PAGE 3-197)".

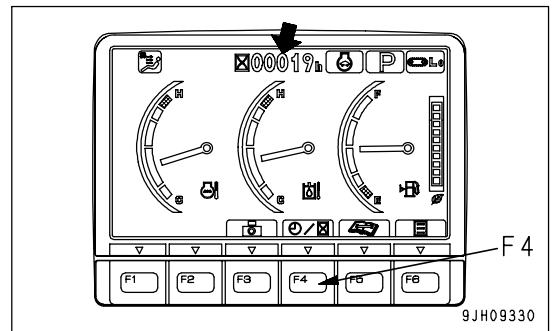


Service Meter/Clock Display Selector Switch

On the standard screen, it is possible to press switch F4 to switch the service meter and clock display at the top of the monitor display.

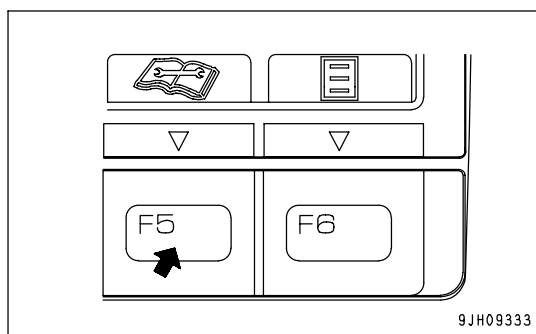
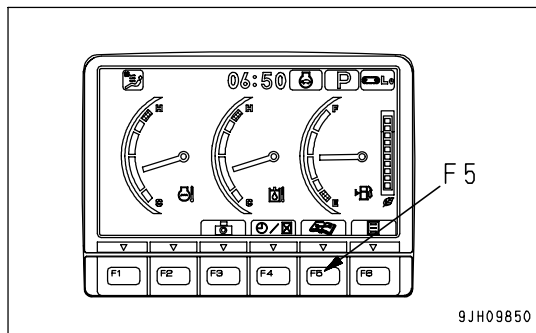


- When the time is being displayed, press switch F4 to switch to the service meter display.
- When the service meter is being displayed, press switch F4 to switch to the time display.



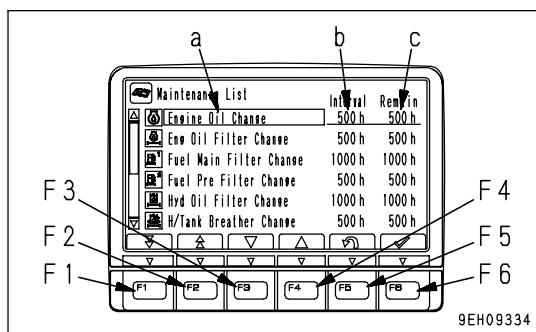
Maintenance Selector Switch

When switch F5 is pressed on the standard screen, the monitor display screen switches to the maintenance mode screen.



The items on the maintenance display are as follows.

a	b
Engine oil change	500
Engine oil filter change	500
Fuel main filter change	1000
Fuel prefilter change	500
Hydraulic oil filter change	1000
Hydraulic tank breather change	500
Damper case service	1000
Final drive case oil change	1000
Swing machinery case oil change	1000
Hydraulic oil change	5000



- a: Maintenance items
- b: Default maintenance time settings (h)
- c: Time remaining until maintenance (h)

Operations on Maintenance List Screen

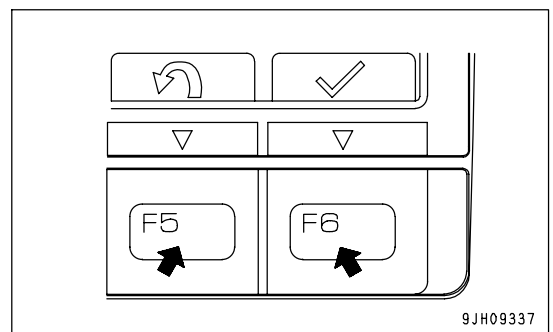
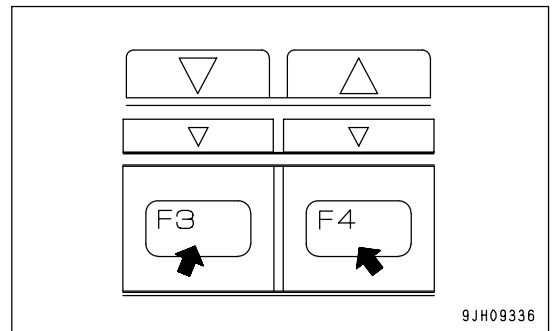
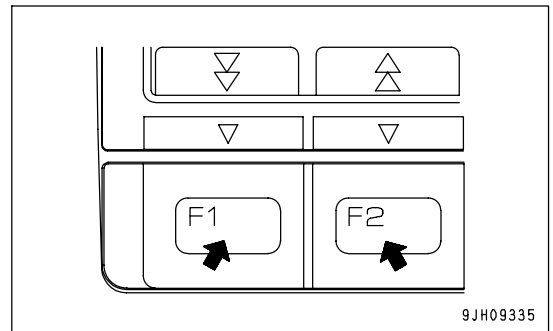
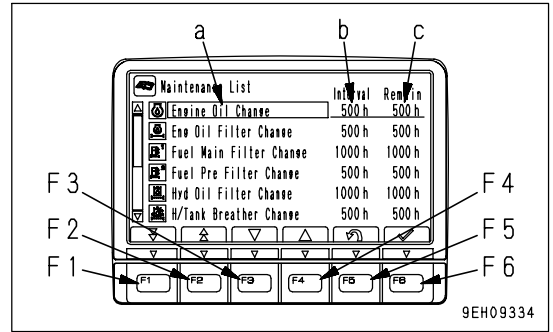
On the maintenance list screen, it is possible to perform the following operations with switches F1 to F6.

- F1: Displays next page. When on the last page, it displays the first page.
- F2: Displays previous page. When on the first page, it displays the last page.
- F3: Moves to next item (1 line down). When on the last line, it moves to the first line on the next page.
- F4: Moves to previous item (1 line up). When on the first line, it moves to the last line on the previous page.
- F5: Returns to standard screen.
- F6: If this switch is kept pressed, the screen changes to the screen for resetting the remaining time for the selected item (item highlighted in yellow).

REMARK

When resetting the remaining time, keep switch F6 pressed for at least 1.5 seconds. If switch F6 is not kept pressed for at least 1.5 seconds, the switch operating sound can be heard, but the screen does not switch to the screen for resetting the remaining time.

- If no switch is operated for 30 seconds on the maintenance list screen, the screen automatically returns to the standard screen.
- On the maintenance list screen, if the time remaining until maintenance for any item is less than 30 hours, the remaining time display is highlighted in yellow. If the time remaining until maintenance becomes 0 hours, the remaining time display is highlighted in red.
- If you want to change the setting for the maintenance time, consult your Komatsu distributor.



Operations on Maintenance Time Reset Screen

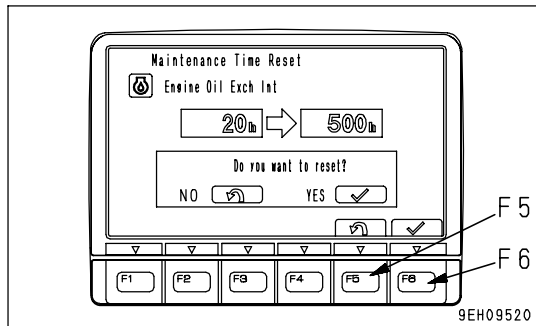
On the maintenance list screen, if switch F6 is kept pressed for at least 1.5 seconds, the screen changes to the maintenance time reset screen.

Reset the remaining time on this screen.

1. Press switch F6 when the reset screen is in the condition shown in the figure on the right. The screen switches to the reconfirmation screen.

REMARK

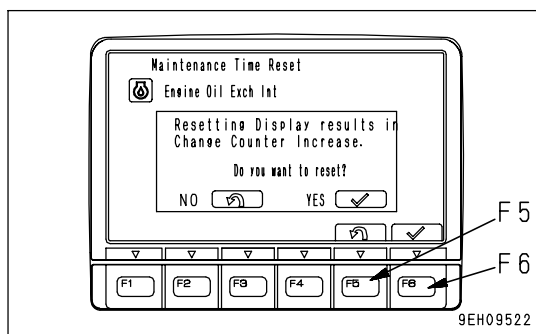
- It is desired to cancel the reset, press switch F5. The screen returns to the maintenance list screen.
- On the reset screen, if no switch is operated for more than 30 seconds, the screen automatically switches to the maintenance list screen.



2. The reconfirmation screen shown on the right is displayed.
3. If switch F6 is pressed again, the remaining time is reset and the screen switches to the maintenance list screen.

REMARK

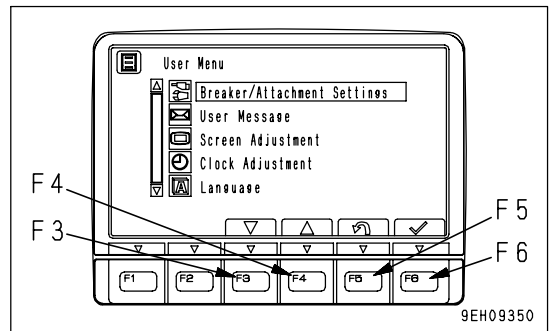
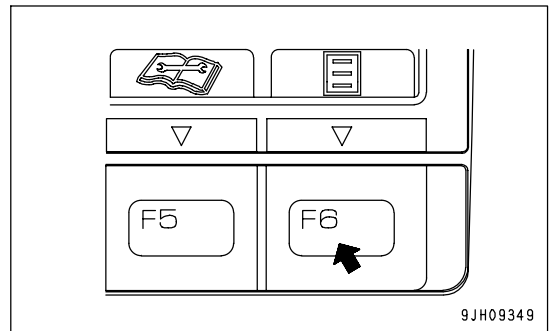
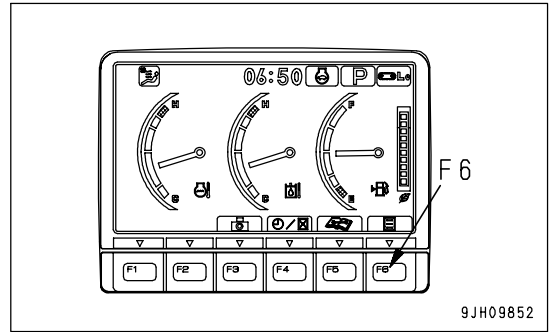
- It is desired to cancel the reset, press switch F5. The screen returns to the maintenance list screen.
- On the reconfirmation screen, if no switch is operated for more than 30 seconds, the screen automatically switches to the maintenance list screen.



User Mode Selector Switch

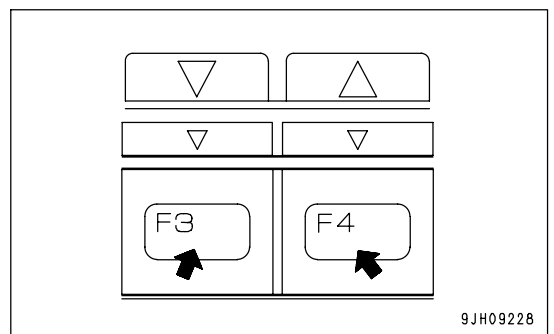
When the switch F6 is pressed, the monitor display screen switches to the setting mode screen for the machine.

- On the User Menu screen, it is possible to perform the following operations with switches F3 to F6.



F3: Moves to next item (1 line down). When on the last line, it moves to the first line on the next page.

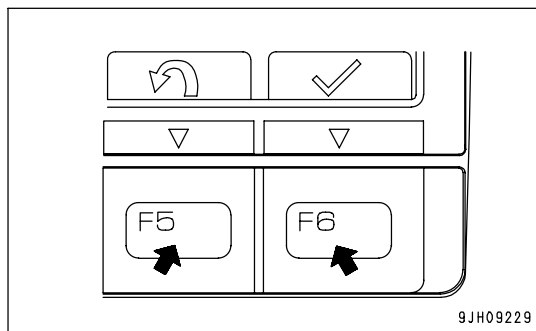
F4: Moves to previous item (1 line up). When on the first line, it moves to the last line on the previous page.



F5: Returns to standard screen.

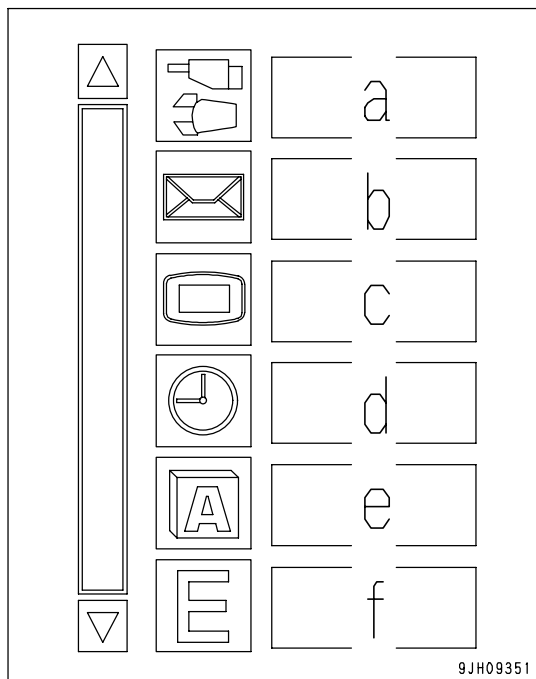
F6: Switches to setting screen for selected item.

- If no switch is operated for 30 seconds on the user menu screen, the screen automatically returns to the previous screen.



- The following items can be set.

- a: Breaker/attachment setting
(machines ready for installation of attachment)
- b: Message display
(machines equipped with KOMTRAX)
- c: Screen adjustment
- d: Clock adjustment
- e: Language selection
- f: Economy mode adjustment

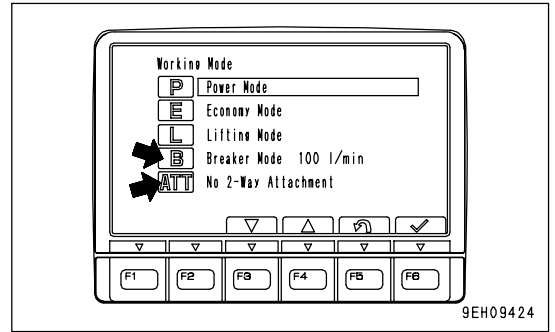


The operation for setting a to f is as follows.

Breaker/Attachment Setting

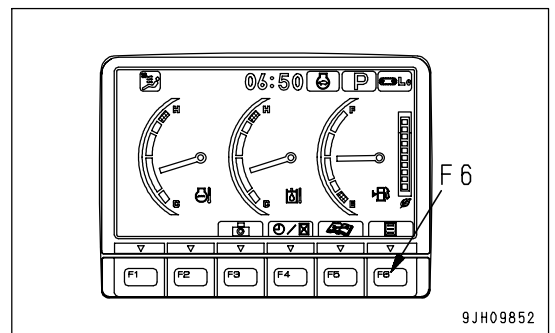
- On machines ready for attachment, it is possible on the breaker/attachment setting menu to adjust the oil flow in B mode and ATT mode to match the attachment.

For machines that have no attachment, the breaker/attachment setting mode is not displayed.

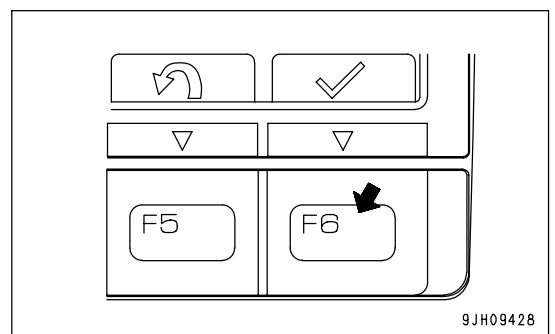
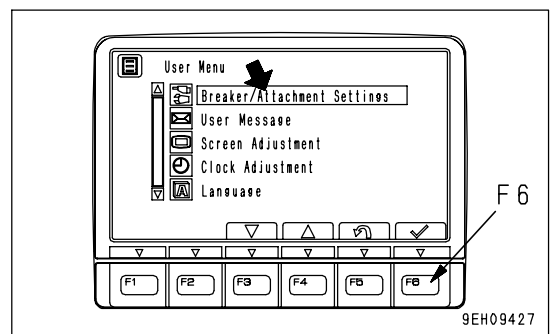


Changing Breaker Mode Setting

- On the standard screen, press switch F6.



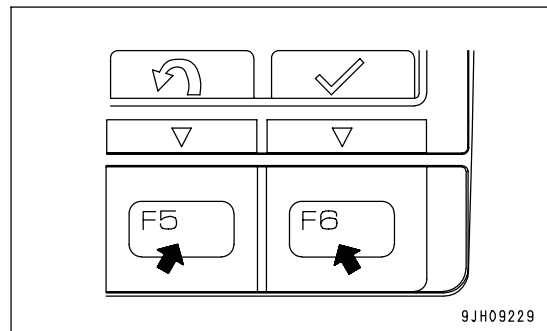
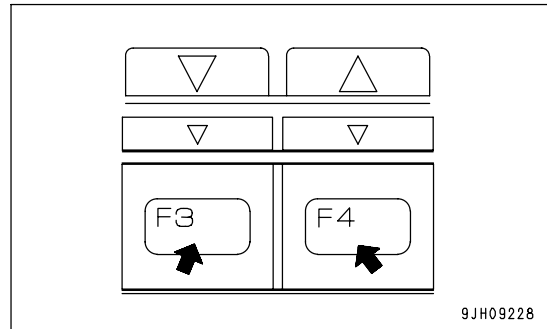
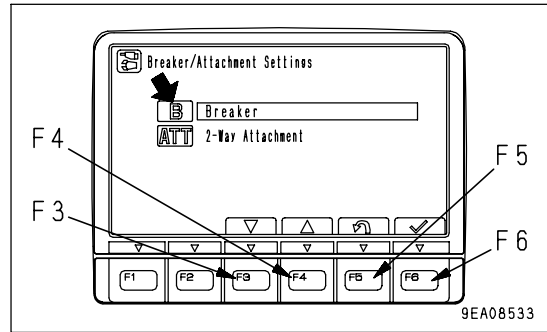
- Select Breaker/Attachment Settings on the user menu, then press switch F6.



3. On the working mode selection screen shown on the right, select B Breaker and press switch F6.

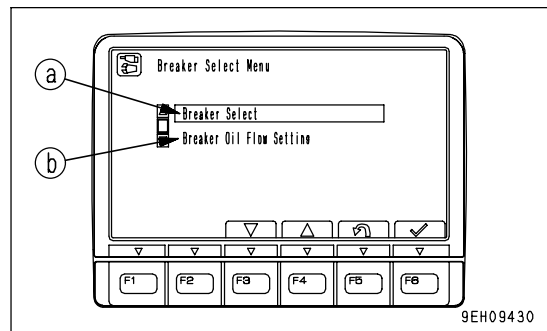
- On the working mode selection screen shown on the right, it is possible to perform the following operations with switches F3 to F6.

- F3: Moves to next item (1 line down).
- F4: Moves to previous item (1 line up).
- F5: Returns to user menu screen.
- F6: Switches to setting screen for selected item.



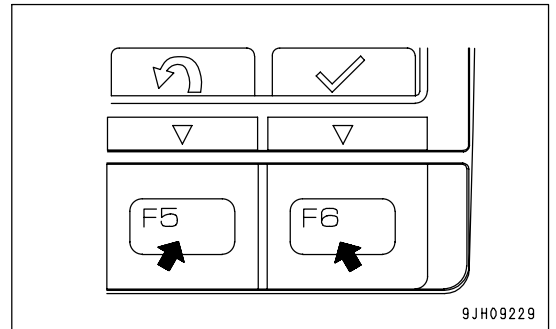
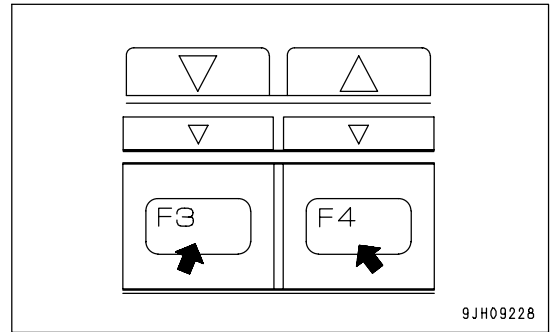
4. The screen switches to the Breaker Select Menu.

- Breaker setting selection menu
In breaker Select (a), the oil flow to be set in B mode can be set to one of 2 set values.
- Breaker flow setting menu
In the breaker flow setting (b), the oil flow to be set in B mode can be changed.



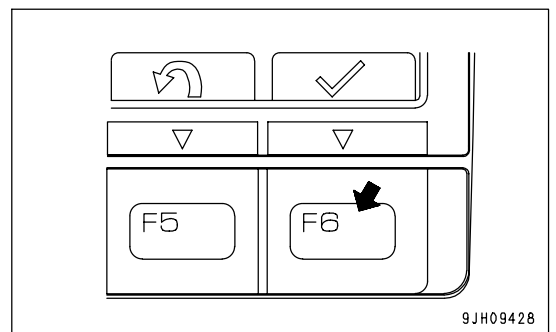
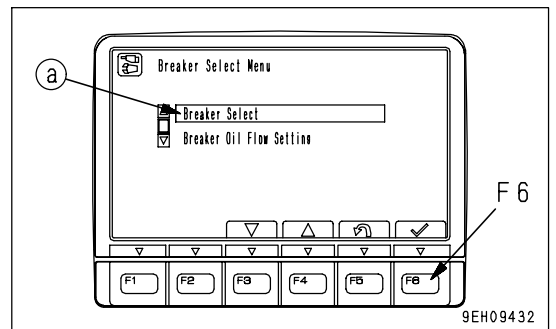
On the Breaker Select Menu screen, it is possible to perform the following operations with switches F3 to F6.

- F3: Moves to next item (1 line down).
- F4: Moves to previous item (1 line up).
- F5: Returns to previous screen.
- F6: Switches to setting screen for selected item.



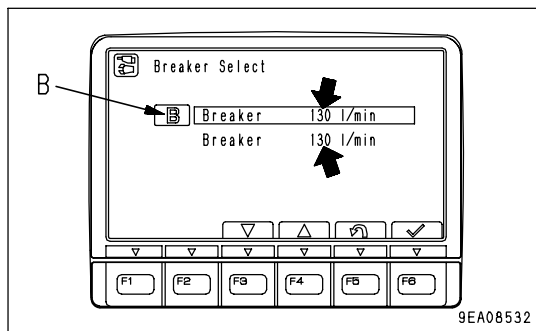
Changing breaker setting selection

1. Select breaker setting selection (a) on the breaker setting menu screen, then press switch F6.



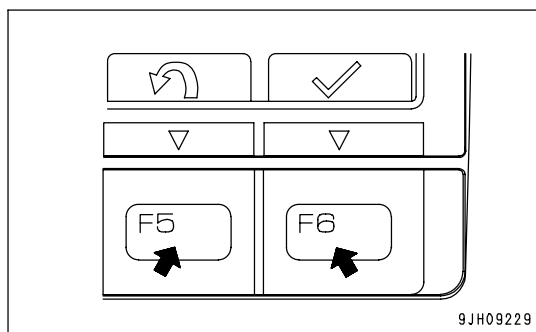
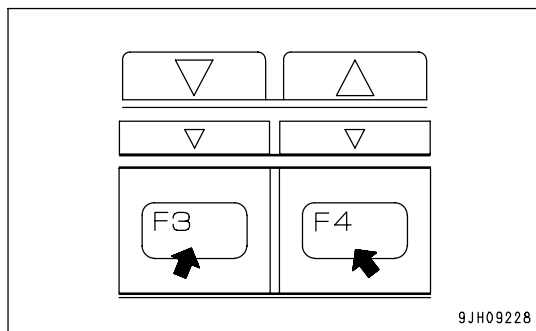
2. On the Breaker Select screen, select one of the 2 set values for the oil flow, then press switch F6.

- The default values for the flow setting are both set to 130 liter/min, as shown in the illustration on the right. To select the oil flow setting, follow the procedure given in "Changing breaker flow setting (PAGE 3-47)".
- The present oil flow set for B mode is marked with a B in front of the item name as shown in the illustration on the right.



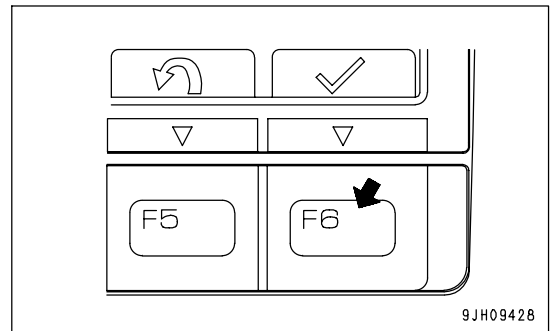
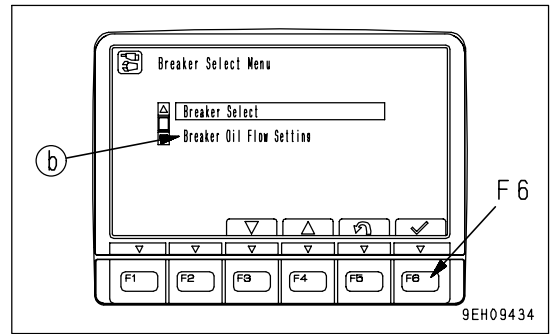
- On the Breaker Select Menu and breaker setting selection menu, it is possible to perform the following operations with switches F3 to F6.

- F3: Moves to next item (1 line down).
- F4: Moves to previous item (1 line up).
- F5: Returns to previous screen.
- F6: Switches to setting screen for selected item.



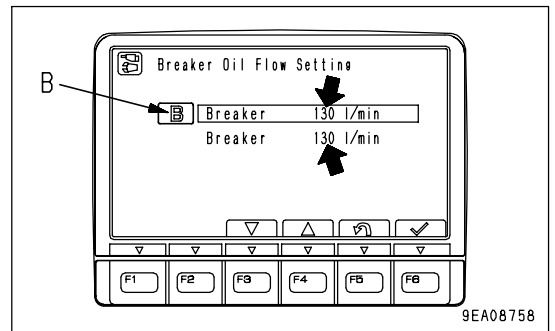
Changing breaker flow setting

1. Select breaker flow setting (b) on the Breaker Select Menu screen, then press switch F6.



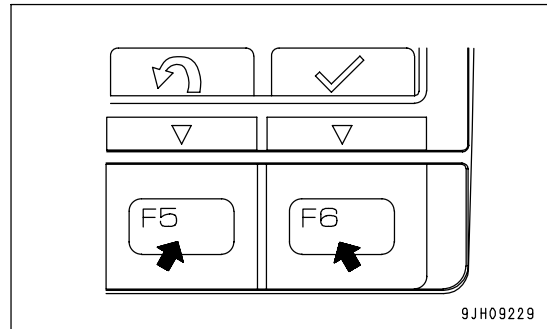
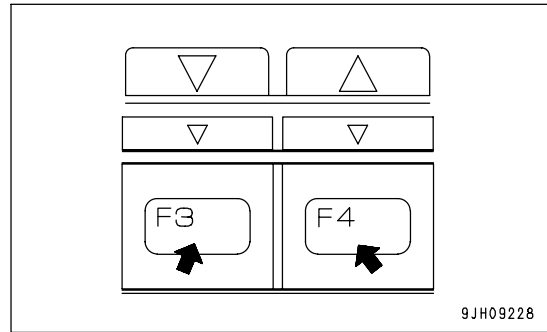
2. On the Breaker Oil Flow Setting screen, select one of the 2 set values for the oil flow, then press switch F6.

- The default values for the oil flow setting are both set to 130 liter/min, as shown in the illustration on the right. The present oil flow set for B mode is marked with B in front of the item name as shown in the illustration on the right.



- On the Breaker Select Menu and Breaker Oil Flow Setting screen, it is possible to perform the following operations with switches F3 to F6.

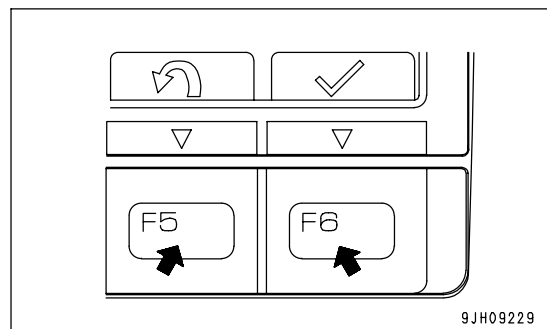
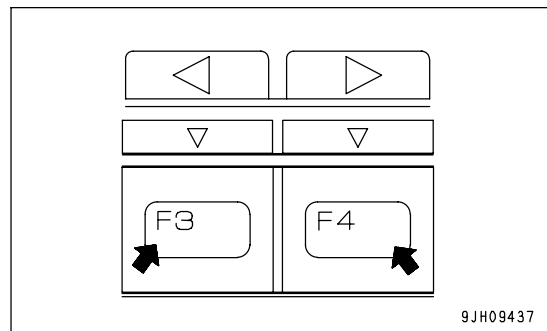
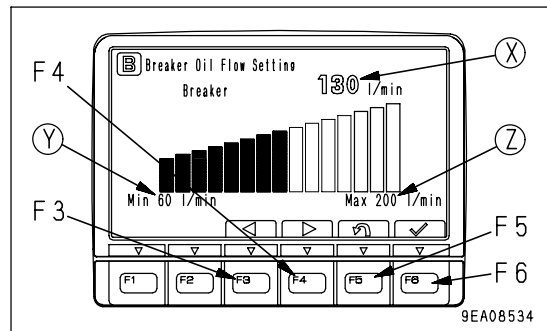
- F3: Moves to next item (1 line down).
- F4: Moves to previous item (1 line up).
- F5: Returns to previous screen.
- F6: Switches to setting screen for selected item.



3. On the Breaker Oil Flow Setting screen, change the set oil flow.

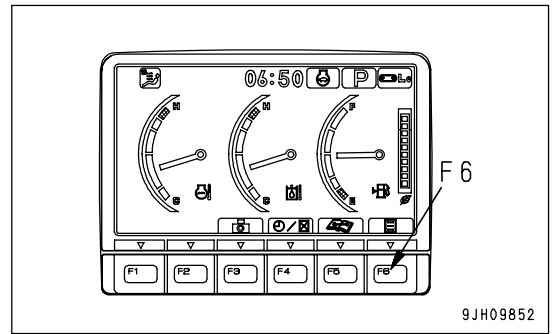
- After using switches F3 or F4 to change to a suitable oil flow, press switch F6 to accept the change in the oil flow and return to the previous screen.
- When switch F5 is pressed, no change is made in the oil flow and the screen returns to the previous screen.

- (X): Present oil flow setting
- (Y): Min. adjusted oil flow
- (Z): Max. adjusted oil flow

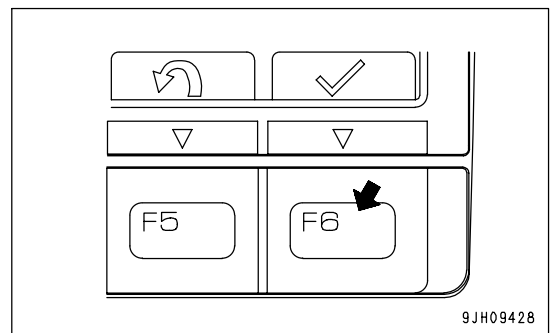
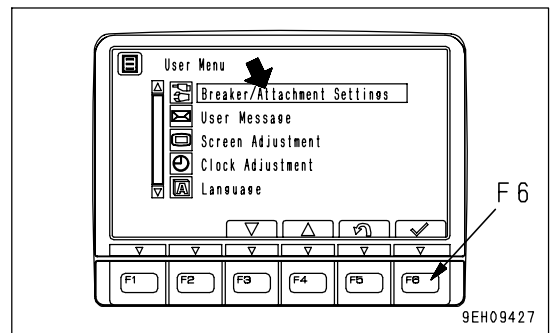


Changing Attachment Mode Setting

1. On the standard screen, press switch F6.



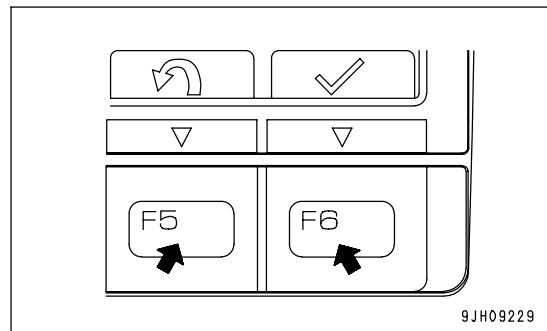
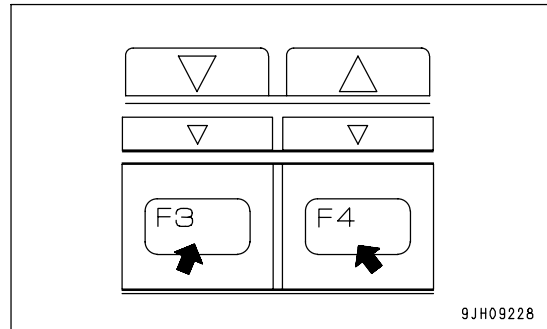
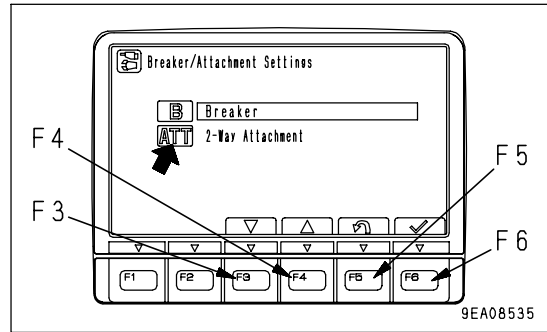
2. Select Breaker/Attachment Settings on the user menu, then press switch F6.



3. On the working mode selection screen shown on the right, select ATT 2-Way Attachment, then press switch F6.

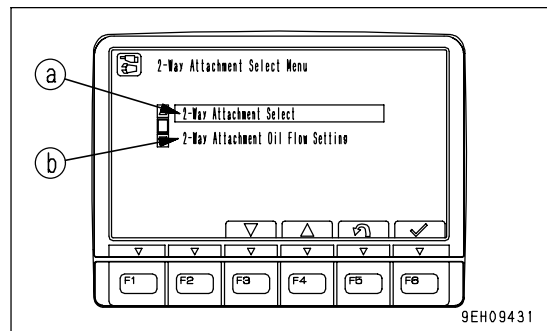
- On the working mode selection screen shown on the right, it is possible to perform the following operations with switches F3 to F6.

- F3: Moves to next item (1 line down).
- F4: Moves to previous item (1 line up).
- F5: Returns to user menu screen.
- F6: Switches to setting screen for selected item.



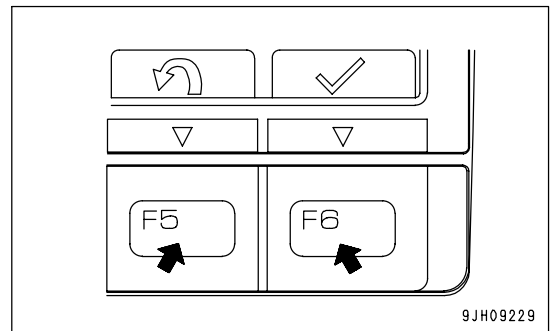
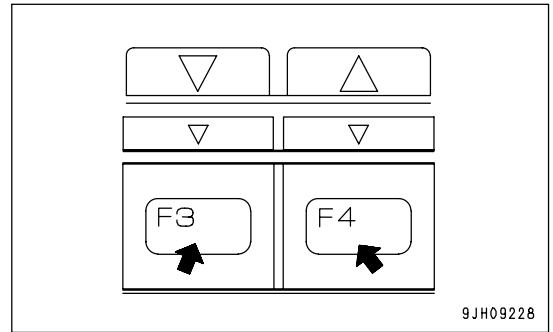
4. The screen switches to the 2-Way Attachment Select menu.

- 2-Way Attachment Select menu
In 2-Way Attachment Select (a), the oil flow to be set in ATT mode can be set to one of 2 set values.
- 2-Way Attachment Oil Flow Setting menu
In 2-Way Attachment Oil Flow Setting (b), it is possible to change the oil flow set for the ATT mode.



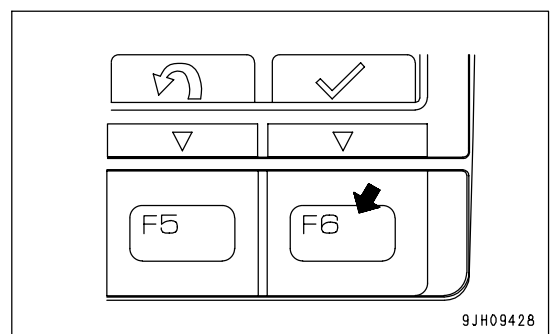
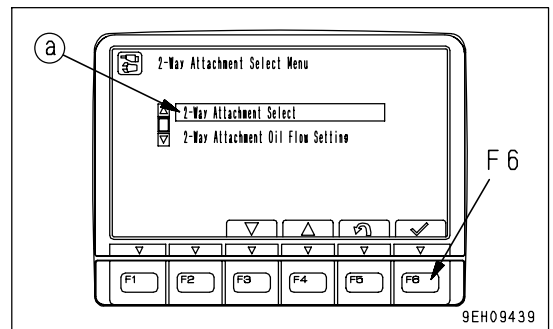
On the 2-Way Attachment Select Menu screen, it is possible to perform the following operations with switches F3 to F6.

- F3: Moves to next item (1 line down).
- F4: Moves to previous item (1 line up).
- F5: Returns to previous screen.
- F6: Switches to setting screen for selected item.



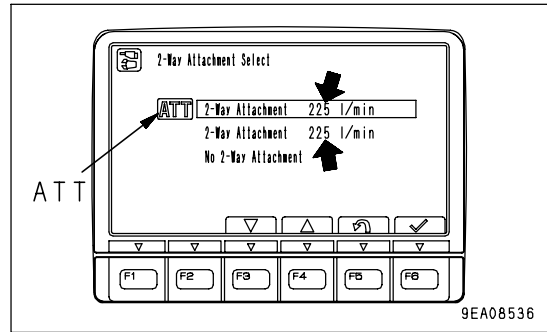
Changing attachment setting selection

1. Select attachment setting selection (a) on the attachment setting menu screen, then press switch F6.

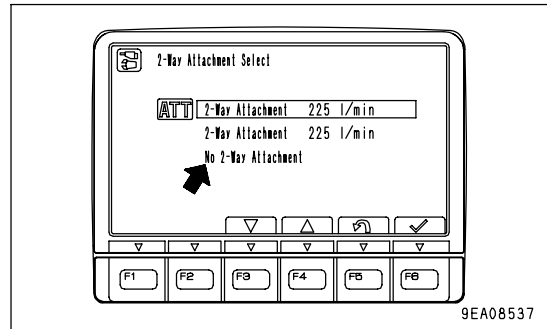


2. On the 2-Way Attachment Select Menu, select one of the 2 set values for the oil flow, then press switch F6.

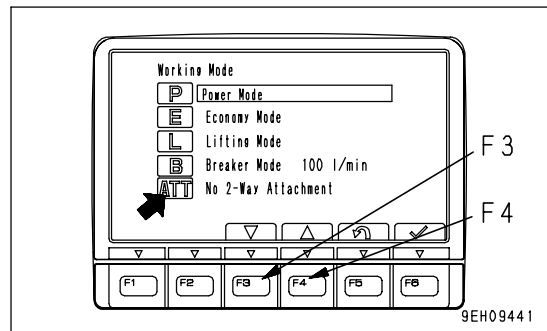
- The default values for the oil flow setting are both set to 225 liters/min, as shown in the illustration on the right. To change the oil flow setting, follow the procedure given in "Changing attachment flow setting (PAGE 3-53)".
- The present oil flow set for ATT mode is marked with ATT in front of the item name as shown in the illustration on the right.



- If No 2-Way Attachment is selected, it becomes impossible to select the attachment mode on the working mode selection screen.

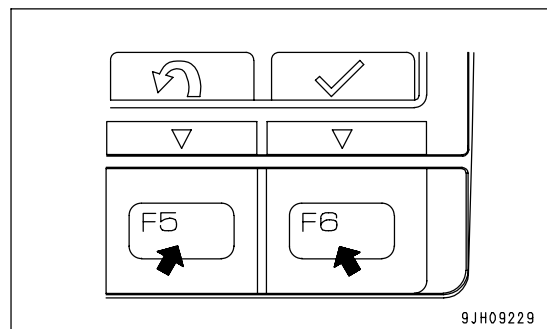
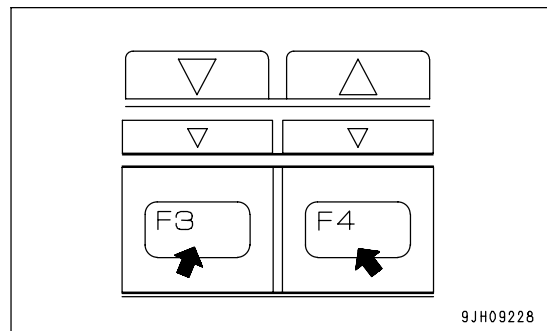


On the working mode selection screen, it is not possible to select No 2-Way Attachment.



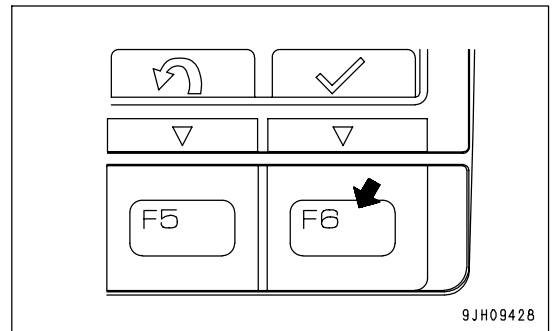
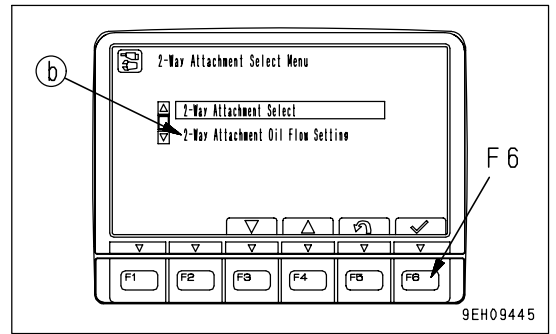
- On the 2-Way Attachment Select Menu screen and 2-way attachment select menu, it is possible to perform the following operations with switches F3 to F6.

- F3: Moves to next item (1 line down).
- F4: Moves to previous item (1 line up).
- F5: Returns to previous screen.
- F6: Switches to setting screen for selected item.



Changing attachment flow setting

1. Select 2-Way Attachment Oil Flow Setting (b) on the 2-Way Attachment Select menu screen, then press switch F6.

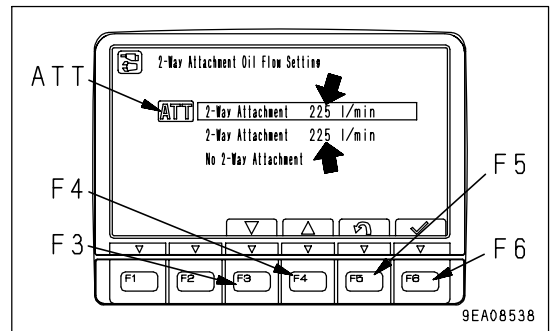


2. On the 2-Way Attachment Select Oil Flow Setting screen, select one of the 2 set values for the oil flow, then press switch F6.

- The default values for the oil flow setting are both set to 225 liters/min, as shown in the illustration on the right.

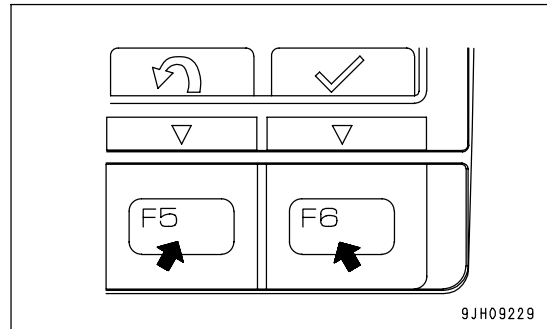
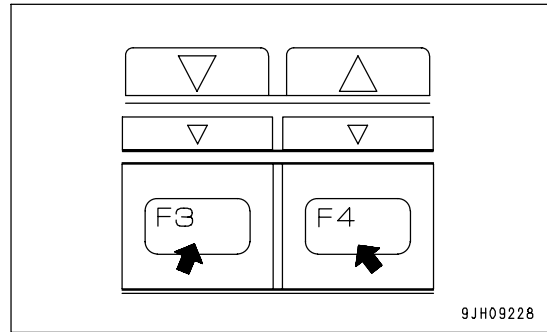
The present oil flow set for ATT mode is marked with ATT in front of the item.

- "No 2-Way Attachment" cannot be selected



- On the 2-Way Attachment Select Menu screen and 2-Way Attachment Select Menu screen, it is possible to perform the following operations with switches F3 to F6.

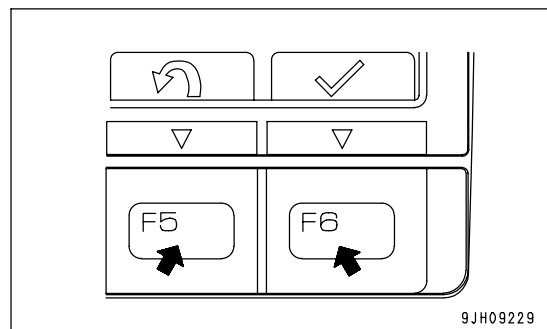
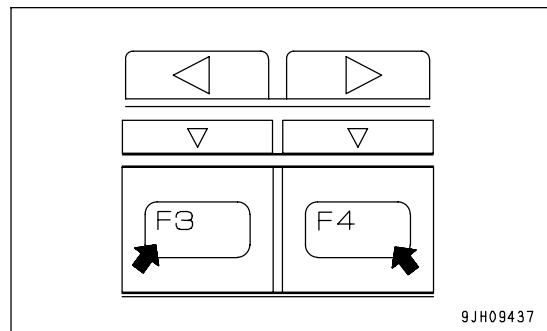
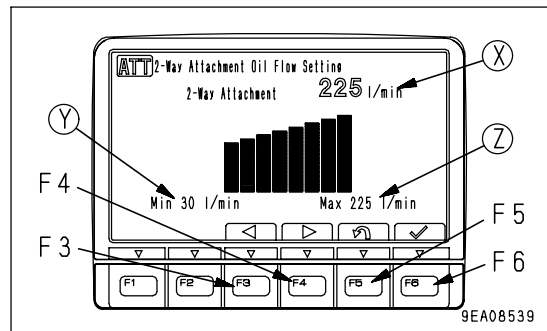
- F3: Moves to next item (1 line down).
- F4: Moves to previous item (1 line up).
- F5: Returns to previous screen.
- F6: Switches to setting screen for selected item.



3. On the 2-Way Attachment Oil Flow Setting menu, it is possible to change the oil flow setting.

- After using switches F3 or F4 to change to a suitable oil flow, press switch F6 to accept the change in the oil flow and return to the previous screen.
- When switch F5 is pressed, no change is made in the oil flow and the screen returns to the previous screen.

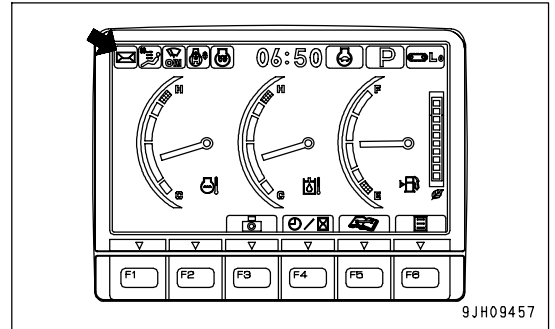
- (X): Present oil flow setting
- (Y): Min. adjusted oil flow
- (Z): Max. adjusted oil flow



Message Display

(Machines equipped with KOMTRAX)

On machines equipped with KOMTRAX, it is possible to see the messages from your Komatsu distributor on this message display menu. When there are any messages, the messages monitor at the top left of the monitor standard screen lights up.

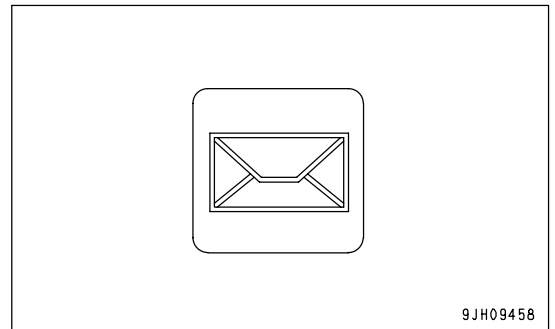


- It is possible to judge the following from the lighting up condition of the message monitor.

Lighted up in green: There is unread message

Lighted up in blue: There is message awaiting reply

OFF: There are no messages



REMARK

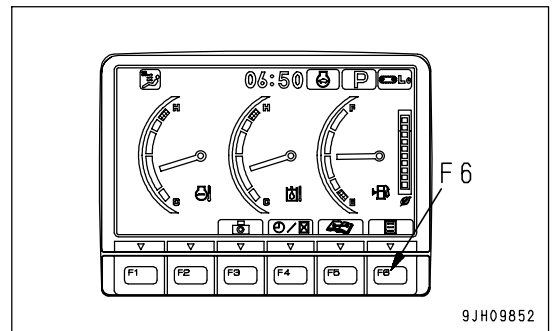
When the messages monitor is lighted up blue, open the message. The display shows that the reply to the message has not been sent to your Komatsu distributor.

REMARK

At present, there is no territory where it is possible to the use the message service.

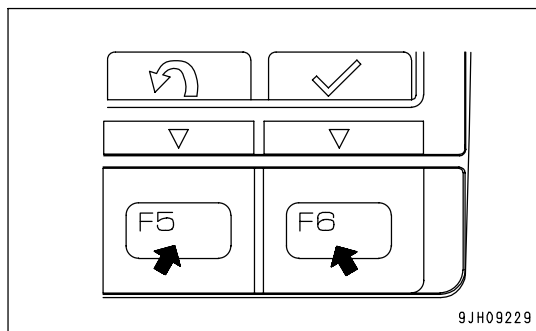
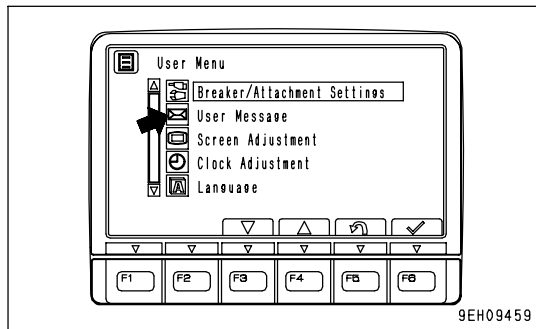
In territories where it is not possible to use the message service, the message display menu functions as follows.

1. On the standard screen, press switch F6.

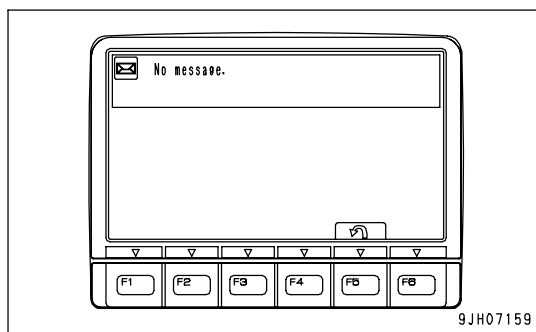


2. Select "User Message" on the User Menu, then press switch F6.

- If you press switch F5, the screen returns to the user menu screen.

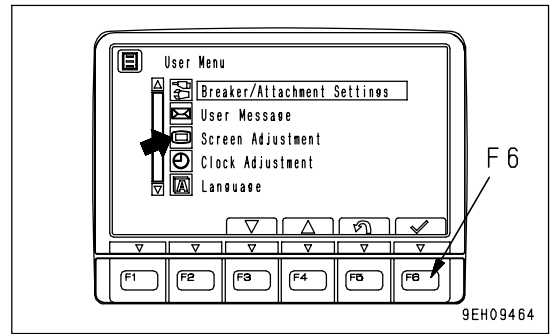


3. "No message" is displayed on the screen.
Press switch F5 to return to the standard screen.

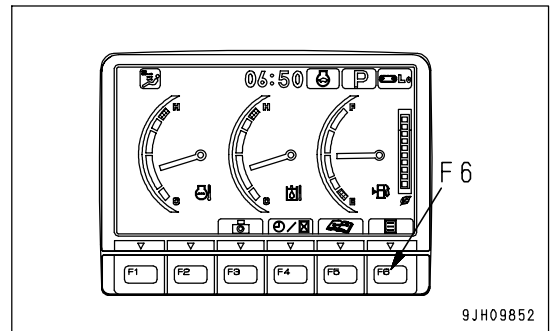


Adjusting Screen

Use this screen adjustment menu to adjust the brightness, contrast, and back light of the screen.

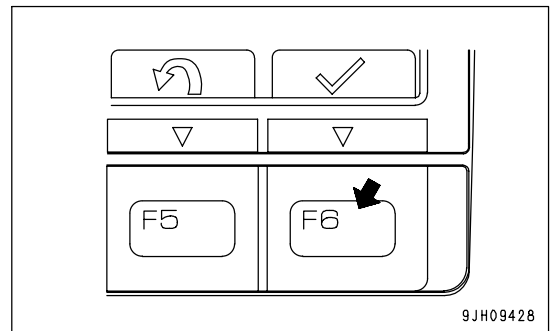


1. On the standard screen, press switch F6.



2. Select screen adjustment on the user menu, then press switch F6. The screen switches to the selection menu screen for screen adjustment.

- On machines equipped with cameras, it is possible to adjust the brightness, contrast, and back light of the cameras screen on this menu.



3. Select item to be adjusted (a) or (b) from the selection menu screen for screen adjustment, then press switch F6. The screen switches to the setting screen for the selected item.

(a): Standard screen adjustment

(b): Camera screen adjustment (only machines equipped with camera)

- On the mode selection screen shown on the right, it is possible to perform the following operations with switches F3 to F6.

F3: Moves to next item (1 line down).

F4: Moves to previous item (1 line up).

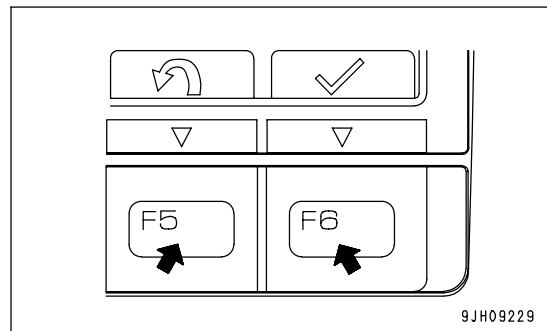
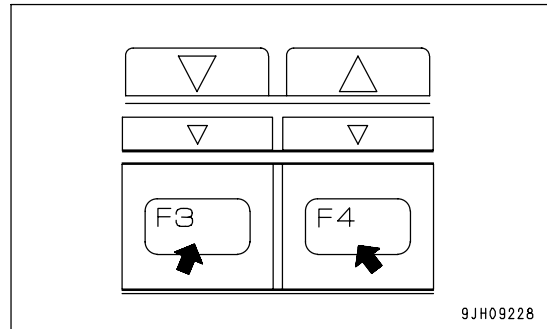
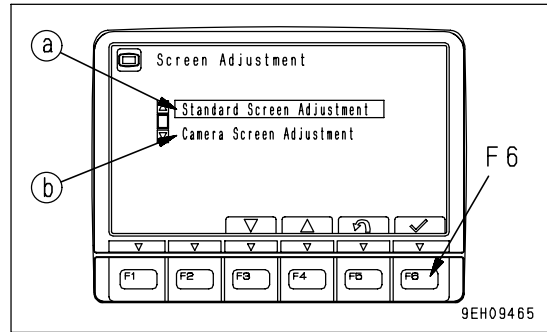
F5: Returns to user menu screen.

F6: Switches to setting screen for selected item.

REMARK

If the machine is not equipped with a camera, the selection menu for screen adjustment is not displayed.

If screen adjustment is selected from the user menu, the adjustment screen in step 4 is displayed.



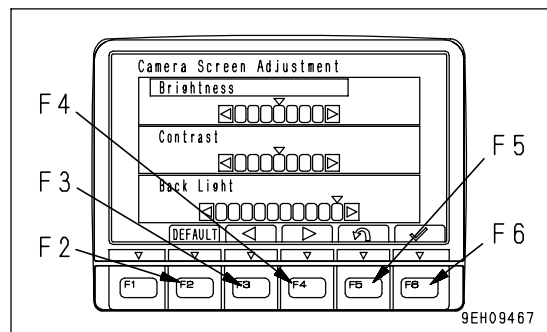
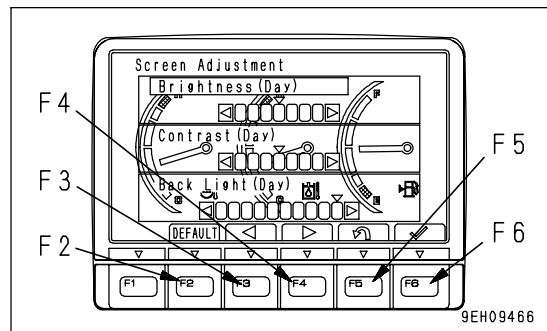
4. Use switches F2 to F6 to adjust the brightness, contrast, and back light of the selected screen.

1) Adjustment screen for standard screen

- If the light switch is at night mode ON, and the standard screen is adjusted, it is possible to adjust the brightness of the monitor screen (night mode).
- If the light switch is at day mode ON or OFF, and the standard screen is adjusted, it is possible to adjust the brightness of the monitor screen (day mode).

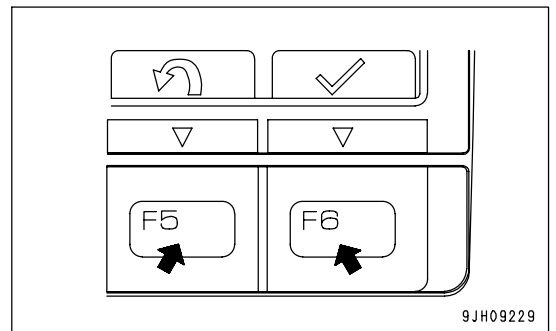
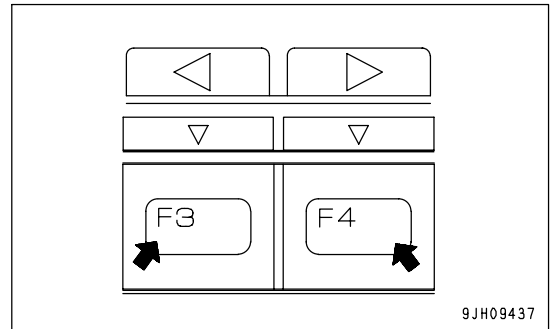
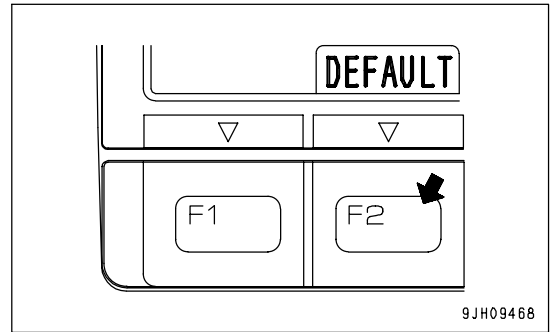
2) Adjusting camera screen

- The background when adjusting the camera image is the image for the No. 1 camera.
- When displaying the camera screen, the screen may become dark if the image is on snow. In such cases, we recommend adjustment of the screen.



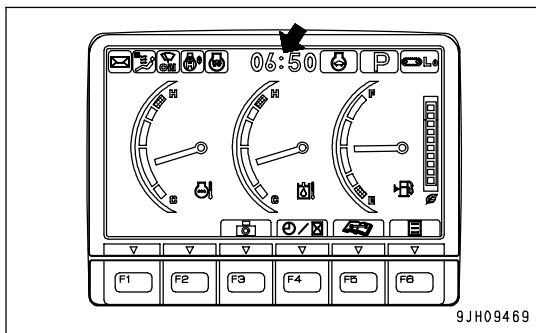
On the screen for Items 1) and 2), it is possible to perform the following operations with switches F2 to F6.

- F2: Resets all adjusted values to default value
- F3: Indicator of selected item moves 1 segment to left.
- F4: Indicator of selected item moves 1 segment to right.
- F5: Returns to user menu.
- F6: Accepts change and switches to next item setting.

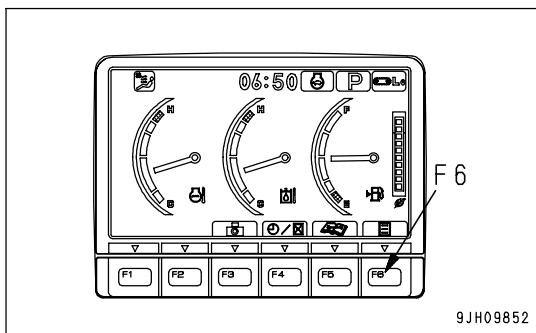


Clock Adjustment

On this clock adjustment menu, it is possible to change the setting of the clock displayed on the pilot monitor of the standard display.

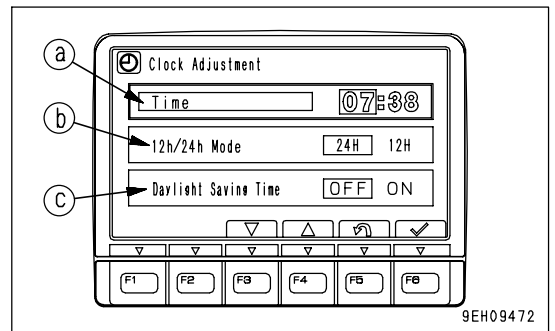
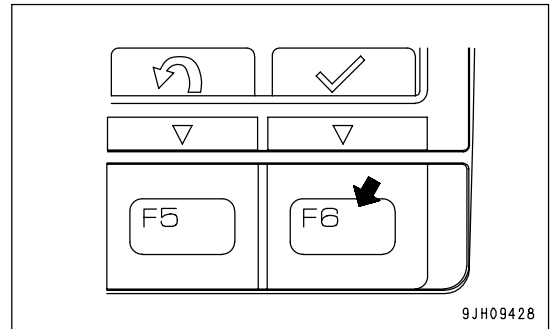
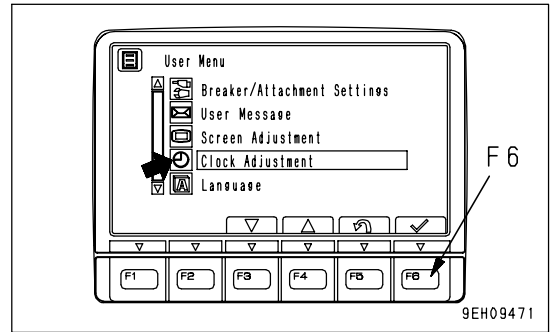


1. On the standard screen, press switch F6.



2. Select "Clock Adjustment" on the user menu, then press switch F6. The screen switches to the time adjustment selection menu screen.

- The following 3 items can be changed.
 - (a) Clock setting
 - (b) 12/24 hour display mode
 - (c) Daylight saving time

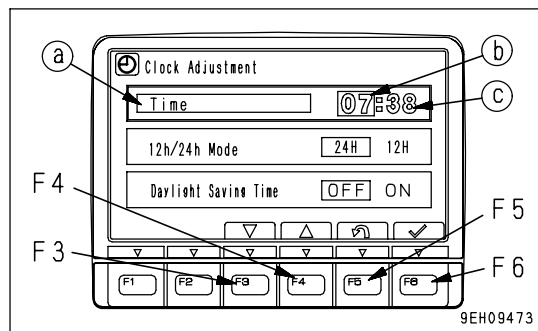


3. On the clock adjustment selection screen, it is possible to perform the following operations with switches F3 to F6.

• Time

Adjust the hour setting.

- 1) If "Time" (a) is not highlighted in yellow, press switch F6 to highlight "Time" (a) in yellow. When this is done, hour display (b) changes to orange. Adjust hour display (b) with the switches as follows. If it is not necessary to change the hour setting, press switch F6.



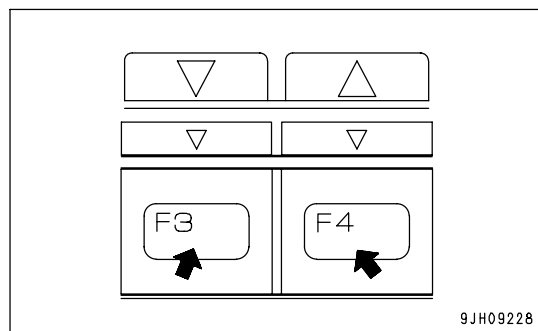
9EH09473

F3: Time advances 1 hour.

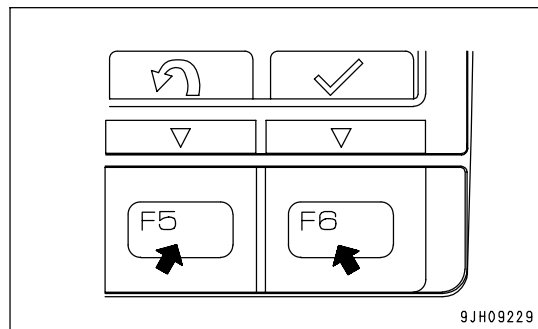
F4: Time goes back 1 hour.

F5: Cancels change and returns to user menu.

F6: Accepts change and goes to setting for minutes.



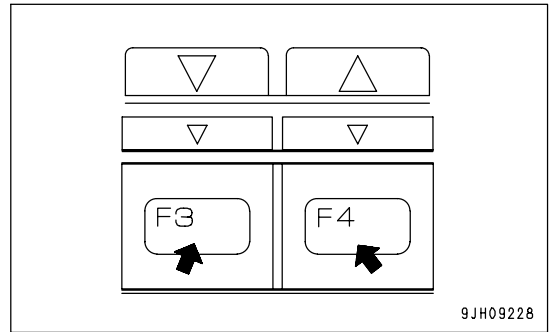
9JH09228



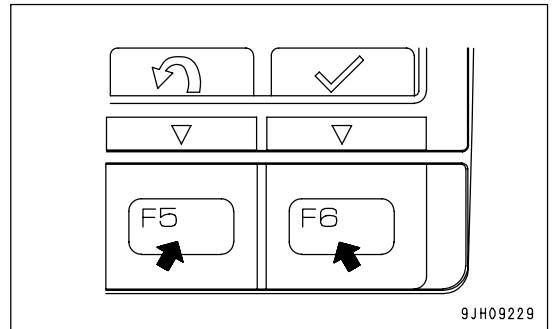
9JH09229

2) When minute display (c) is highlighted in orange, operate the switches as follows to adjust minute display (c).
 If it is not necessary to change the minute setting, press switch F6. If the time has been changed, always press switch F6.

- F3: Time advances 1 minute.
- F4: Time goes back 1 minute.
- F5: Cancels change and returns to user menu.
- F6: Accepts change and goes to setting for 12/24 hour display mode.



9JH09228

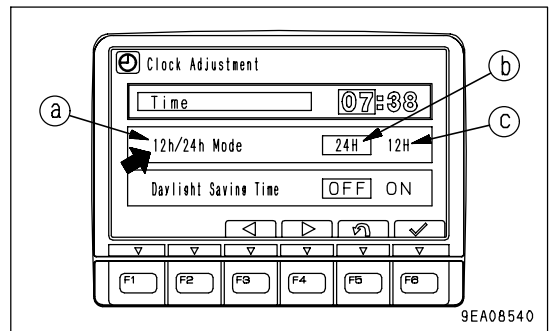


9JH09229

- 12h/24h Mode
 Choose either a 12-hour display (am/pm) or a 24-hour display.

(b): 24-hour display
 (c): 12-hour display (am/pm)

- 1) If "12h/24h Mode" (a) is not highlighted in yellow, press switch F6 to highlight "12h/24h Mode" (a) in yellow.
- 2) Change "12h/24h Mode" with the switches as follows.

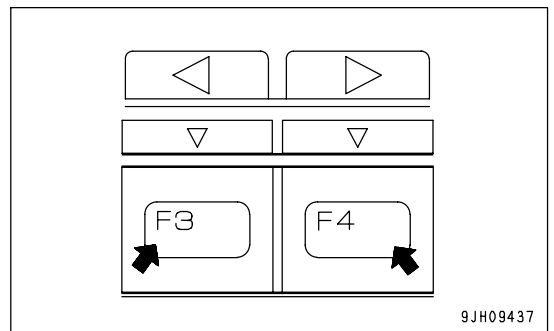


9EA08540

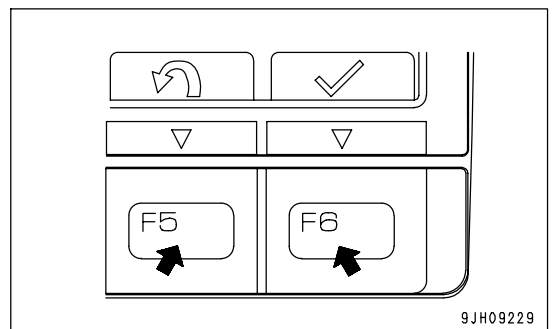
The selected display mode (b) or (c) is highlighted in green.

- F3: Moves 1 item to left.
- F4: Moves 1 item to right.
- F5: Cancels change and returns to user menu.
- F6: Accepts change and goes to setting for "Daylight Saving Time".

If the setting has been changed, always press switch F6.



9JH09437



9JH09229

• Daylight Saving Time (Summer time)

1) If daylight saving time is turned ON (a), the clock display becomes 1 hour earlier. If daylight saving time is turned OFF (b), the clock display returns to the set time.

The selected display mode is highlighted in green.

2) Change the daylight saving time with the switches as follows.

F3: Moves 1 item to left.

F4: Moves 1 item to right.

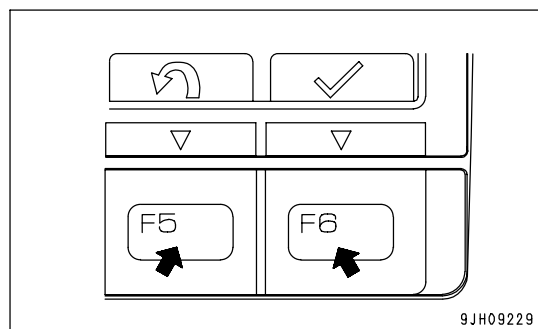
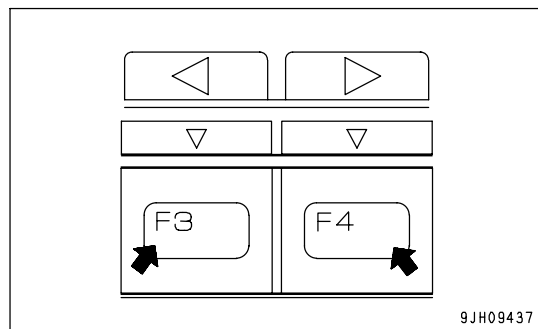
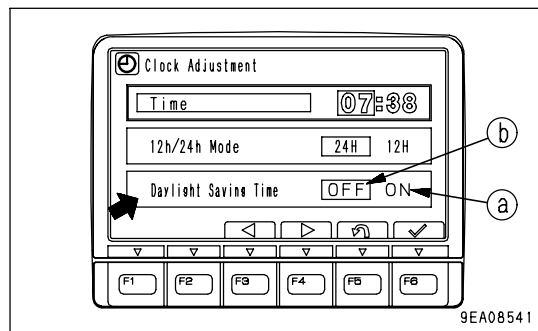
F5: Cancels change and returns to user menu.

F6: Accepts change and goes to setting for "Time".

If the setting has been changed, always press switch F6.

REMARK

Daylight saving time or summer time means moving the clock forward 1 hour to take advantage of the fact that the sun rises early in summer. This system is used in many countries during the summer.

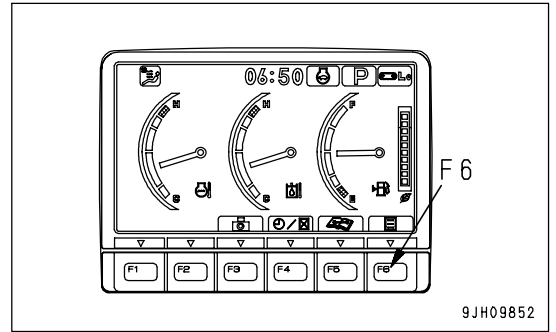


Language Selection

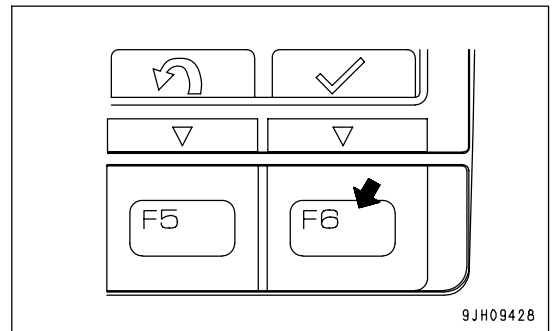
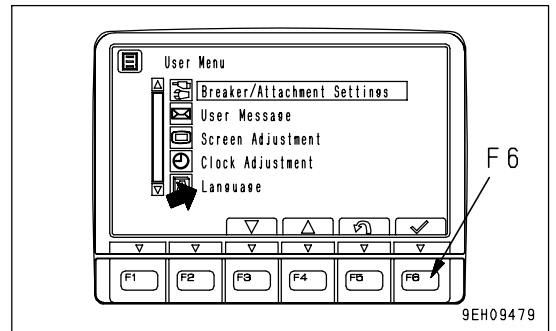
On this language selection menu, it is possible to select the language used on the monitor display.

- The languages that can be selected are as follows.
Japanese, English, Chinese, French, Spanish, Portuguese, Italian, German, Russian, Turkish, Indonesian, Thai

1. On the standard screen, press switch F6.



2. Select "Language" on the user menu, then press switch F6.
The screen switches to the language selection menu screen.



3. Select the language to use for the display, then press switch F6. The screen display changes to the selected language.

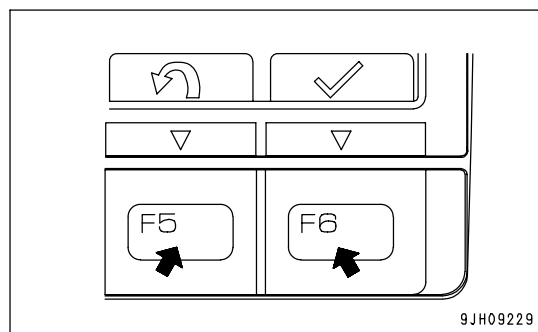
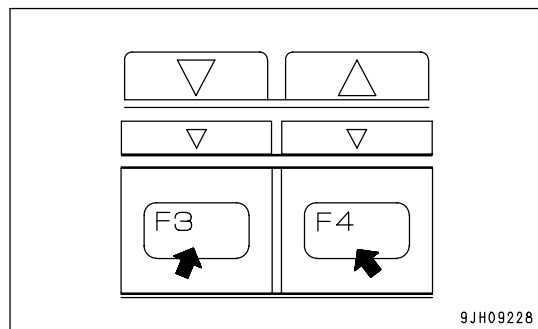
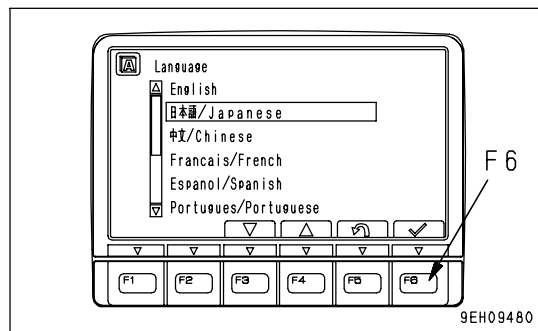
- On the language selection screen, it is possible to perform the following operations with switches F3 to F6.

F3: Moves to item below.

F4: Moves to item above.

F5: Cancels change and returns to user menu screen.

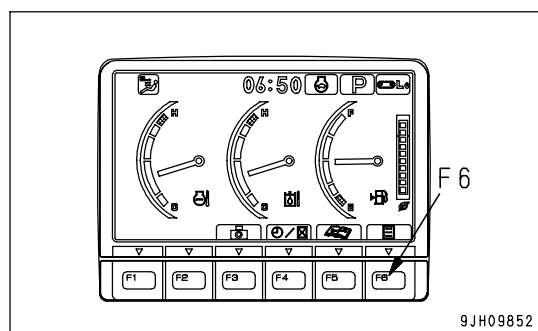
F6: Accepts change and returns to user menu screen.



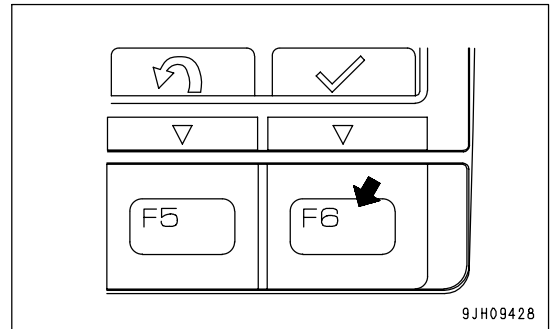
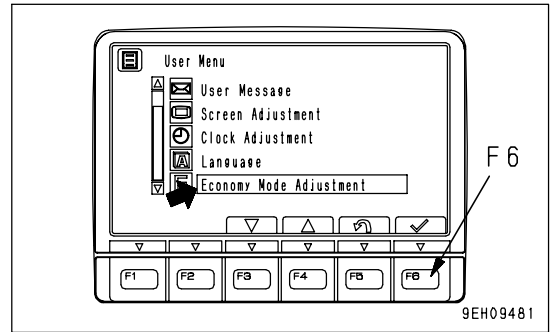
Adjusting Economy Mode

With this economy mode, the engine output can be adjusted to improve the fuel consumption in E mode.

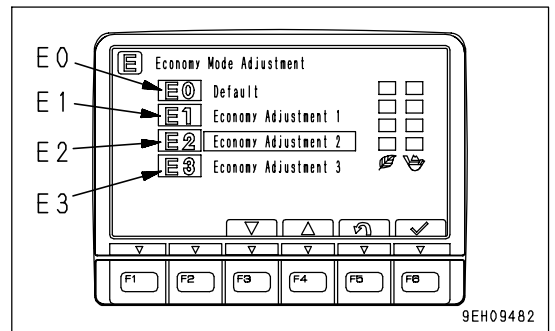
1. On the standard screen, press switch F6.



2. Select "Economy Mode Adjustment" on the user menu, then press switch F6.
The screen switches to the economy mode adjustment selection menu screen.

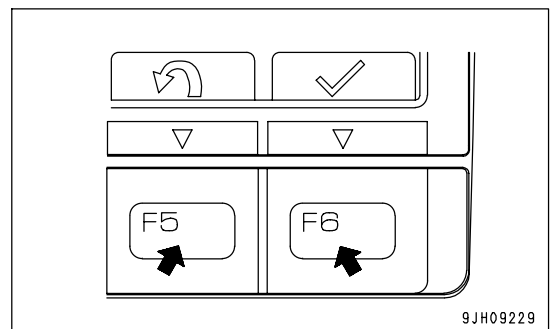
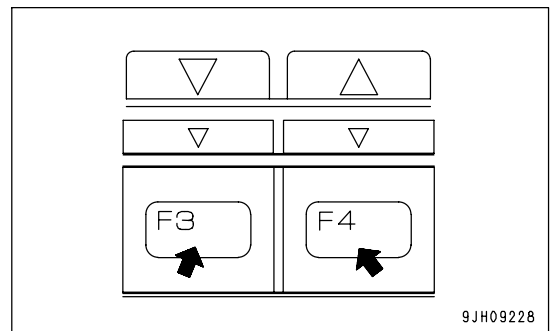


3. Select the desired E mode from the economy mode adjustment selection menu.
The levels that can be set are as follows.
E0: Default
E1: Economy Adjustment 1
E2: Economy Adjustment 2
E3: Economy Adjustment 3

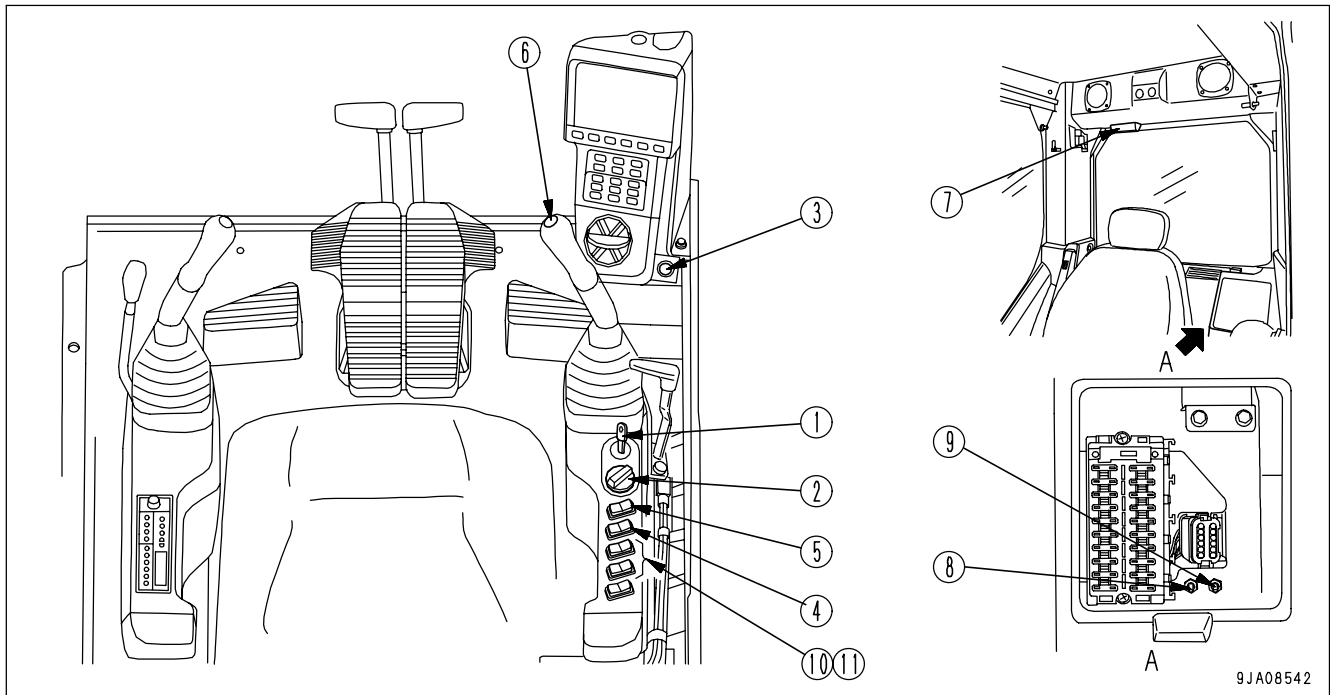


- The higher the selection is made from E0 to E3, the better the fuel consumption becomes, but the production is reduced accordingly.
- When the machine is shipped, it is set to E0.
- On the Economy Mode Adjustment menu screen, it is possible to perform the following operations with switches F3 to F6.

- F3: Moves to item below.
- F4: Moves to item above.
- F5: Cancels change and returns to user menu screen.
- F6: Accepts change and returns to user menu screen.



SWITCHES



- (1) Starting switch
- (2) Fuel control dial
- (3) Cigarette lighter
- (4) Swing lock switch
- (5) Lamp switch
- (6) Horn switch
- (7) Room lamp switch
- (8) Emergency pump drive switch
- (9) Swing parking brake release switch
- (10) Revolving warning lamp switch (if equipped)
- (11) Roof glass wiper switch (if equipped)

Starting Switch

Starting switch (1) is used to start or stop the engine.

(A): OFF position

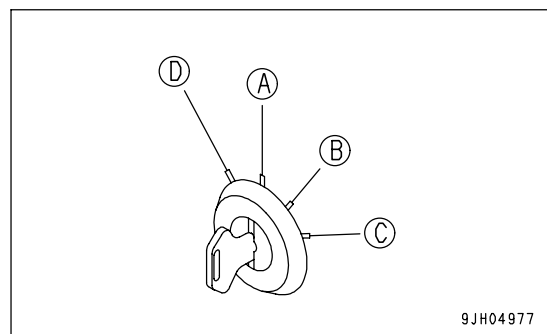
The key can be inserted or withdrawn. Switches for the electrical system (except room lamp), are all turned off and the engine is stopped.

(B): ON position

Electric current flows through the charging and lamp circuits. Keep starting switch key in ON position while the engine is running.

(C): START position

This is the engine-start position. Keep the key at this position during cranking. Immediately after starting the engine, release the key. It will automatically return to ON position (B).



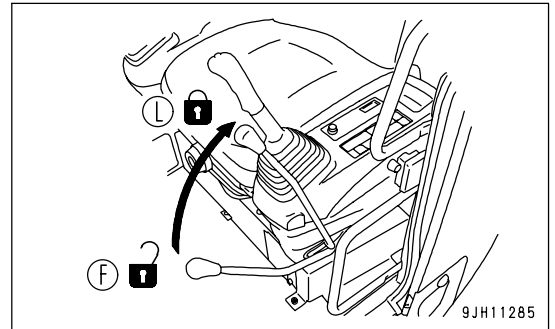
(D): HEAT position

Set to this position when starting the engine in cold weather.

When the starting key is turned to HEAT position (D), the preheating monitor lights up. Keep the key in this position until the preheating monitor flashes. When the preheating monitor flashes, release the key immediately. When the key is released, it will return automatically to OFF position (A), so turn it immediately to START position (C) and start the engine.

REMARK

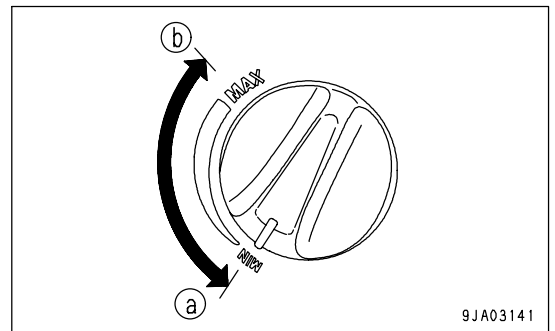
The engine does not start, if the lock lever is not in the LOCK position (L). Make sure first that the lock lever is in the LOCK position (L), and then turn the engine starting switch.



Fuel Control Dial

Use this dial (2) to control the engine rotating speed and output.

- (a) Low idle (MIN): Turn dial fully to left
- (b) High idle (MAX): Turn dial fully to right



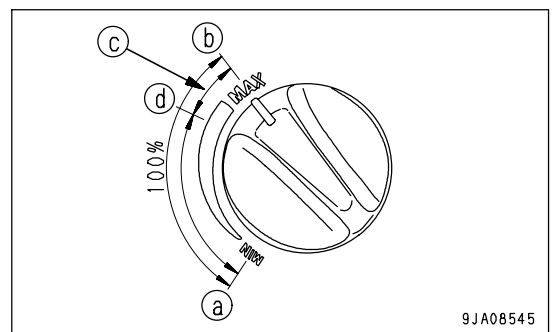
REMARK

On this machine, the engine is electronically controlled to give the optimum matching with the main pump. There is an area without any feeling on the dial, but this is not an abnormality.

Range (c): No feeling (engine speed constant)

- P mode: 22%
- E mode: 30%

Position (d): High idling



Cigarette Lighter

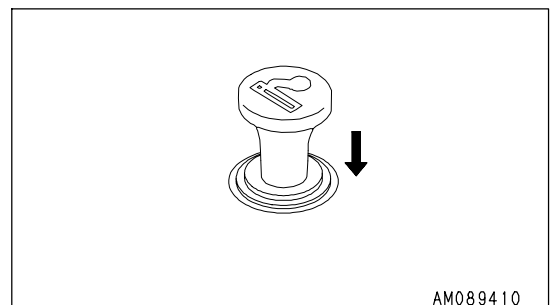
This switch (3) is used when lighting cigarettes.

When the cigarette lighter is pushed in, it will return to its original position after several seconds, so pull it out to use it.

If the cigarette lighter is removed, the socket can be used as an 85 W (24 V x 3.5 A) power source.

NOTICE

This cigarette lighter is for 24 V. Do not use it as the power source for 12 V equipment.



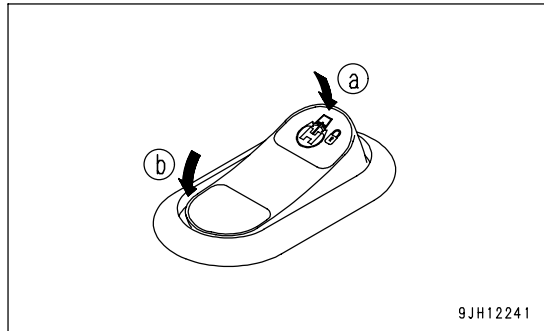
Swing Lock Switch

WARNING

- When not using the swing operation, e.g. when traveling, put the swing lock switch to ON position.
- On slopes, even when the swing lock switch is at ON position, the weight of the work equipment may cause the upper structure to swing if the swing control lever is operated in the downhill direction.

This switch (4) is used to lock the upper structure so that it cannot swing.

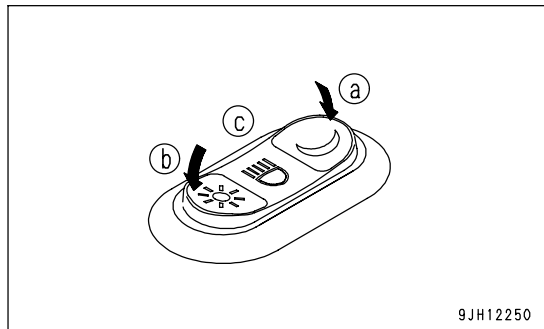
- (a) ON position (actuated): The swing lock is always applied, and the upper structure will not swing even if the swing is operated. In this condition, the swing lock lamp lights up.
- (b) OFF position (canceled): The swing lock is released, when operating the swing control lever, allowing the upper structure to swing. In this condition, the swing lock lamp goes out.



Lamp Switch

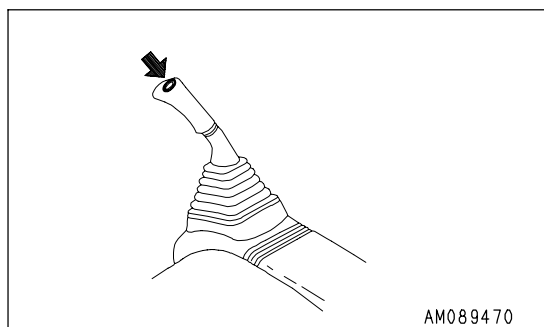
This switch (5) is used to light up the working lamp and monitor lighting.

- (a) Night position: Lamps light up and monitor illumination is set to night mode.
- (b) Day position: Lamps light up and monitor illumination is set to day mode.
- (c) OFF position: Lamps go out. (The monitor illumination is set to day mode.)



Horn Switch

This switch (6) is used to sound the horn. Press the switch on the right work equipment control lever to sound the horn.



Room Lamp Switch

NOTICE

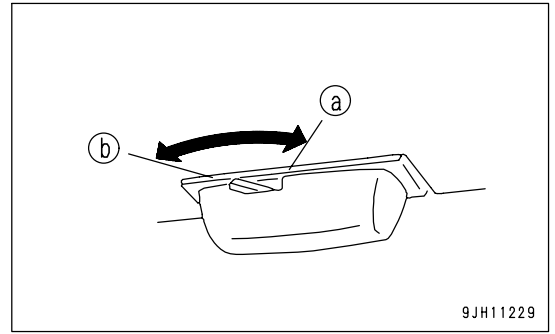
It is possible to turn on the interior cab room lamp even when starting switch is in OFF position, do not forget to turn it off.

Use this switch (7) to light up the room lamp.

(a) ON position: Lamp lights up

(b) OFF position: Lamp goes out

The room lamp lights up even when the starting switch is at the OFF position



Emergency Pump Drive Switch

NOTICE

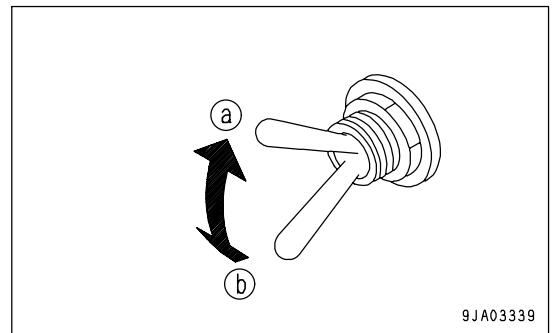
- This switch is provided to enable you to perform operation temporarily, when any problem occurs on the pump control system. Do not use it except in emergency. Furthermore, remove the cause of the problem immediately.
- If this switch is depressed and moved to EMERGENCY position by mistake, thereby engaging the machine in the work, while the machine is in normal condition, an "E02" mark is shown in the display.
- If "E02" is displayed during the work, check that the switch is in NORMAL position.

This switch (8) is used to make it possible to carry out operations temporarily if any problem should occur in the pump control system (when the display shows "E02").

(a) EMERGENCY: When abnormal (move switch up)

(b) NORMAL: When normal (move switch down)

If the display shows "E02", move the switch up to make it possible to carry out work.



Swing Parking Brake Cancel Switch

NOTICE

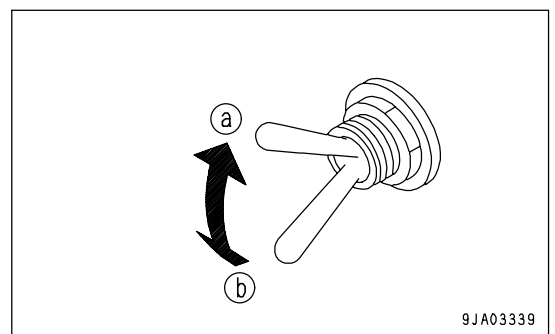
This switch makes it possible to perform swing operations for a short time even when there is a problem in the swing parking brake system. DO NOT use this switch except in emergencies. Repair the problem as soon as possible.

This switch (9) is used to make it possible to carry out operations temporarily if any problem should occur in the swing parking brake system (when the upper structure does not swing but the display does not show "E03").

(a) FREE: When abnormal (move switch up)

(b) NORMAL: When normal (move switch down)

- If the display does not show "E03", move the switch up to FREE position (a) to make it possible to carry out work.
- When the switch is moved to FREE position (a), the swing lock monitor flashes.



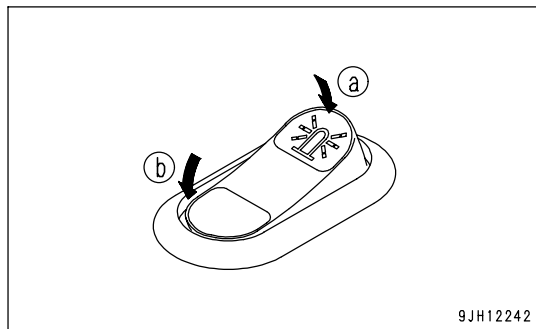
Revolving Warning Lamp Switch

(if equipped)

Use this switch (10) to light up the yellow rotating lamp on top of the cab.

(a) ON: Lamps light up

(b) OFF: Lamps go off



Roof Glass Wiper Switch

(if equipped)

Use this switch (11) to operate the wiper and spray out washer fluid for the glass in the cab roof.

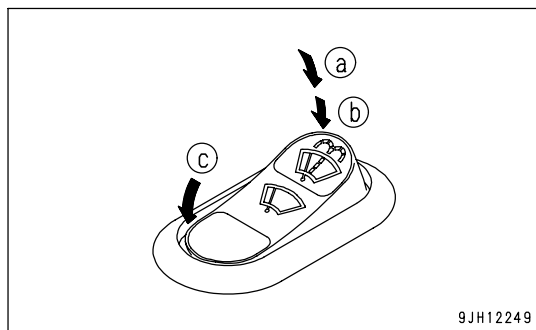
Wiper position (a): Roof glass wiper is actuated

Washer position (b) is as:

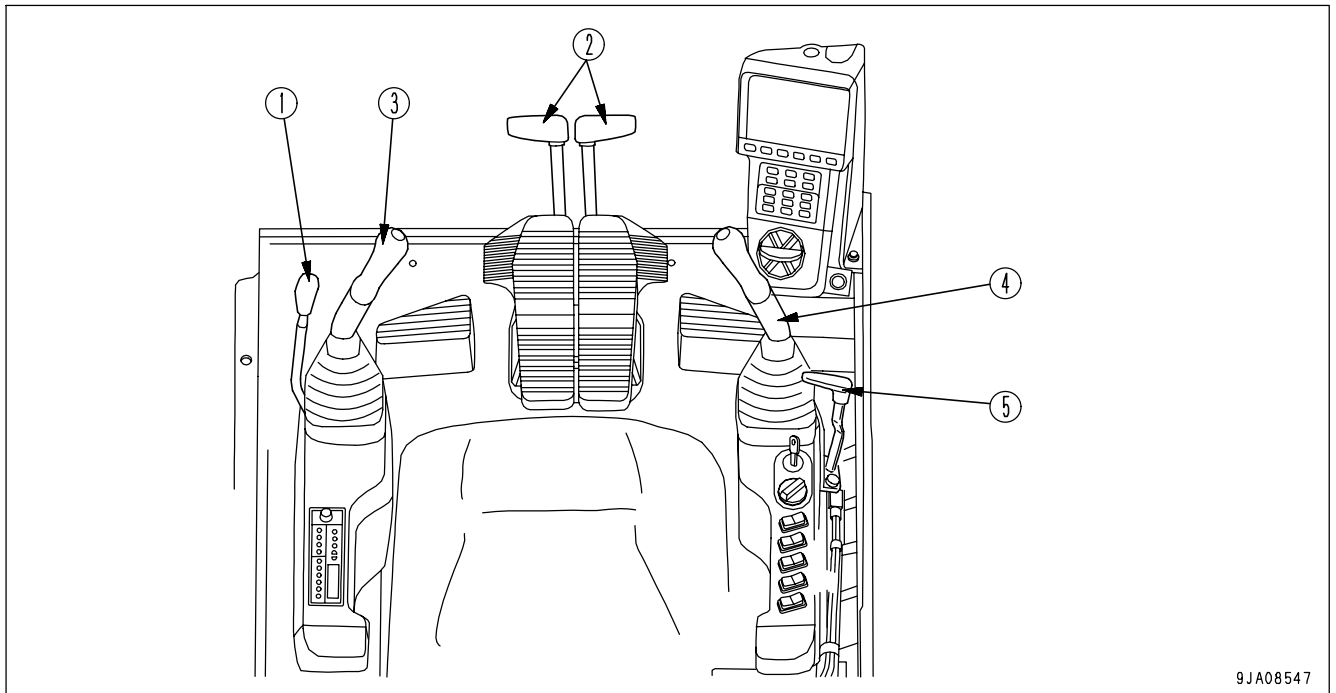
When the switch is kept pressed, washer fluid is sprayed out onto the roof glass and the wiper is actuated.

When the switch is released, it returns to position (a). The washer fluid stops, and only the roof glass wiper continues to be actuated.

Stop position (c): Roof glass wiper stops



CONTROL LEVERS AND PEDALS



9JA08547

- | | |
|--|---|
| (1) Lock lever | (4) Right work equipment control lever
(with auto-deceleration system) |
| (2) Travel levers
(with pedal and auto-deceleration system) | (5) Blade control lever (blade specification) |
| (3) Left work equipment control lever
(with auto-deceleration system) | |

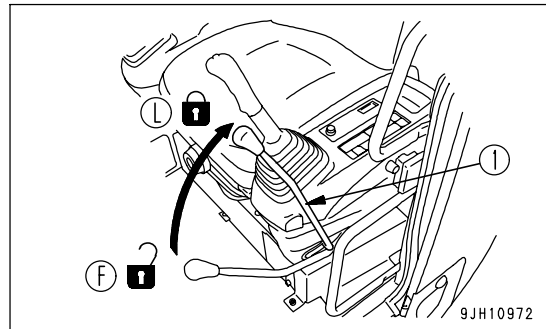
Lock Lever

! WARNING

- When leaving the operator's compartment, set the lock lever securely to LOCK position. If the lock lever is not at LOCK position and the control levers or control pedals are touched by mistake, it may lead to serious personal injury.
- Check that the condition of the lever is as shown in the figure.
- When pulling the lock lever up, be careful not to touch the work equipment control lever.
When pushing the lock lever down, be careful not to touch the work equipment control lever.

This lever (1) is a device to lock the work equipment, swing, travel, and attachment (if equipped) control levers.

- (L) LOCK position: Even when levers or attachment control pedal (if equipped) are operated, machine does not move
- (F) FREE position: Machine moves according to operation of levers or attachment control panel (if equipped)



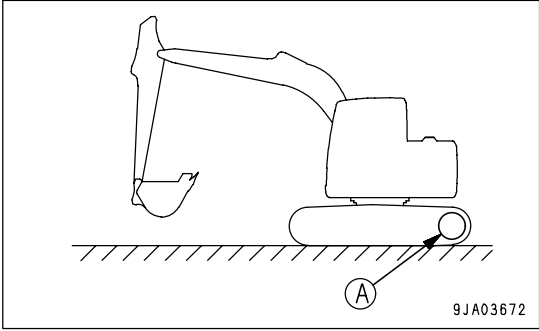
REMARK

This lock lever is of hydraulic lock type. Accordingly, when it is in LOCK position (L), the control levers or control pedals move but the machine does not move.

Travel Levers

WARNING

- Do not rest your foot on the pedal. If you perform operations with your foot on the pedal, the machine may suddenly start if pressure is applied by mistake to the pedal, and this may lead to serious personal injury. Be extremely careful when using the pedal for travel and steering operations, and do not put your foot on the pedal when it is not necessary.
- When the track frame is facing the rear, the direction of operation of the steering lever is the opposite to the direction of movement of the machine (forward/reverse, left/right turn).
When operating the travel lever, always check if the track frame is facing the front or the rear. (When the sprocket (A) is at the rear, the track frame is facing the front.)

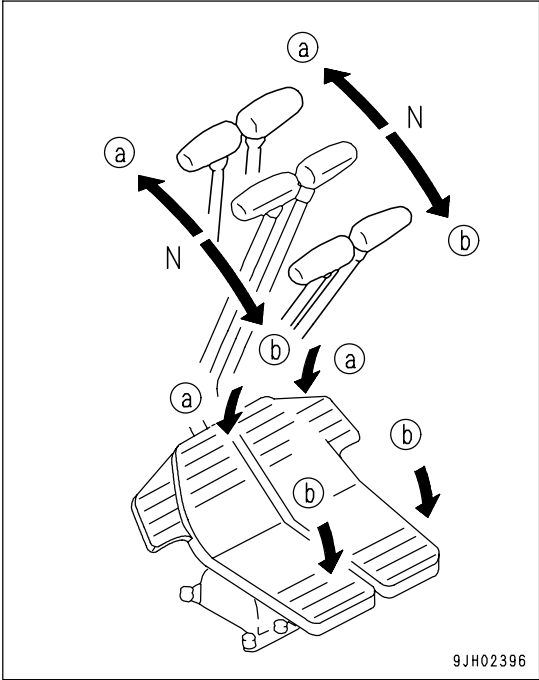


This lever (2) is used to change the direction of travel between forward and reverse. () shows the pedal operation.

- (a) FORWARD: The lever is pushed forward
(The pedal is angled forward)
- (b) REVERSE: The lever is pulled back
(The pedal is angled back)
- N (NEUTRAL): The machine stops

REMARK

If the lever is shifted to FORWARD or REVERSE position from NEUTRAL position, the alarm sounds to warn that the machine is starting to move.



Work Equipment Control Lever

This left work equipment control lever (3) is used to operate the arm and upper structure.

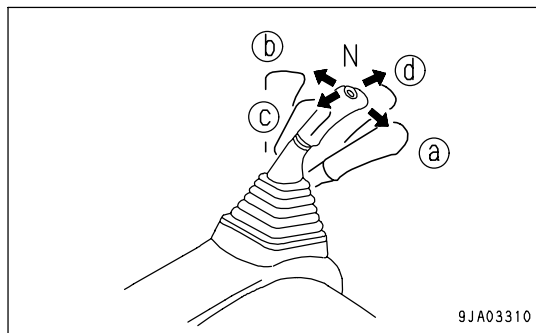
Swing operation

- (a) Swing to right
- (b) Swing to left

Arm operation

- (c) Arm IN
- (d) Arm OUT

N (Neutral): The upper structure and arm are held in that position when they come to a stop and do not move.



This right work equipment control lever (4) is used to operate the boom and bucket.

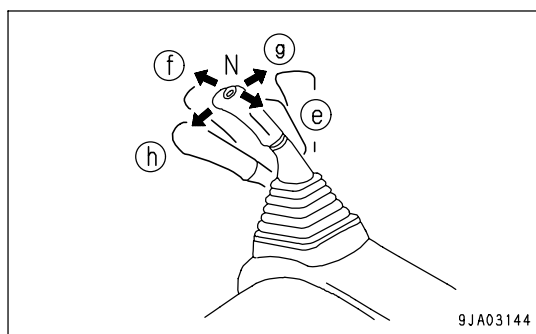
Boom operation

- (e) RAISE
- (f) LOWER

Bucket operation

- (g) DUMP
- (h) CURL

N (Neutral): The boom and bucket are held in that position when they come to a stop and do not move.

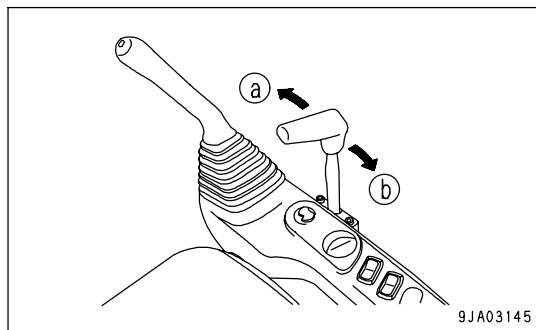


Blade Control Lever

(Only machines with blade specification)

Use this lever (5) to operate the blade.

- (a): LOWER
- (b): RAISE



SUN ROOF

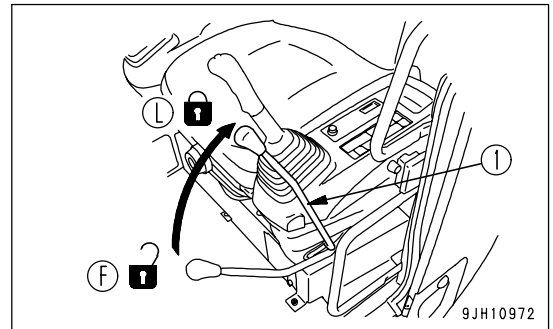
**WARNING**

When leaving the operator's seat, set the lock lever securely to LOCK position.

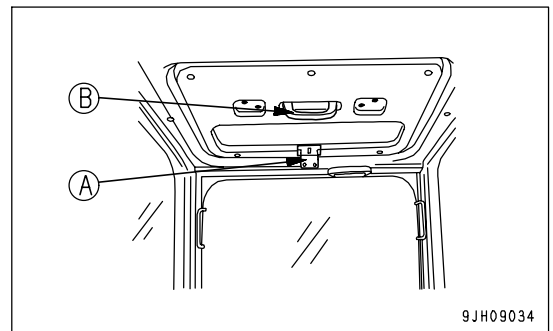
If the lock lever is at FREE position and the control levers or control pedals is touched by mistake, this may lead to a serious accident.

Opening

1. Set the lock lever (1) securely to LOCK position (L).



2. Push up lock (A) in the front center of the roof window and check that the lock is released. Then hold grip (B) and push up the roof window.

**Closing**

Hold grasping grip (B), lower the ceiling window, and apply lock (A). If the lock cannot be applied, open the ceiling window, then pull it in again and apply the lock.

WINDSHIELD

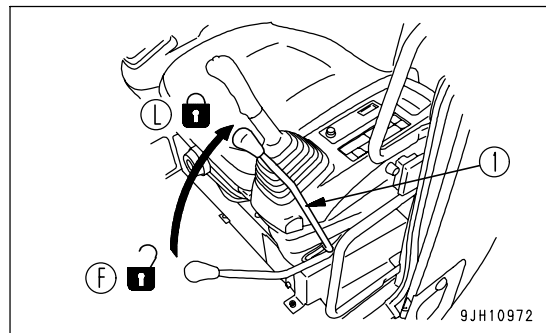
! WARNING

- When opening or closing the front window, bottom window, or door, always set the lock lever to LOCK position. If the lock lever is at FREE position and the control levers or control pedals is touched by mistake, this may lead to a serious accident.
- When opening or closing the front window, stop the machine on horizontal ground, lower the work equipment completely to the ground, stop the engine, then perform the operation.
- When opening the front window, hold the grip securely with both hands, pull up, and do not let go until the automatic lock catch is locked.
- When closing the front window, the window will move quicker under its own weight. Hold the grips securely with both hands when closing it.

It is possible to stow (pull up) the front window in the roof of the operator’s compartment.

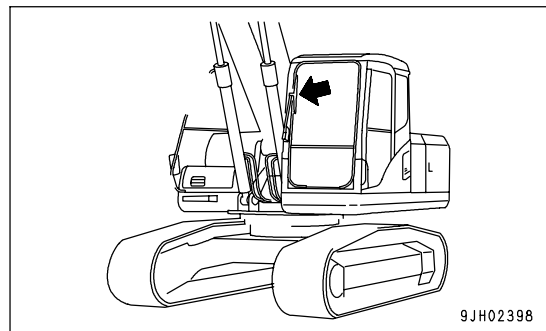
Opening

1. Stop the machine on level ground, lower the work equipment completely to the ground, then stop the engine.
2. Set the lock lever (1) securely to LOCK position (L).



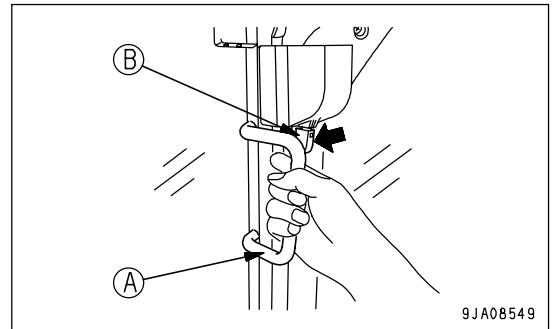
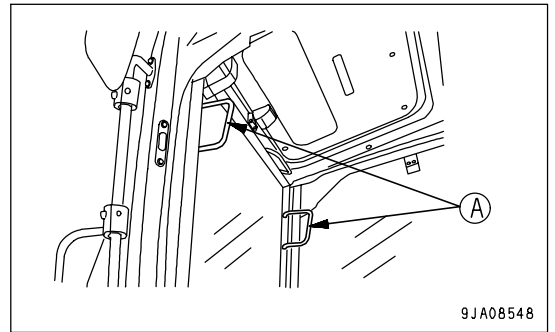
9JH10972

3. Check that the wiper blade is stowed in the right stay.

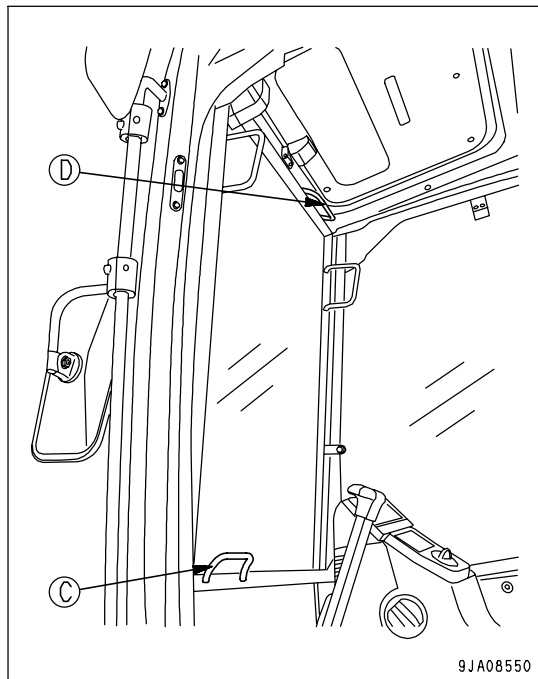


9JH02398

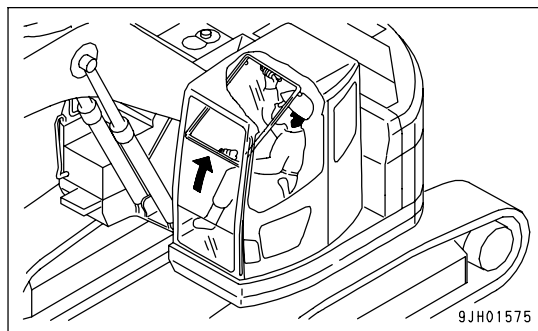
4. Hold 2 grips (A) on the left and right top sides of the front window, and pull the 2 levers (B) to release the locks at the top of the front window. The top of the front window will come out.



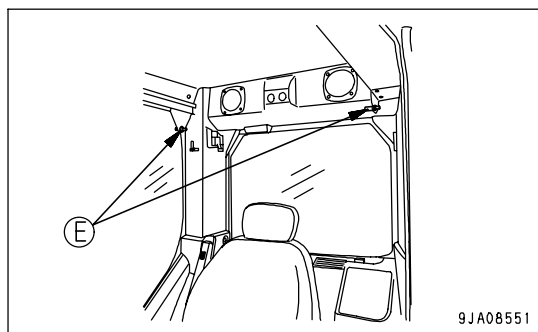
5. Hold lower knob (C) with your left hand from inside the operator's cab, and with your right hand, grip top knob (D), pull it up, and push it against lock catch (E) at the rear of the cab securely to lock the window.



9JA08550



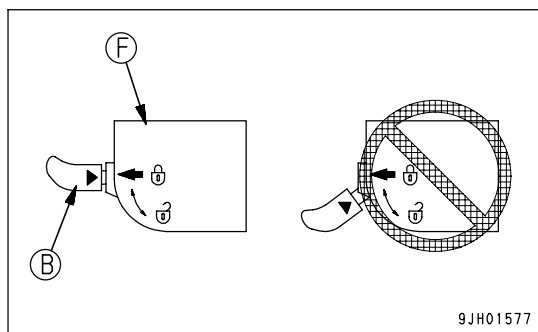
9JH01575



9JA08551

6. Check that lever (B) is securely at LOCK position.

- The lock is engaged if the arrow on lock case (F) matches the position of the arrow on lever (B). Check visually.
- If the arrow on lock case (F) does not match the position of the arrow on lever (B), the lock is not engaged. Repeat the operation in step 5 to engage the lock.



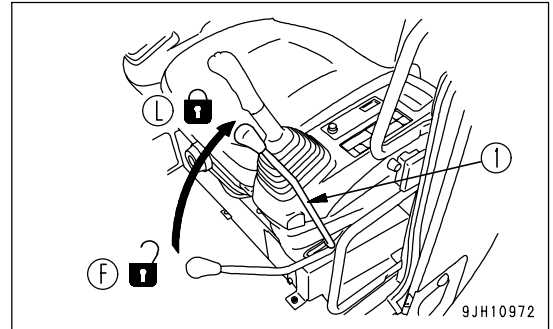
9JH01577

Closing

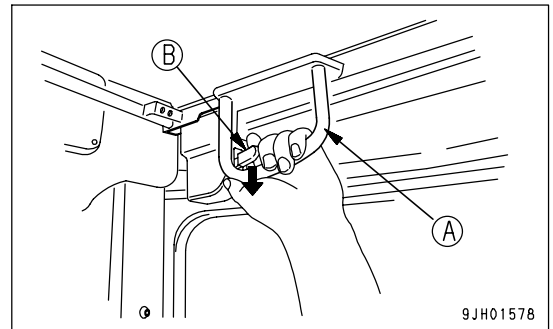
**WARNING**

When closing the window, lower it slowly and be careful not to get your hand caught.

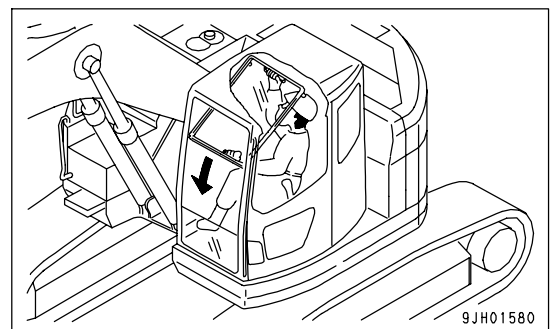
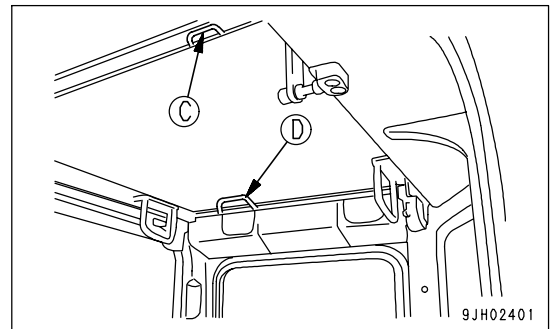
1. Stop the machine on level ground, lower the work equipment completely to the ground, then stop the engine.
2. Set the lock lever (1) securely to LOCK position (L).



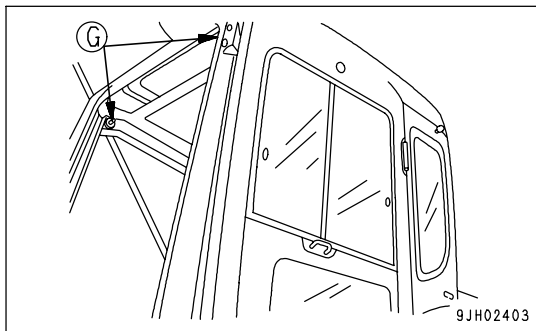
3. Grip left and right handles (A), and pull down lever (B) to release the lock.



4. Grip handle (C) at the bottom of the front window with your left hand and handle (D) at the top with your right hand, push to the front, then lower slowly.

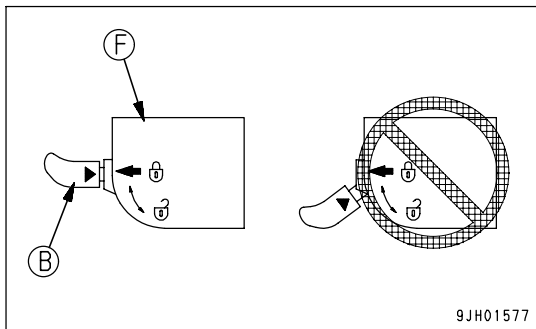


5. When the bottom of the window reaches the top of the bottom window, push the top of the window to the front to push it against left and right lock catches (G) and engage the lock.



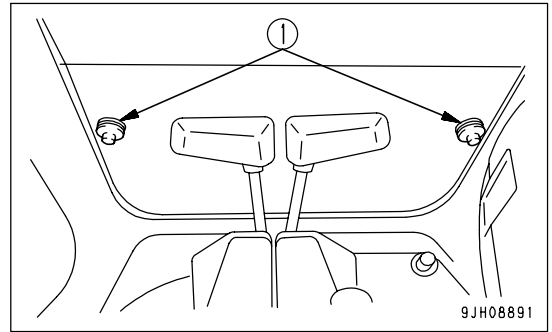
6. Check that lever (B) is securely at LOCK position.

- The lock is engaged if the arrow on lock case (F) matches the position of the arrow on lever (B). Check visually.
- If the arrow on lock case (F) does not match the position of the arrow on lever (B), the lock is not engaged. Repeat the operation in step 5 to engage the lock.



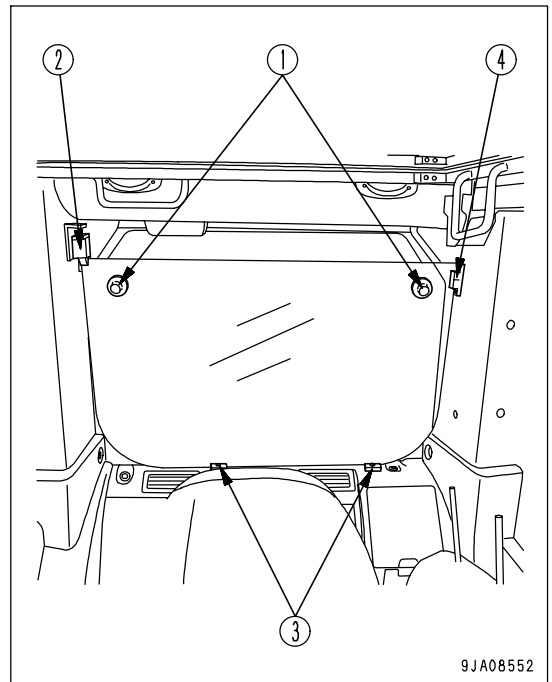
Removing Lower Windshield

1. Open the front window, then hold grip (1), pull up, and remove the bottom window.



2. After removing the bottom window, store it at the rear of the operator's cab and lock it securely with lock (2). The procedure for stowing is as follows.

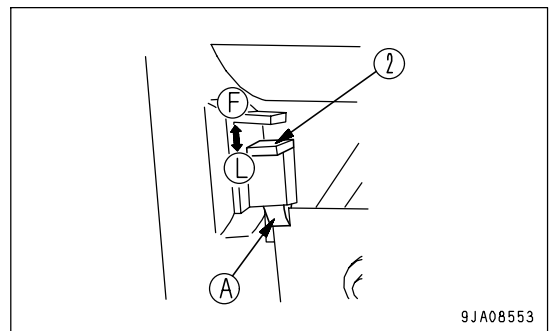
- 1) Set it with the protruding part of grip (1) on the glass on the inside and insert the bottom of the glass into the groove in seat (3).
- 2) Insert the top right of the glass into the groove in seat (4).



- 3) Push lock (2) to free position (F). Tooth (A) will come up, so push the glass against it, then release lock (2) and secure the top of the glass. When lock (2) is released, it will return to LOCK position (L) and tooth (A) will go down.

NOTICE

When stowing the glass, lock it securely and check that there is no play. If there is play or the lock is not properly applied, there is danger that the glass may fall.

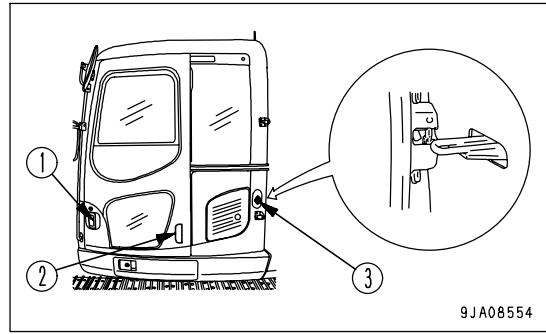


- 4) When removing the bottom window from the stowing position, perform the stowing procedure in the reverse order.

SLIDING DOOR

⚠ CAUTION

- Be sure to check that the sliding door is locked in position both when it is open and when it is closed.
- Always stop the machine on level ground when opening or closing the door.
If the door is opened or closed on a slope, there is danger that the operating effort will suddenly change. Do not open or close the door on slopes.
- When opening or closing the door, always use door handle (1) and knob (2).
- Be careful not to get your hands caught between the front pillar or center pillar.
- If there is anyone inside the cab, call out to that person before opening or closing the door.



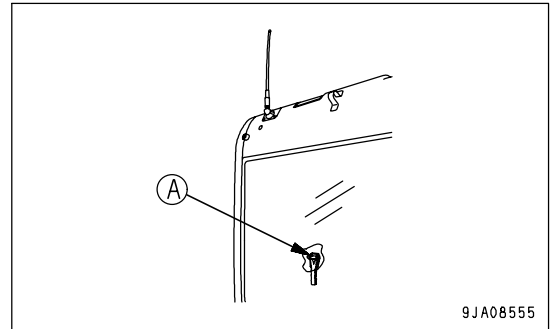
Door Lock

When closing the door, pull the handle back to remove lock (3), then pull the door to the front.

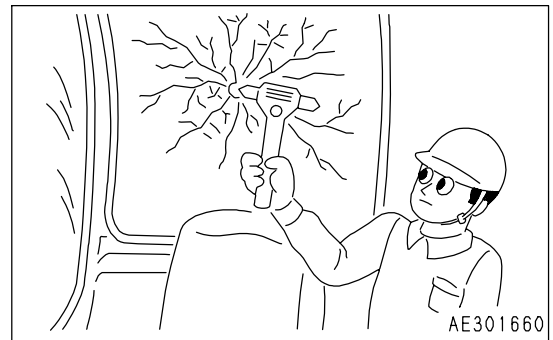
EMERGENCY ESCAPE HAMMER**CAUTION**

- If it is necessary to break the window glass with the hammer, be extremely careful not to injure yourself on the flying pieces of broken glass.
- To prevent injury, remove the broken pieces of glass remaining in the frame before escaping through the window. Be careful also not to slip on the broken pieces of glass.

If it should become impossible to open the cab door for any reason, and it is necessary to make an emergency escape from the operator's compartment, use hammer (A) to escape.



To escape from the operator's cab, use hammer (A) to break the glass and escape through the window.

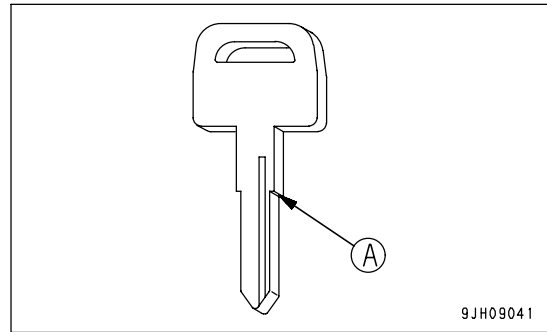


CAP WITH LOCK

Use the starting switch key to open and close the locks on the caps and covers.

For details of the locations of the caps and covers with locks, see "LOCKING (PAGE 3-179)".

Insert the key as far as it will go to the shoulder (A). If the key is turned before it is inserted all the way, it may break.



9JH09041

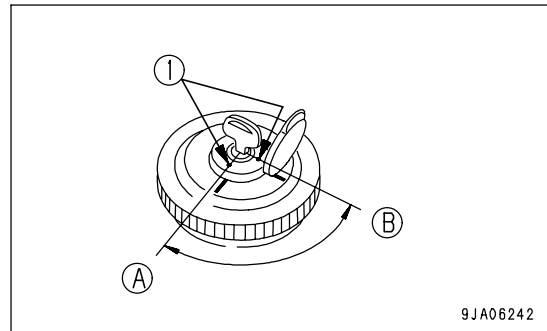
Opening and Closing Caps with Lock

Opening the Cap

1. Insert the key into the key slot.
2. Turn the key clockwise, align the key groove with mark (1) on the cap, then open the cap.

Position (A): OPEN

Position (B): LOCK



9JA06242

Locking the Cap

1. Turn the cap until tight, then insert the key into the key slot.
2. Turn the starting switch key to LOCK position (B), then remove the key.

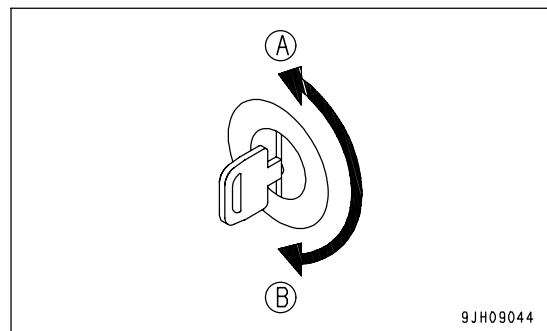
Opening and Closing Covers with Lock

Opening the Cover

1. Insert the key into the key slot.
2. Turn the key counterclockwise and open the cover by pulling the cover grip.

(A): OPEN

(B): LOCK



9JH09044

Locking the Cover

1. Close the cover and insert the key into the key slot.
2. Turn the key clockwise and take the key out.

ENGINE HOOD



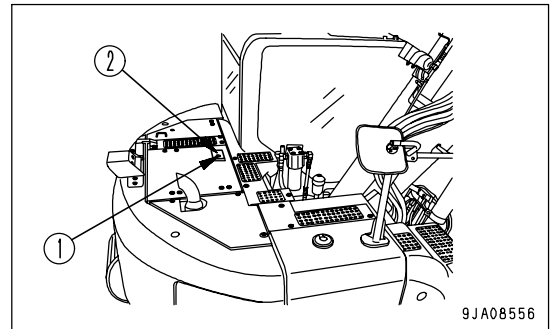
CAUTION

When carrying out inspection and maintenance inside the engine hood, always use the hood support lever to hold the engine hood open.

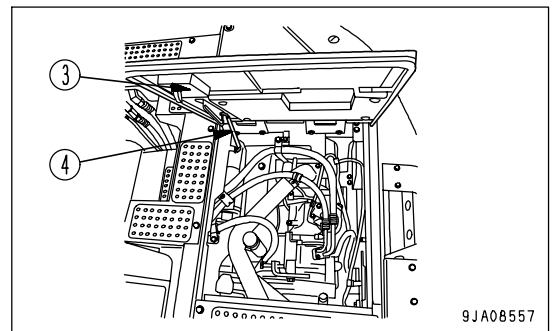
NOTICE

Always keep the hood locked except when opening it.

1. Release lock (1) of the engine hood.
(For details see "Opening and Closing Covers with Lock (PAGE 3-86)".)
2. Locking can be released by pulling engine hood release lever (2).



3. Pull up engine hood (3) and put engine hood support lever (4) in the position to secure the engine hood.
4. When closing engine hood (3), lower engine hood support lever (4) slowly to the sliding position and then lock the hood securely.
5. Do not forget to lock the engine hood.



CAB REAR COVER



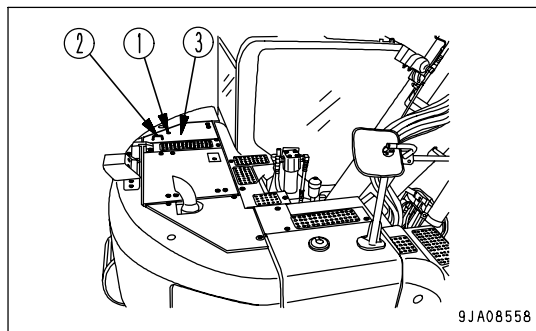
CAUTION

When carrying out inspection and maintenance inside the cover, always use the cover support lever to hold the cover open.

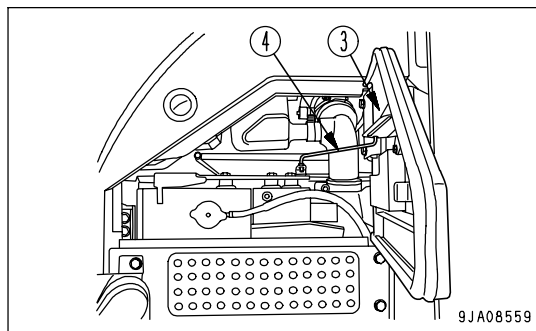
NOTICE

Except when opening the cover for some reason, always keep the cover locked.

1. Release lock (1) of the cover.
(For details see "Opening and Closing Covers with Lock (PAGE 3-86)".)
2. Pull knob (2) and open cover (3).



3. After opening the cover, set cover support lever (4) to hold the cover in position.
4. When closing cover (3), set cover support lever (4) to the slide position, and lower the cover slowly.
5. Lock the cover.



PUMP ROOM DOOR, BATTERY ROOM DOOR

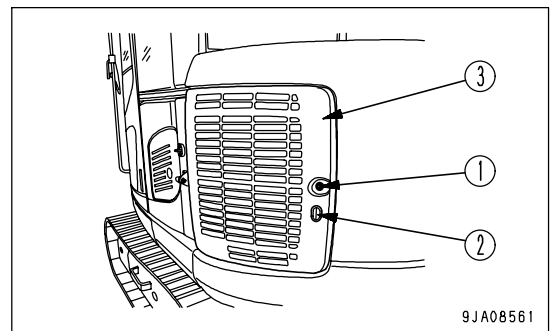
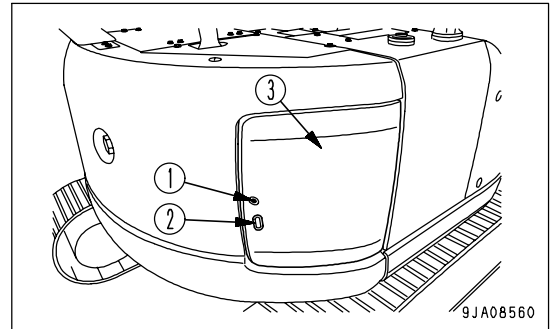

CAUTION

When carrying out inspection and maintenance inside the door, always use the stopper to hold the door open.

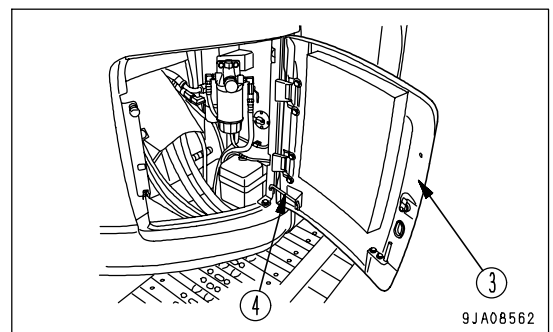
NOTICE

Always keep the door locked except when opening it.

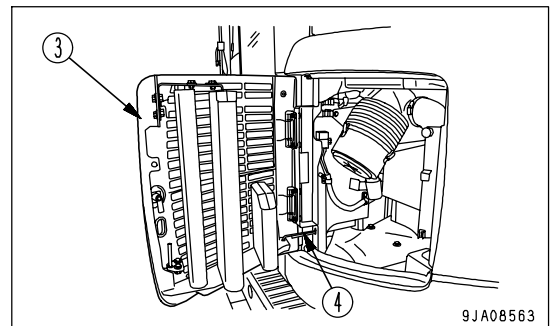
1. Release lock (1) of door.
(For details see "Opening and Closing Covers with Lock (PAGE 3-86)".)
2. Put a finger in hook (2) and pull door (3) open.



3. Insert rod (4) in the groove to secure the door.
4. When closing door (3), pull up rod (4) and remove it from the groove.
5. Do not forget to lock the door.

**REMARK**

The pump room door is on the right side of the machine; the battery room door is on the left side of the machine.



DOOR AT FRONT OF TOOL BOX

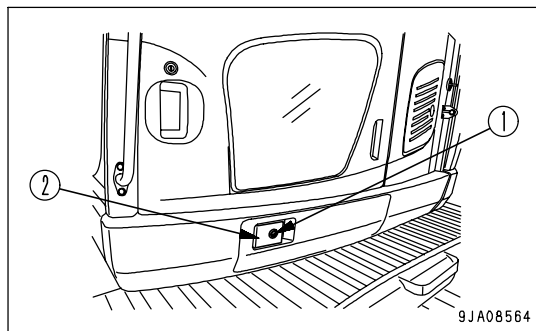


When carrying out inspection and maintenance inside the door, always use the stopper to hold the door open.

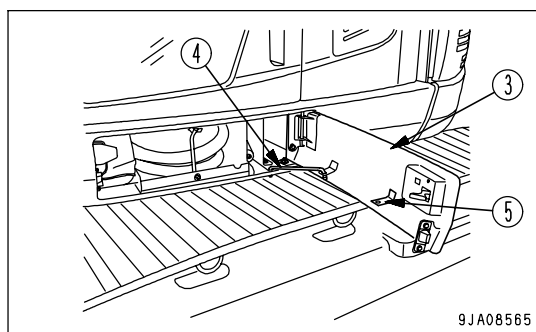
NOTICE

Always keep the door locked except when opening it.

1. Release lock (1) of door.
(For details see "Opening and Closing Covers with Lock (PAGE 3-86)".)
2. Pull door lever (2) to release the lock.

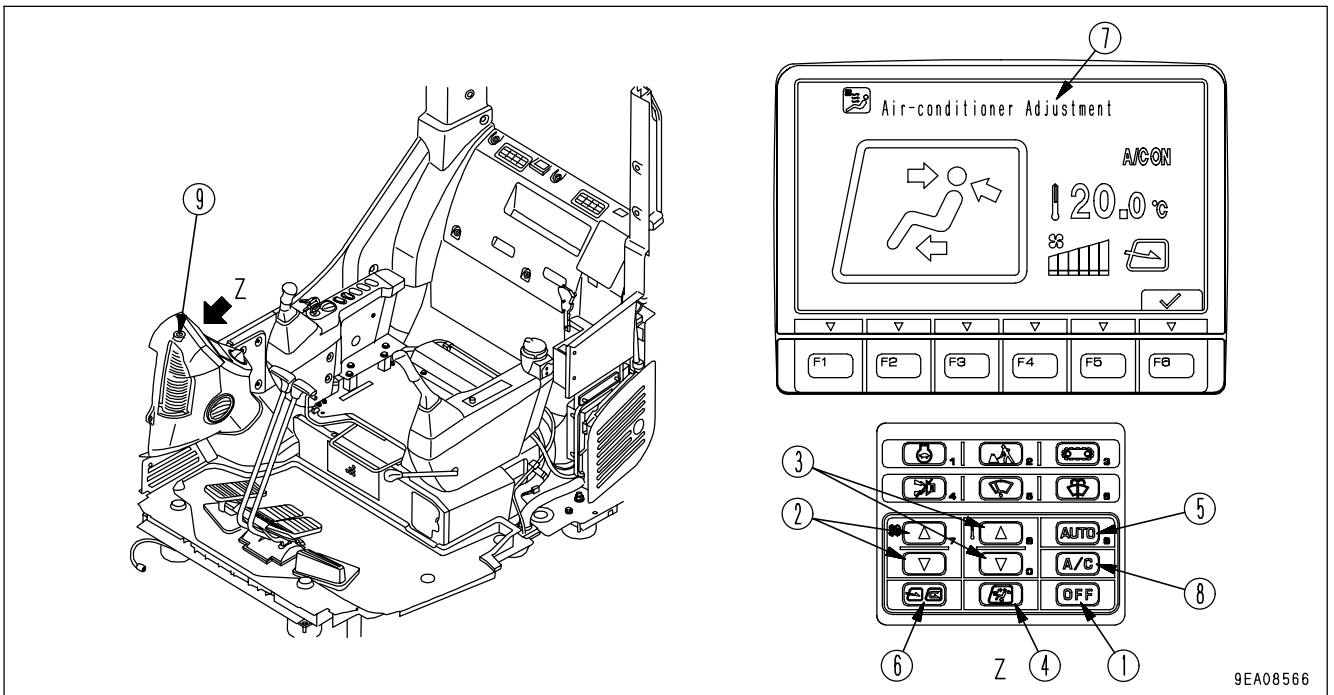


3. Pull door (3) to open it, remove door support lever (4) from spring catch (5), then insert the L-shaped portion in the hole in the frame.
4. To close door (3), lift up door support lever (4), fix it to spring catcher (5) and close it.
5. Do not forget to lock the door.



AIR CONDITIONER CONTROLS

Air Conditioner Control Panel



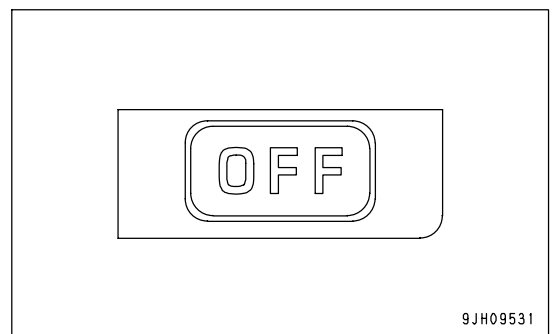
- (1) OFF switch
- (2) Fan switch
- (3) Temperature control switch
- (4) Vent selector switch
- (5) Auto switch
- (6) FRESH/RECIRC selector switch
- (7) Display monitor
- (8) Air conditioner switch
- (9) Sunlight sensor

OFF Switch

Switch (1) is used to stop the fan and air conditioner.

REMARK

Even if this switch (1) is pressed, the monitor screen does not switch to the air conditioner adjustment screen.

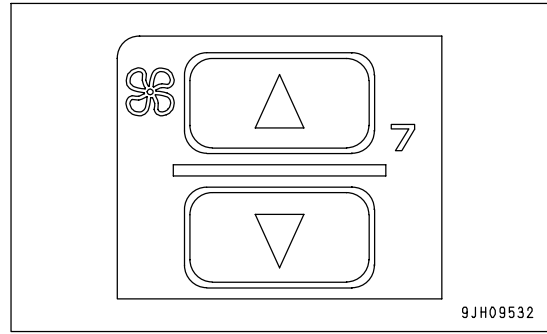


9JH09531

Fan Switch

Switch (2) is used to adjust the air flow.
The air flow can be adjusted to 6 levels.

- Press the \triangle switch to increase the air flow; press the ∇ switch to decrease the air flow.
- During auto operation, the air flow is automatically adjusted.



Monitor display and air flow

A: Liquid crystal display

B: Air flow

a: Air flow "low"

b: Air flow "medium 1"

c: Air flow "medium 2"

d: Air flow "medium 3"

e: Air flow "medium 4"

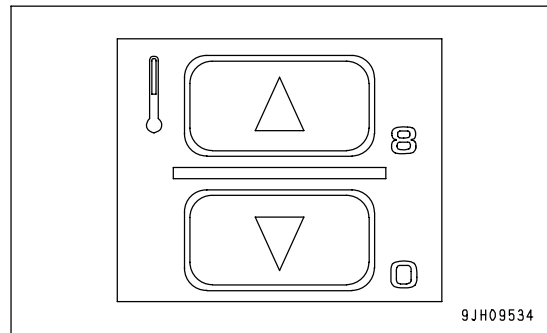
f: Air flow "high"

A	B
	a
	b
	c
	d
	e
	f

Temperature Control Switch

Switch (3) is used to control temperature inside the cab. The temperature can be set between 18°C (64.4°F) and 32°C (89.6°F).

- Press the \triangle switch to raise the set temperature; press the ∇ switch to lower the set temperature.
- The temperature is generally set at 25°C (77°F).
- The temperature can be set in stages of 0.5°C (0.9°F).



<Monitor display and the function>

Monitor display (°C)	Function
18.0	Max. cooling
18.5 to 31.5	Adjusts temperature inside cab to set temperature
32.0	Max. heating

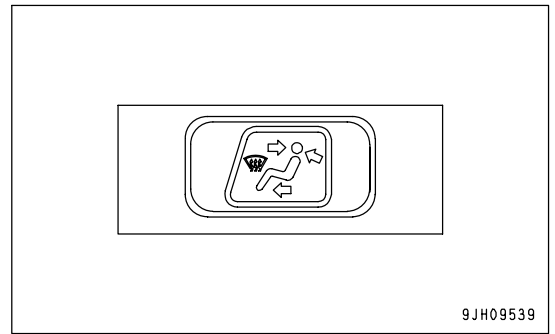
REMARK

If the mode is set to auto mode and the temperature setting is set to 18.0 °C (64.4 °F) or 32.0 °C (89.6 °F), the air flow from the fan is always set to HIGH and does not change even when the set temperature is reached.

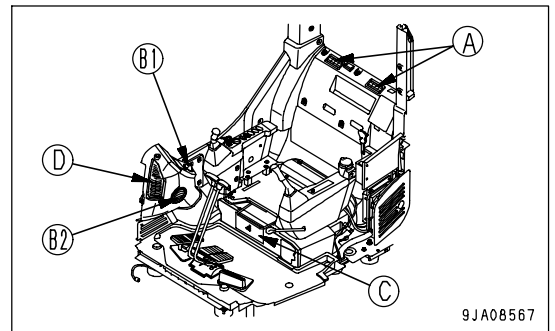
Vent Selector Switch

Switch (4) is used to select the vents.

- When switch (4) is pressed, the display on monitor display (7) switches and air blows out from the vents displayed.
- During automatic operation, the vents are automatically selected.



- (A): Rear vent (2 places)
- (B1): Face vent (1 place)
- (B2): Foot vent (1 place)
- (C): Foot vent (1 place)
- (D): Front window glass vent (2 places)



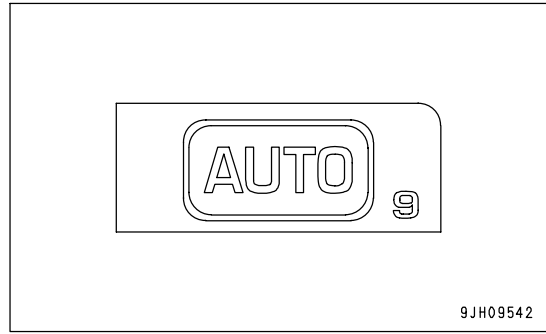
Liquid crystal display	Vent mode	Vent				Remarks
		(A)	(B)	(C)	(D)	
	Front and rear vents	<input type="radio"/>	<input type="radio"/>			-
	Front, rear and foot vents	<input type="radio"/>	<input type="radio"/>	<input type="radio"/>		-
	Foot vent			<input type="radio"/>		-
	Foot vent Defroster vent	<input type="radio"/>		<input type="radio"/>	<input type="radio"/>	Cannot be selected for automatic operation
	Defroster vent	<input type="radio"/>			<input type="radio"/>	Cannot be selected for automatic operation

Note 1: Air blows out from vents marked ○

Auto Switch

With switch (5), the air flow, vents, and air source (FRESH/RECIRC) are automatically selected according to the set temperature.

- Press switch (5), then use temperature control switch (3) to set the temperature, and run the air conditioner under automatic control.
- When switching from automatic operation to manual operation, it is possible to use the switches to select the vents and air source (FRESH/RECIRC).



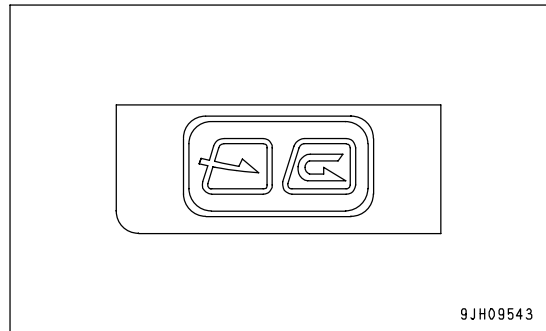
REMARK

When Auto Mode is selected, if the set temperature is set to 18.0 °C (64.4 °F) or 32.0 °C (89.6 °F), the air flow is always set to High, but this is not a problem.

FRESH/RECIRC Selector Switch

Switch (6) is used to switch the air source between recirculation of the air inside the cab and intake of fresh air from the outside.

- During automatic operation, the selection of inside air (RECIRC) and outside air (FRESH) is performed automatically.

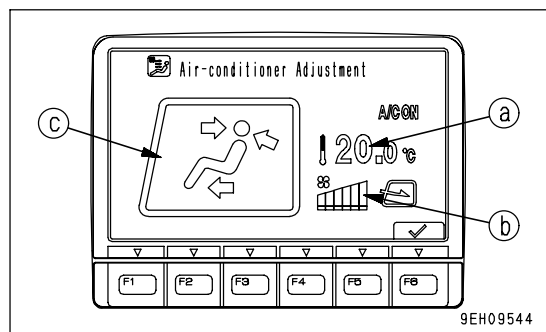


RECIRC	Outside air is shut off and only air inside the cab is circulated. Use this setting to perform rapid cooling of the cab or when outside air is dirty.
FRESH	Outside air is taken into the cab. Use this setting to take in fresh air when performing demisting.

Display Monitor

Monitor (7) displays the state of temperature setting (a), air flow (b), and vents (c).

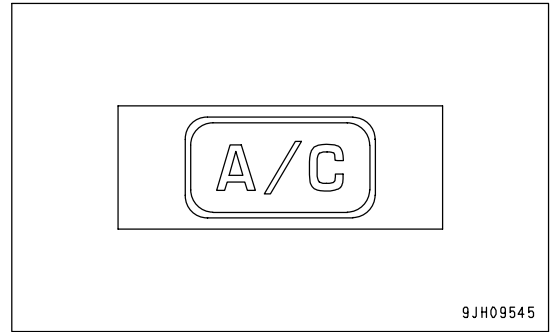
- When OFF switch (1) is pressed, the display of temperature setting (a) and air flow (b) goes out, and operation stops.



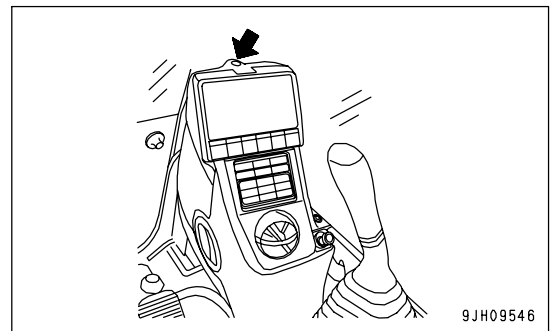
Air Conditioner Switch

Switch (8) is used to turn the air conditioner (cooling, dehumidifying, heating) ON or OFF.

- Press air conditioner switch (8) when the fan is operating (when display (b) is shown on the display monitor). The air conditioner is switched ON and starts to work. Press the switch again to stop the air conditioner.
- Air conditioner cannot be operated while the fan is off.

**Sunlight Sensor**

This sensor (9) automatically adjusts the flow of air from the vents to match the strength of the sun's rays. In addition, it automatically detects changes in the temperature inside the cab caused by changes in the strength of the sun's rays beforehand and automatically adjusts the temperature.



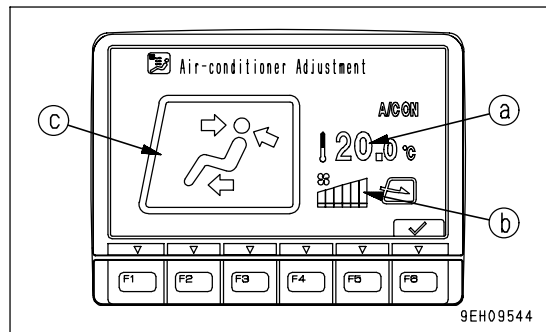
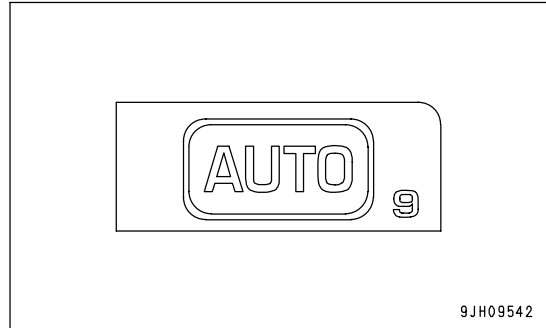
Method of Operation

The air conditioner can be operated automatically or manually. Select the method of operation as desired.

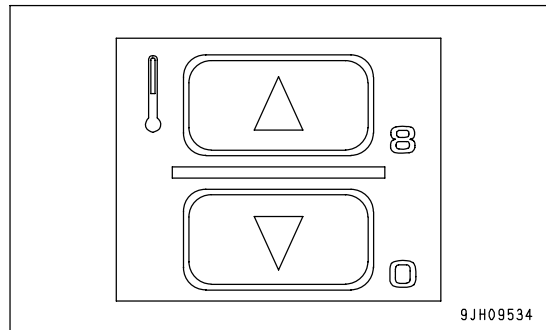
Automatic Operation

1. Press auto switch (5).

- The monitors for the set temperature (a) and air flow (b) are also displayed.

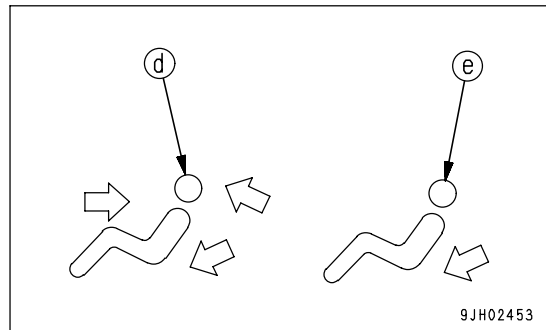


2. Use temperature set switch (3) to set to the desired temperature. The air flow, combination of vents, and selection of fresh or recirculated air is automatically selected according to the set temperature, and the air conditioner is operated automatically to provide the set temperature.



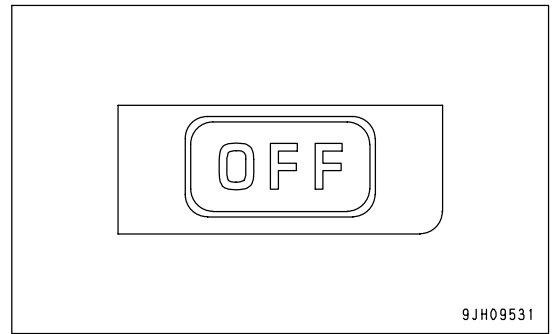
REMARK

When vent display monitor (c) displays (d) or (e), and engine coolant temperature is low, the air flow is automatically limited to prevent cold air from blowing out.



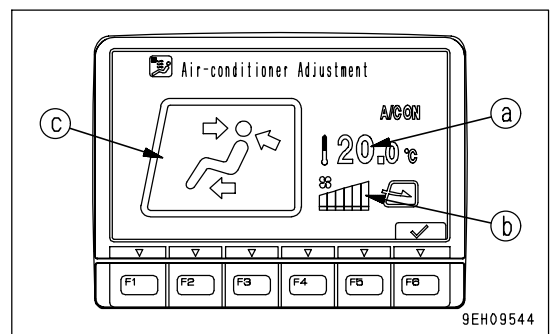
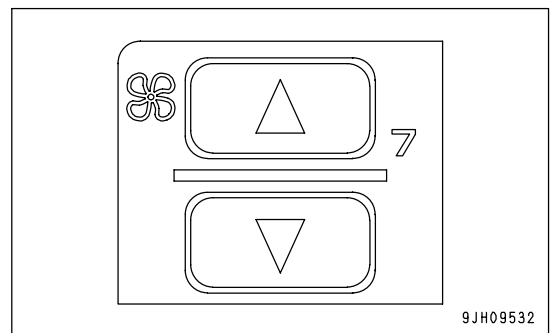
Stopping Automatic Operation

Press OFF switch (1). Operation stops.

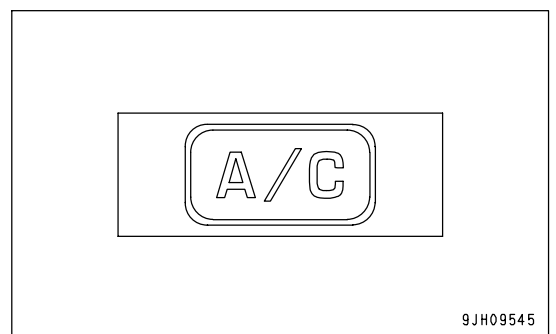


Manual Operation

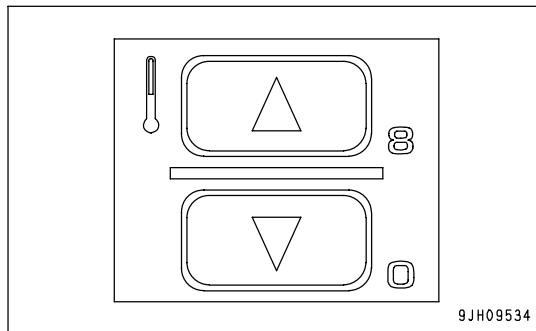
1. Press fan switch (2) and adjust the air flow. When doing this, check that temperature setting (a) and air flow (b) are displayed on the monitor.



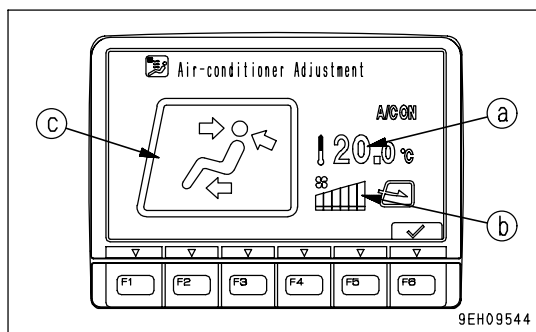
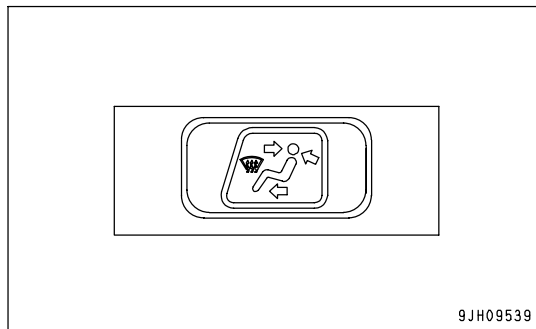
2. Press air conditioner switch (8) to turn the air conditioner ON.



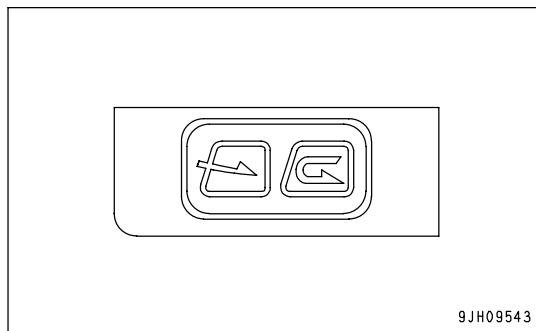
3. Press temperature setting switch (3) and adjust temperature inside the cab.



4. Press vent selector switch (4) and select the desired vents. When this is done, the display for vent (c) of the display monitor changes according to the selection.

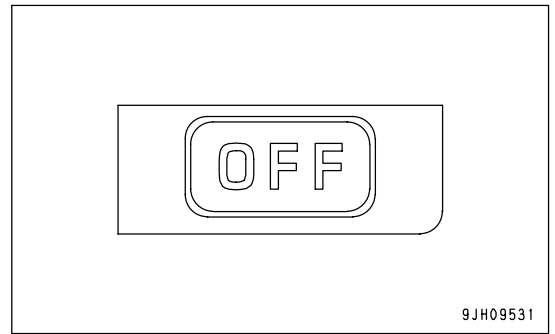


5. Press FRESH/RECIRC selector switch (6) and select recirculation of the air inside the cab (RECIRC) or intake of fresh air from outside (FRESH).



Stopping Manual Operation

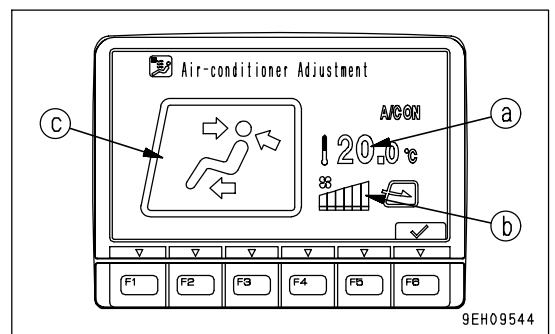
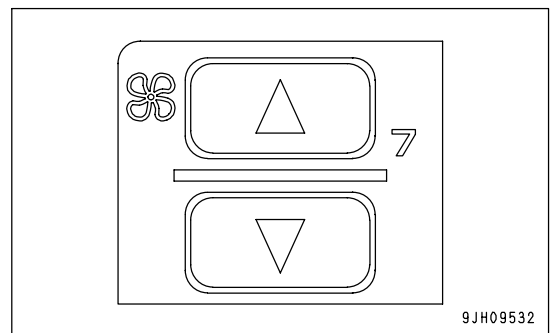
Press OFF switch (1). Operation stops.



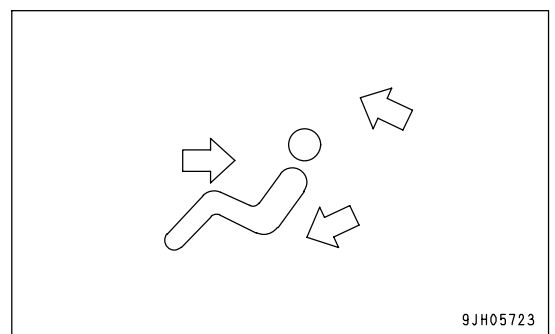
Operation with Cold Air to Face and Warm Air to Feet

To operate with cold air blowing to the face and warm air blowing to the feet, set as follows.

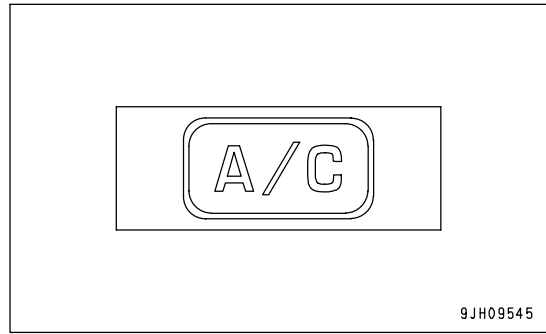
1. Press fan switch (2) and adjust the air flow. When doing this, check that temperature setting (a) and air flow (b) are displayed on the monitor.



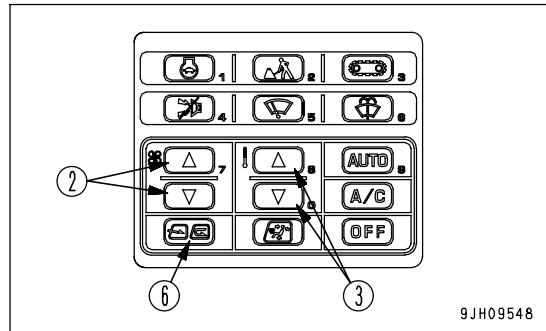
2. Press vent selector switch (4) and set the vent display on the display monitor to the display shown in the figure on the right.



3. Press air conditioner switch (8) to turn the air conditioner ON.

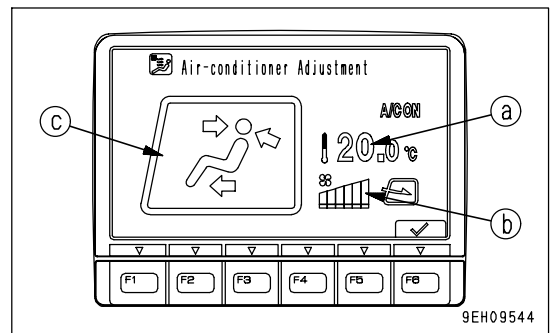
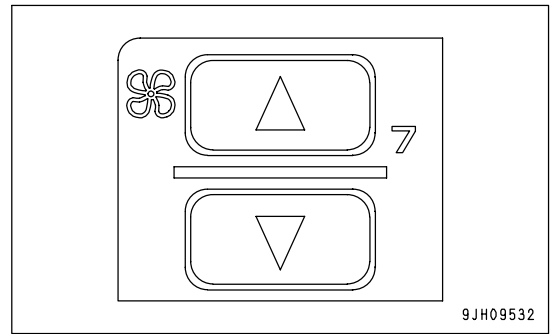


4. Adjust fan switch (2), temperature setting switch (3) and FRESH/RECIRC selector switch (6) to the desired positions.

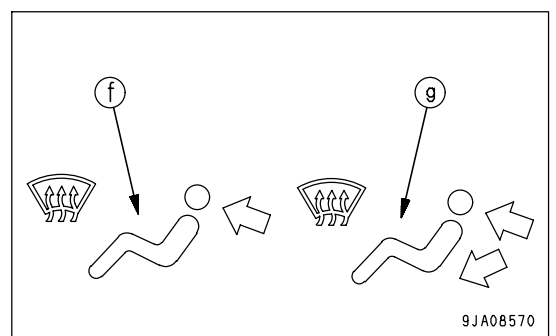
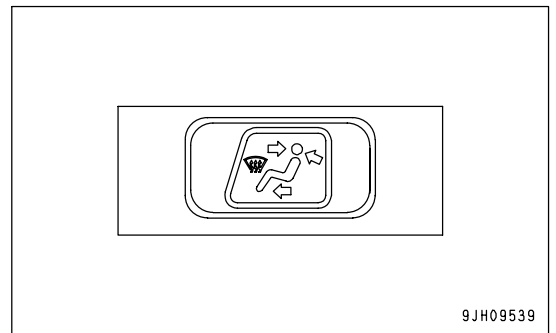


Defroster Operation

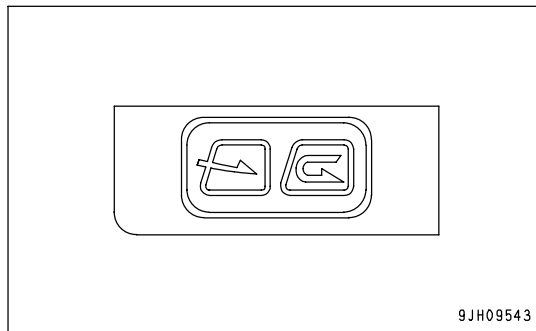
1. Press fan switch (2) and adjust the air flow. When doing this, check that temperature setting (a) and air flow (b) are displayed on the monitor.



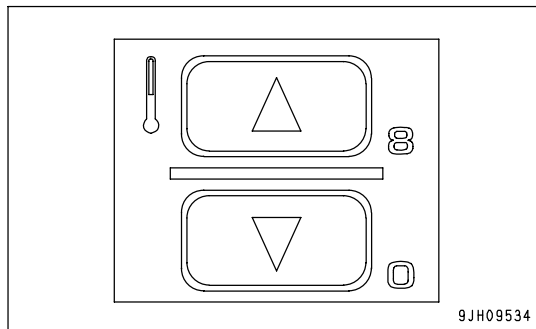
2. Press vent selector switch (4) and set vent display on the display monitor to (f) or (g) as shown in figure on the right.



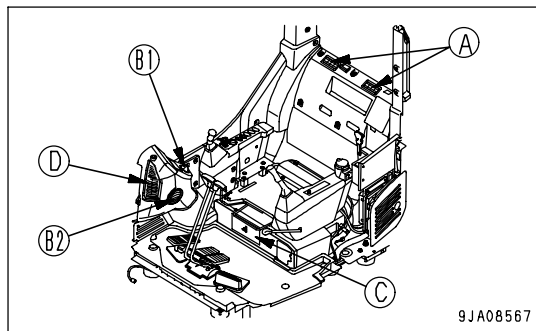
3. Press FRESH/RECIRC selector switch (6) and set it to take in fresh air.



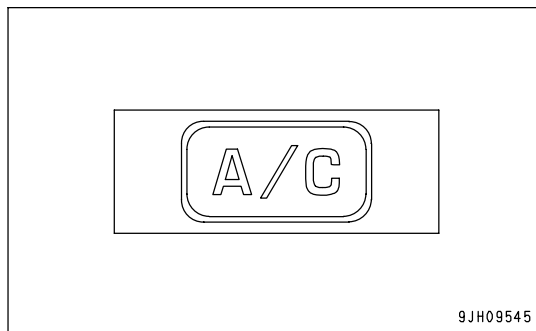
4. Press temperature setting switch (3) and set temperature on the display (7) monitor to maximum heating.



5. Adjust vents (A), (B1), and (B2) so that the air blows onto the window glass.
(Vents (C) and (D) are fixed and cannot be adjusted.)



When operating in the rainy season or when it is desired to remove the mist from the window glass or to dehumidify the air, press air conditioner switch (8) to turn the air conditioner ON.



Use Air Conditioner with Care

NOTICE

- When running the air conditioner, always start with the engine running at low speed. Never start the air conditioner when the engine is running at high speed. It will cause failure of the air conditioner.
- If water gets into the control panel or sunlight sensor, it may lead to unexpected failure, be careful not to let water get on these parts. In addition, never bring any open flame near these parts.
- For the auto function of the air conditioner to work properly, always keep the sunlight sensor clean and do not leave anything around the sunlight sensor that may interfere with its sensor function.

Ventilation

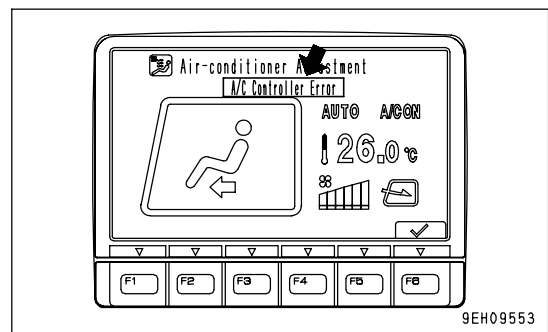
- When running the air conditioner for a long time, turn the lever to FRESH position once 1 hour to perform ventilation and cooling.
- If you smoke when the air conditioner is on, the smoke may start to hurt your eyes, so open the window and turn the lever to FRESH for a while to remove the smoke while continuing the cooling.

Temperature Control

When the cooler is on, set the temperature so that it feels slightly cool when entering the cab (5 or 6 °C (9 or 10.8 °F) lower than the outside temperature). This temperature difference is considered to be the most suitable for your health, so always be careful to adjust the temperature properly.

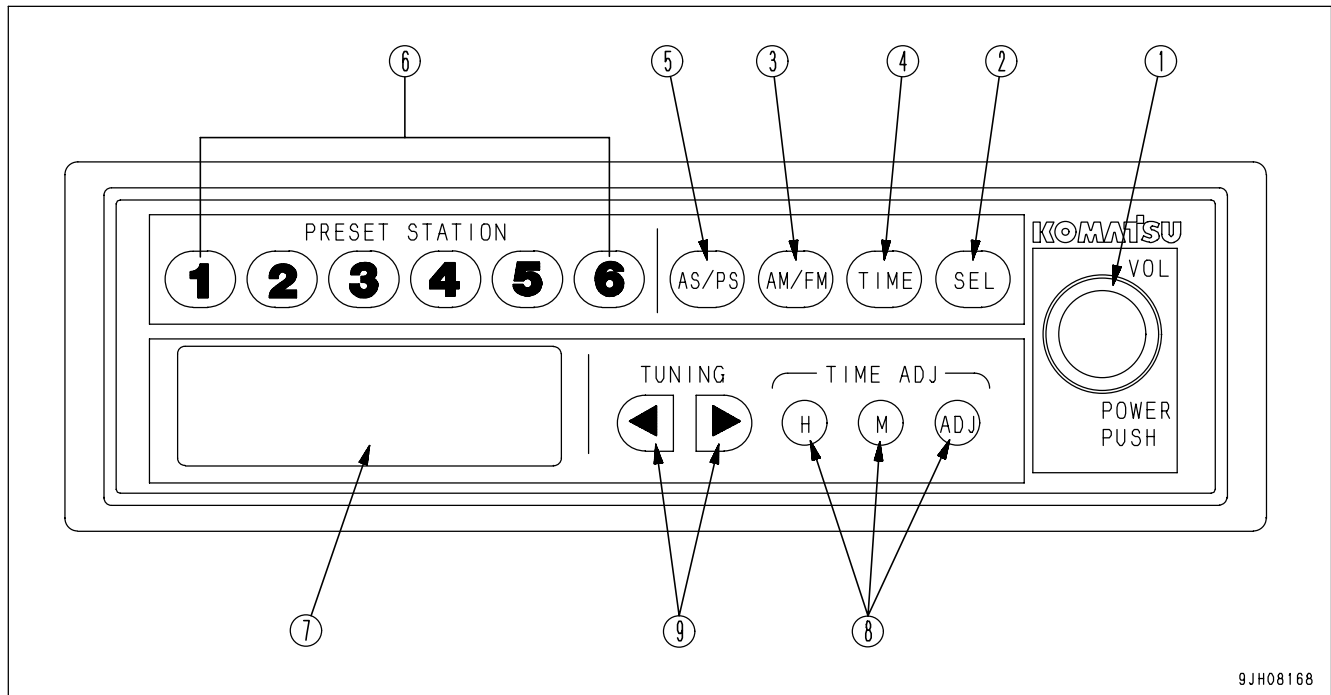
Inspection and maintenance of Air Conditioner Equipped Machine

- When performing inspection and maintenance on machines equipped with an air conditioner, perform the inspection and maintenance according to the chart. For details, see "CHECK AND MAINTENANCE AIR CONDITIONER (PAGE 4-36), CHECK AIR CONDITIONER COMPRESSOR BELT TENSION, ADJUST (PAGE 4-57), CLEAN AIR CONDITIONER FRESH/RECIRC FILTERS (PAGE 4-65)".
- When the air conditioner is not being used every day, to prevent loss of the film of oil at various parts, run at the engine at low speed from time to time and perform cooling or dehumidifying heating for several minutes.
- If the temperature inside the cab is low, the air conditioner may not work. In this case, circulate fresh air to warm the inside of the cab. When the air conditioner switch is turned ON, the air conditioner will work.
- If any abnormality is detected in any equipment or sensor used on the air conditioner, "A/C Controller Error" is displayed on the air conditioner monitor screen. If "A/C Controller Error" is displayed, ask your Komatsu distributor to perform inspection and repair.



RADIO

Control Panel



9JH08168

- | | |
|---|--|
| (1) Power switch, Volume control knob, Balance control knob | (5) AS/PS button |
| (2) SEL button | (6) Preset station buttons (1,2,3,4,5,6) |
| (3) FM/AM selection button | (7) Display |
| (4) Display selection button | (8) Time reset button |
| | (9) Tuning button |

Power switch, Volume control knob, Balance control knob

Press this knob (1) to turn the power for the radio on. The frequency is displayed on display (7). Press the knob again to turn the power off.

Turn the knob clockwise to increase the volume; press counterclockwise to reduce the volume. The range for the volume is VOL 0 to VOL 40.

SEL button

Each time this button (2) is pressed, the mode changes as follows: VOL (volume) → BAS (bass) → TRE (treble) → BAL (balance). The mode is displayed on display (7). For details of each mode, see "Method of Operating Mode (PAGE 3-107)".

FM/AM Selection Button (AM/FM)

Press this button (3) to select the desired band.

Each time the button is pressed, the band changes FM → AM → FM . . .

Display Selection Button (TIME)

On this machine, priority is given to the frequency display. When the frequency is being displayed, press button (4) and the display will show the present time for 5 seconds. After 5 seconds pass, the display returns automatically to the frequency display. If any button other than TIME ADJ (H, M, ADJ) is pressed within 5 seconds, the display returns to the frequency display. For details of the method of adjusting the time, see "Setting Correct Time (PAGE 3-107)".

AS/PS button

This button (5) actuates the auto store and preset scan functions.

- Auto store
If this button is kept pressed for at least 2 seconds during radio reception, it will automatically search for 6 available AM and FM stations each, starting with the lowest frequency and going up to the highest frequency. These frequencies can then be saved in the preset memory.
- Preset scan
If this button is pressed within 2 seconds, it is possible to select one of the already preset stations. Wait for 6 sec. after pressing the button and then press the button again to select the next preset station. If it is impossible to receive the preset frequency, the selection advances after 1 second to the next preset station.

Preset Station Buttons (1, 2, 3, 4, 5, 6)

If this button (6) has been used to decide which stations to preset, it is possible to select the desired station at a touch. It is possible to preset 6 stations each for both AM and FM.

For details of the method of presetting the stations, see "Method of Setting with Preset Button (PAGE 3-106)".

REMARK

The preset button can be used to save the frequency manually. To save the frequency automatically, use the Auto store button.

Display

This display (7) shows the reception band, frequency, preset No., and time.

Time Reset Button

Use this button (8) when adjusting the time. For details of the method of adjusting the time, see "Setting Correct Time (PAGE 3-107)".

H: Hour

M: Minute

ADJ: Sets to 00 minutes

Tuning Button (TUNING)

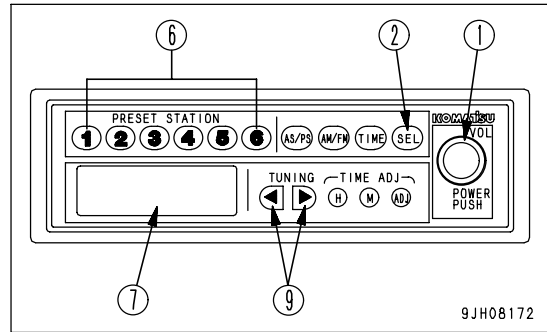
Use this button (9) to change the frequency.

For further details, see "Method of Tuning (PAGE 3-106)"

Controls of Radio

Method of Setting with Preset Button

1. Press power switch (1) and display the frequency on display (7).
2. Use tuning button (9) to set to the desired frequency. There are 2 methods for tuning: auto tuning and manual tuning.
3. With the display (7) showing the desired frequency, keep the desired Preset button No. pressed for at least 1.5 seconds. The reception sound will disappear, but when the presetting operation (saving to memory) is completed, the sound will appear again and the Preset No. and frequency will be shown on the display to show that the presetting operation has been completed.



After completing the presetting, press Preset button (6) and release it within approximately 1.5 seconds. This will make it possible to receive the channel preset to that button. One channel each for AM and FM can be preset to each Preset button.

REMARK

It is also possible to save to the Preset button by using the auto store button.

Method of Tuning

1. Press power switch (1) and display the frequency on display (7).
2. Use tuning button (9) to set to the desired frequency. There are 2 methods for tuning: auto tuning and manual tuning.

- Manual tuning

Press tuning button (9) until the frequency is displayed on display (7).

< button: Frequency moves down

> button: Frequency moves up

When the frequency reaches the top or bottom frequency, it automatically continues as follows: Top → Bottom, or Bottom → Top.

- Auto tuning

Press tuning button (9) for at least 3 seconds. When a station is picked up, the tuning automatically stops. To search for the next station, press the tuning button again for at least 3 seconds.

< button: Frequency moves down

> button: Frequency moves up

If this button is pressed during auto tuning, the auto tuning will be cancelled and the setting will return to the frequency in use before the button was pressed.

Method of Operating Mode

- (BAS) Bass adjustment: When button (2) is pressed, BAS is displayed on display (7). If knob (1) is turned clockwise within 5 seconds, the bass sound is emphasized. If the knob is turned counterclockwise, the bass sound is reduced.
- (TRE) Treble adjustment: When button (2) is pressed, TRE is displayed on display (7). If knob (1) is turned clockwise within 5 seconds, the treble sound is emphasized. If the knob is turned counterclockwise, the treble sound is reduced.
- (BAL) Balance adjustment: When button (2) is pressed, BAL is displayed on display (7). If knob (1) is turned clockwise within 5 seconds, the sound from the right speaker is increased. If the knob is turned counterclockwise, the sound from the left speaker is increased. When it is set to BAL 0, the sound from the left and right speakers is balanced.

REMARK

With each mode, the display is returned automatically to its original setting after 5 seconds.

Setting Correct Time

1. Press display selector button (4) to display the time.

After 5 seconds, the display will return to the frequency display and the time cannot be corrected. If this happens, press display selector button (4) again.

2. Press time adjustment button (8) to select Hour or Minute.

H button: Adjusts the hour (each time the button is pressed, the time advances by 1 hour)

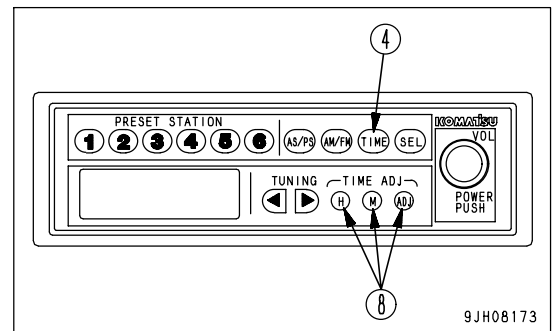
M button: Adjusts the minute (each time the button is pressed, the time advances by 1 minute)

- If the H or M button is kept pressed, the time will advance continuously until the button is released.

ADJ button: When the ADJ button is pressed, the time is reset as follows.

- When display is 00 to 05 minutes, time is returned to 00 min. 00 sec. (No change in hour)
(10:05 → 10:00)
- When display is 55 to 59 minutes, time is advanced to 00 min. 00 sec. (Hour advances)
(10:59 → 11:00)
- When display is 06 to 54 minutes, time cannot be reset.
(Time stays same)
(10:26 → 10:26)

Use the H, M, and ADJ buttons to set to the correct time.

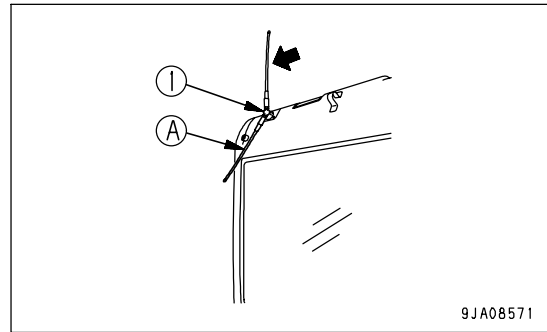


Antenna

Before transporting the machine or putting it inside a building, stow the antenna to prevent any interference.

Stow the antenna as follows.

1. Loosen antenna mounting bolt (1) and store the antenna at position (A).
2. After stowing the antenna, tighten bolt (1).



Use Radio with Care

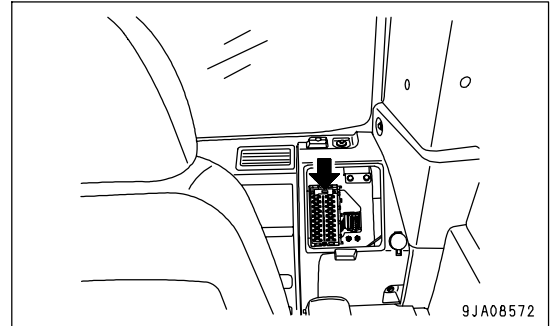
- To ensure safety, always keep the sound to a level where it is possible to hear outside sounds during operation.
- If water gets into the speaker case or radio, it may lead to an unexpected failure, so be careful not to get water on the equipment.
- Do not wipe the scales or buttons with solvent such as benzene or thinner. Wipe with a dry soft cloth. If the dirt cannot be removed easily, soak the cloth with alcohol.
- When the battery is disconnected or replaced, settings for the preset buttons and clock are cleared, so all settings must be reprogramed.

FUSE

NOTICE

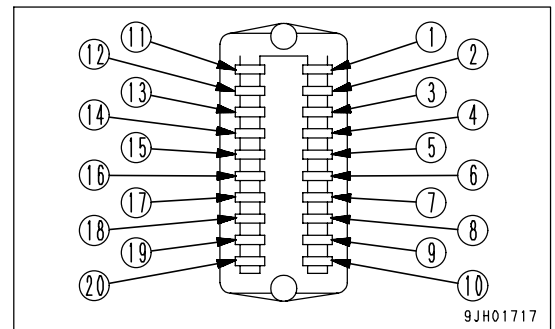
Before replacing a fuse, be sure to turn off the power supply (turn the starting switch to OFF position).

- The fuse holder is inside the cover at the left rear of the cab.
- The fuses protect the electrical equipment and wiring from burning out.
- If the fuse is corroded or covered with white powder, or the fuse is loose in the fuse holder, replace the fuse.
- When replacing the fuse, always replace it with a fuse of the same capacity.



Fuse Capacities and Circuit Names

No.	Capacity	Circuit name
(1)	10 A	Emergency actuation circuit
(2)	30 A	Electromagnetic valve
(3)	15 A	Cigarette lighter
(4)	10 A	Window washer
(5)	10 A	Horn
(6)	5 A	Working lamp relay, horn relay
(7)	10 A	Revolving lamp (if equipped)
(8)	20 A	Working lamp
(9)	10 A	Radio, speaker
(10)	5 A	Air conditioner
(11)	20 A	Air conditioner unit
(12)	10 A	Optional equipment power supply (1)
(13)	10 A	Optional equipment power supply (2), 12V power supply
(14)	10 A	Spare
(15)	5 A	Air conditioner
(16)	10 A	Radio backup, room lamp
(17)	20 A	Monitor, controller, starting switch
(18)	30 A	Engine controller
(19)	5 A	Engine controller
(20)	5 A	PPC oil pressure lock solenoid



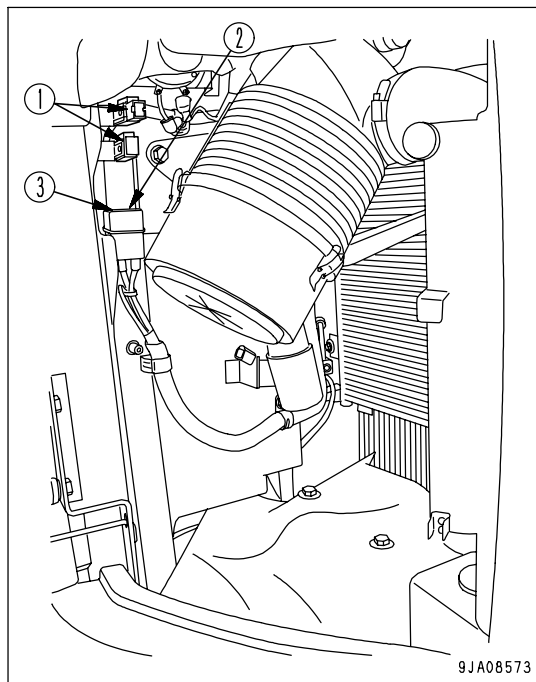
FUSIBLE LINK

If any of the following problems have occurred, there is probably a disconnection in the fusible link. Open the battery room door on the left side of the machine, and check and replace.

- If the starting motor does not turn even when the starting switch is turned to the START position, there is probably a disconnection in the fusible link (1).
- If the battery is discharged, there is probably a disconnection in the fusible link (2).
- In cold weather, if the starting switch is turned to the HEAT position and preheating is carried out, but the engine is difficult to start, there is probably a disconnection in fusible link (3).

REMARK

A fusible link refers to the large-sized fuse wiring installed in the high current flow portion of the circuit to protect electrical components and wiring from burning, in the same way as an ordinary fuse.



No.	Capacity	Circuit name	Connector No.	Part No.
(1)	45 A	Permanent power supply	F02	20T-06-81230
(1)	45 A	Permanent power supply	F03	
(2)	50 A	Alternator (35A)	F05	417-06-22610
	120 A	Alternator (60A) (if equipped)		421-06-22830
(3)	120 A	Preheating	F06	

AUXILIARY ELECTRIC POWER

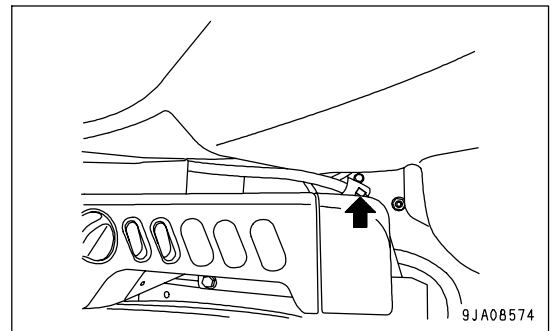
NOTICE

When installing electrical equipment not supplied by Komatsu, make sure that the equipment is 24 V specification with a maximum of 240 W (10 A or equivalent). When installing electrical equipment with a larger capacity, please consult your Komatsu distributor.

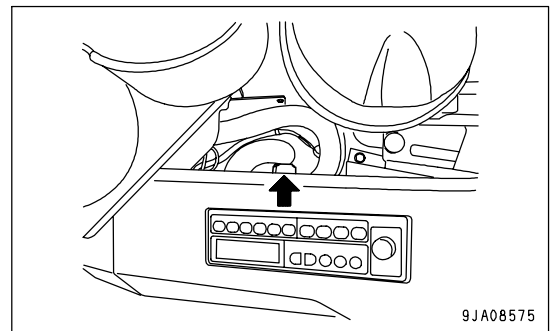
On both the left and right sides under the floor console, there are power takeoff connectors for optional equipment fixed to the wiring and held in position by tape. Remove the tape when using them.

Use these connectors for taking off the power supply for components not supplied by Komatsu.

Left connector No: M10



Right connector No: M09



See the table below for the connection type of each connector. (Both left and right)

	M type housing (2-terminal)		Terminal		
	Body	Rear holder	AVS 0.5	AVS 0.85 - 2	AVS 3
Komatsu part No.	08056-00211	08056-00230	08056-00050	08056-00051	08056-00052

REMARK

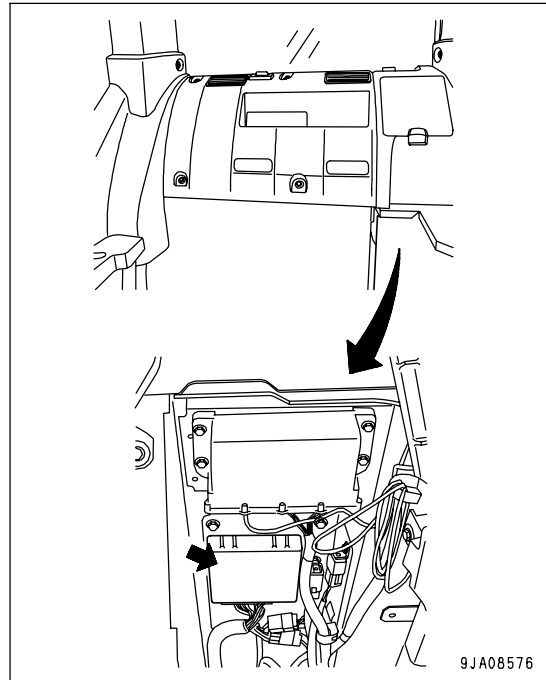
Power may be sourced from the cigarette lighter, too. For the details, see the section of "Cigarette Lighter (PAGE 3-69)" in this manual.

CONTROLLERS

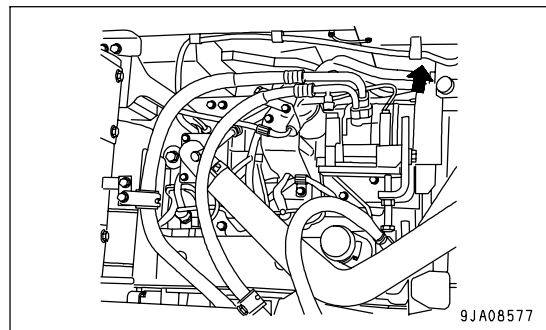
NOTICE

- Do not let water, mud, or juice spill on the controller. This will cause failures.
- If any problem occurs in the controller, do not repair it by yourself. Contact your Komatsu distributor for repairs.

The chassis controller and KOMTRAX controller are installed inside the rear cover at the rear of the operator's cab.



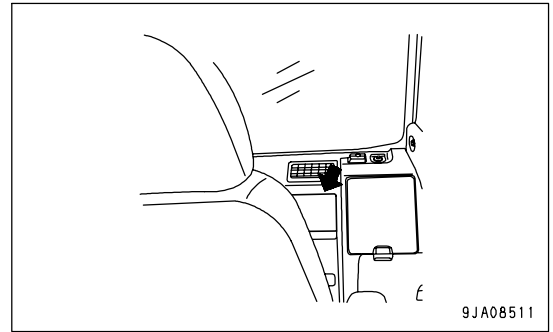
The engine controller is installed to the exterior finish frame at the rear of the engine.



OPERATION MANUAL STORAGE

A magazine box is provided on the left side of the operator's seat for safekeeping the operation and maintenance manual and oil chart.

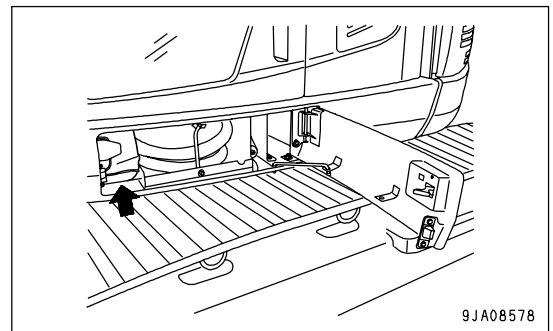
Always keep the Operation and Maintenance Manual in this pocket so that it is possible to read it at any time.



TOOL BOX

Open the door at the front of the tool box. The standard tool compartment is inside.

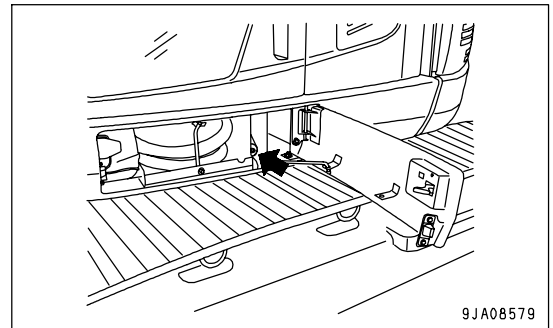
Put the tools in the supplied tool bag and store them in the tool compartment.



GREASE PUMP HOLDER

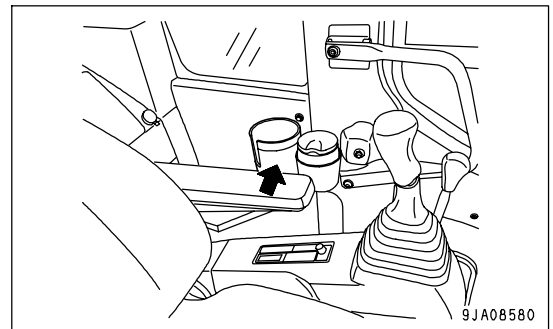
Open the door at the front of the tool box. The compartment to stow the grease pump is inside.

Pass the nozzle through the hole at the end, and push the grease gun holder fully in to store it.



CUP HOLDER

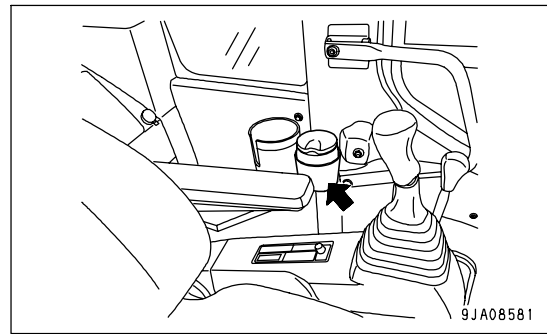
This is on the left side of the operator's cab.



ASHTRAY

This is on the left side of the operator's cab.

Always extinguish your cigarette before putting it in the ashtray, then be sure to close the lid.

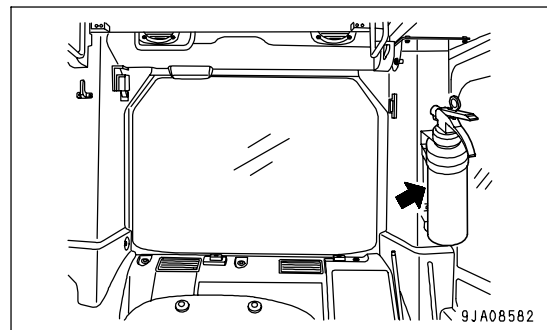


FIRE EXTINGUISHER

(if equipped)

A fire extinguisher is prepared at the rear part inside the operator's cab.

The directions are described on the nameplate affixed to it. Just in case, carefully read and grasp them beforehand.



MACHINE OPERATIONS AND CONTROLS

BEFORE STARTING ENGINE

Walk-around Checks

Before starting the engine, walk around the machine and look at the underside of chassis for anything unusual like loose bolts and nuts, leakage of fuel, oil and coolant. Also check the condition of the work equipment and the hydraulic system.

Also check for loose wiring, play, and collection of dust at places that reach high temperature.



WARNING

Remove any combustible materials from around the battery, engine, muffler, turbocharger, or other high temperature engine parts.

Leakage of fuel or oil will cause the machine to catch fire. Check carefully, be sure to repair any problem, or contact your Komatsu distributor.

If the machine is at an angle, reposition it level before checking.

Perform the following inspections and cleaning every day before starting engine for the day's work.

1. Check for damage, wear, play in work equipment, cylinders, linkage, and hoses.
Check that there are no cracks, excessive wear, or play in the work equipment, cylinders, linkage, or hoses. If any problem is found, repair it.
2. Remove dirt and debris from around the engine, battery, and radiator.
Check for dirt accumulated around the engine and radiator. Also check for flammable material (dry leaves, twigs, etc.) around the battery, engine muffler, turbocharger, or other high temperature engine parts. If any dirt or flammable materials are found, remove them.
For the removal of dust and dirt accumulated on the radiator fins, see "CLEAN AND INSPECT RADIATOR FINS, OIL COOLER FINS, AFTERCOOLER FINS, FUEL COOLER FINS, AND AIR CONDITIONER CONDENSER FINS (PAGE 4-65)".
3. Check for coolant and oil leakage around the engine
Check for oil leakage from the engine and coolant leaks from the cooling system. If any problem is found, repair it.
4. Check for leakage from fuel line.
Check that there is no leakage of fuel or damage to the hoses and tubes. If any problem is found, perform repairs.
5. Check for oil leakage from hydraulic equipment, hydraulic tank, hoses, and joints
Check for oil leakage. If any problem is found, repair the area where oil is leaking.
6. Check the undercarriage (track, sprocket, idler, guard) for damage, wear, loose bolts, or leakage of oil from rollers.
If any problem is found, repair it.
7. Check for problems in handrails, steps, loose bolts.
If any problem is found, repair it. Tighten any loose bolts.

8. Check for problems in gauges and monitor

Check that there is no problem in the gauges and monitor in the operator's cab. If any problem is found, replace the parts. Clean off any dirt on the surface.

9. Checking window for damage and displacement

Check the window for any damage or displacement. If it is found broken or displaced, repair it. In particular, repairs must be made immediately, once stopping the machine, if the window is broken or displaced during operation. Do not attempt to continue to operate the machine without repair.

10. Seat belt and mounting clamps

Check for damage or wear to the seat belt and mounting clamps. If there is any damage, replace with new parts.

11. Check bucket with hook (if equipped) for damage.

Check for damage to the hook, guide, and hook mount. If any problem is found, contact your Komatsu distributor for repairs.

12. Check, clean rearview monitor

Check that there is no problem with the rearview monitor. If any problem is found, contact your Komatsu distributor and ask for repairs to be carried out.

Checks Before Starting

Always check the items in this section before starting the engine each day.

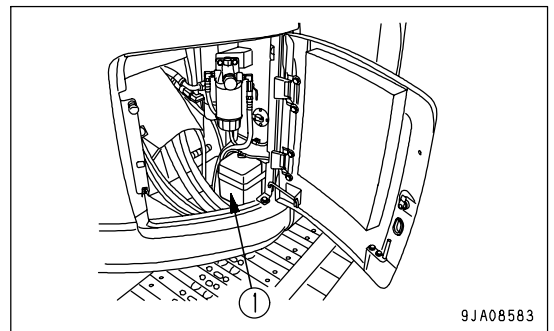
Check Coolant Level, Add Coolant



WARNING

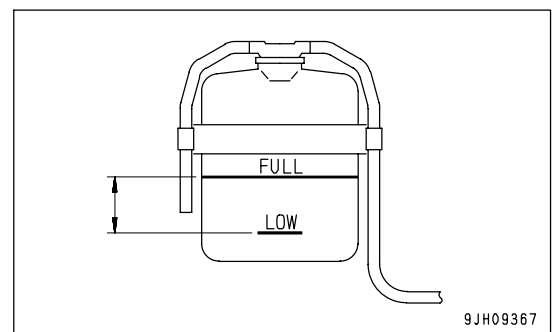
- Do not open the radiator cap unless necessary. When checking the coolant, always wait for the engine to cool down and check the sub-tank.
- Immediately after the engine is stopped, the coolant is at a high temperature and the radiator is under high internal pressure. If the cap is removed to check the coolant level in this condition, there is a hazard of burns. Wait for the temperature to go down, then turn the cap slowly to release the pressure and remove it carefully.

1. Open the engine hood on the machine and check that the coolant level is between the FULL and LOW marks on radiator sub-tank (1) (shown in the diagram on the right).
If the water level is low, add water through the water filler of sub-tank (1) to the FULL level.
2. After adding coolant, tighten the cap securely.



NOTICE

If the sub-tank becomes empty, there is probably coolant leakage. After checking, repair any abnormality immediately. If no abnormality is found, check the level of the water in the radiator. If it is low, add coolant of the same density in radiator according to the coolant density table in "CLEAN INSIDE OF COOLING SYSTEM (PAGE 4-22)", then add coolant to the sub-tank.

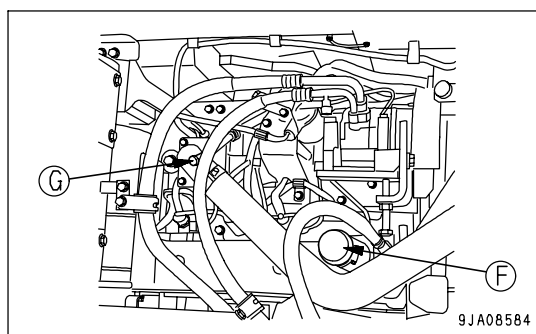


Check Oil Level in Engine Oil Pan, Add Oil

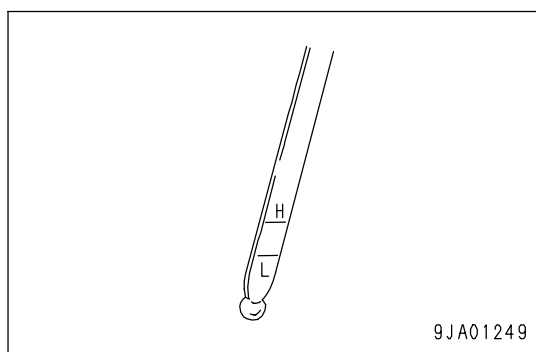
**WARNING**

Immediately after the engine is stopped, its parts and oil are still very hot, and may cause burn injury. Accordingly, wait until they have cooled down before starting the work.

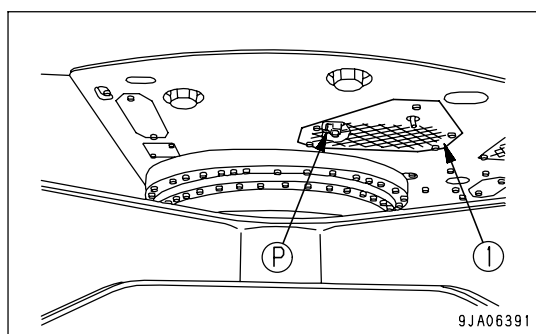
1. Open engine hood.
2. Remove dipstick (G) and wipe the oil off with a cloth.
3. Fully insert dipstick (G) into dipstick pipe, then remove it.



4. The oil level should be between H and L marks on dipstick (G).
If the oil level is below L mark, add oil through oil filler port (F).



5. If the oil level is above the H mark, remove undercover (1), drain the excess engine oil from drain valve (P), then check the oil level again.
6. If the oil level is correct, tighten the oil filler cap securely and close the engine hood.

**REMARK**

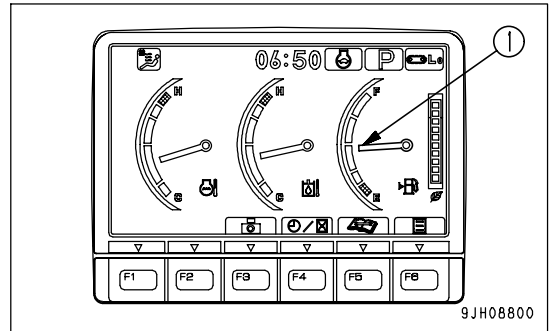
- When checking the oil level, if the machine is inclining, make it level before carrying out the check.
- When checking the oil level, check it before starting the engine, or at least 15 minutes after engine has been stopped.

Check Fuel Level, Add Fuel

 **WARNING**

When adding fuel, never spill the fuel or let it overflow. It will cause fire.
 If any fuel has spilled, wipe it up completely. If fuel has spilled over soil or sand, remove that soil or sand.
 Fuel is highly flammable and dangerous. Never bring open flames near fuel.

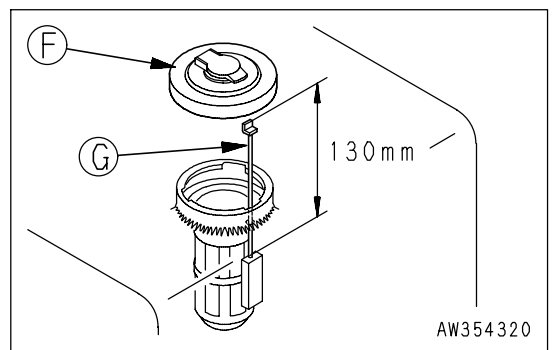
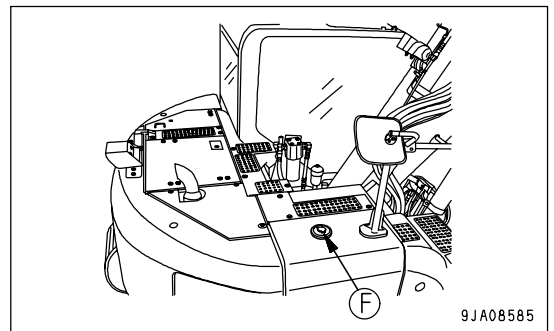
1. Turn the engine starting switch to ON position and check the fuel level gauge (1) on the monitor panel for fuel level. After checking, turn the switch back to OFF position.



2. If fuel is found to be low, unscrew fuel filler cap (F) on the fuel tank and add fuel through the filler port until float gauge (G) comes up to the highest point.

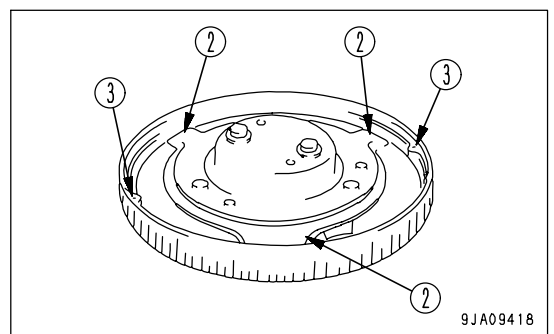
Specified fuel amount in fuel tank: 195 liters (51.52 US gal)
 Position of tip of float gauge (G) when tank is full: Approx. 130 mm (5.1 in) from top surface of fuel tank

3. After adding fuel, push float gauge (G) straight down with fuel filler cap (F). Be careful not to get float gauge (G) caught in the tab of fuel filler cap (F), and tighten fuel filler cap (F) securely.



REMARK

If breather hole (3) on the cap is clogged, the pressure in the tank will drop and fuel will not flow. Clean the hole from time to time.



Check Oil Level in Hydraulic Tank, Add Oil

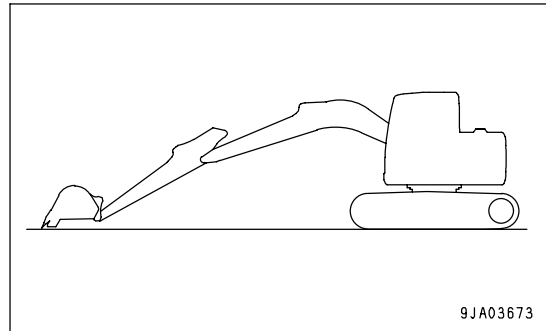
**WARNING**

- Immediately after the engine is stopped, its parts and oil are still very hot, and may cause burn injury. Accordingly, wait until they have cooled down before starting the work.
- When removing the oil filler cap, turn it slowly to release the internal pressure, then remove it.

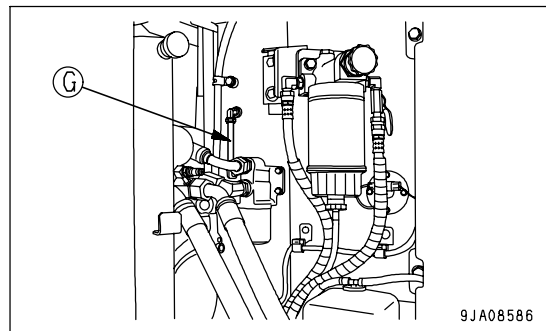
1. If the work equipment is not in the position shown in the diagram on the right, start the engine, run the engine at low speed, retract the arm and bucket cylinder rods fully, then lower the boom, set the bucket teeth in contact with the ground, and stop the engine.

2. Turn the starting switch to the ON position.

3. Within 15 seconds after stopping the engine, move each control lever (for work equipment and travel) to the full stroke in all directions to release the internal pressure.

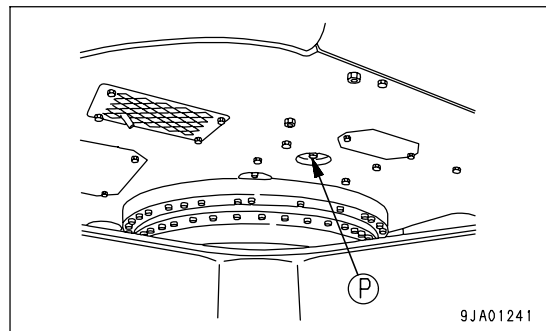


4. Open the door of the pump room on the right side of the machine, and check sight gauge (G). The oil level should be between the H and L lines when the oil temperature is 50°C (122°F).

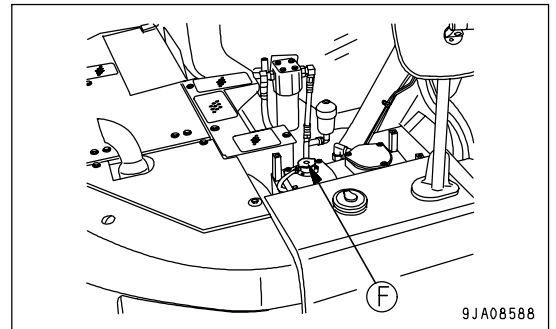
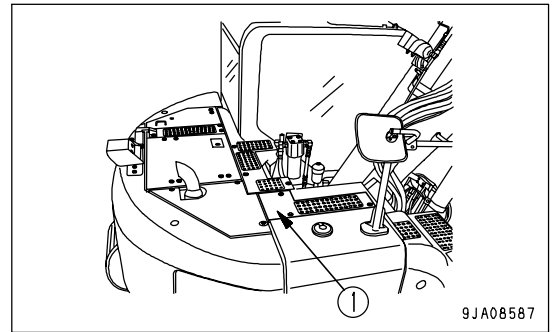
**NOTICE**

Do not add oil above the H line. This will damage the hydraulic circuit or cause the oil to spurt out.

If oil has been added above the H level, stop the upper structure so that the drain plug (P) under the hydraulic tank will be between both tracks, and stop the engine and wait for the hydraulic oil to cool down, then drain the excess oil from drain plug (P).



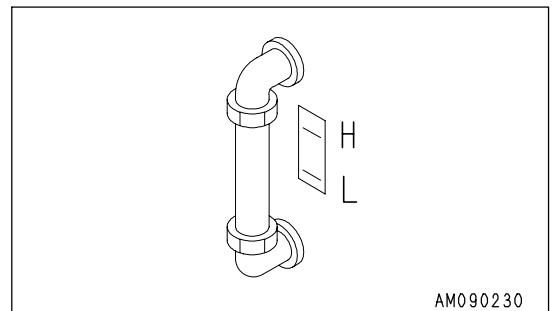
5. If the oil level is below the L line, add oil through oil filler (F) at the top of the hydraulic tank.

**REMARK**

The oil level will vary depending upon the oil temperature.

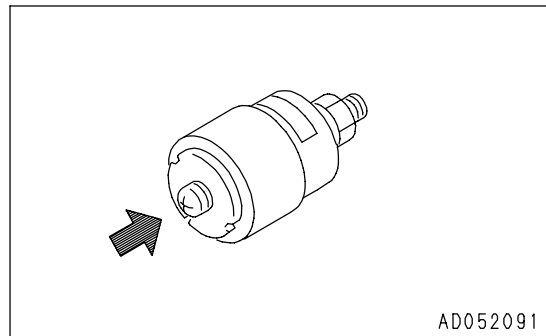
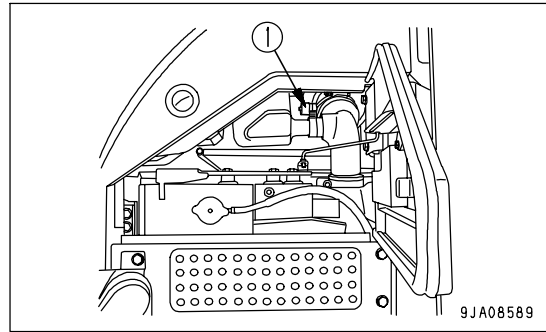
Accordingly, use the following as a guide:

- Target oil level is the middle between the H and L lines when the oil temperature is 50°C (122°F), and anywhere between the H and L lines when the oil temperature is 40 to 60°C (104 to 140°F).



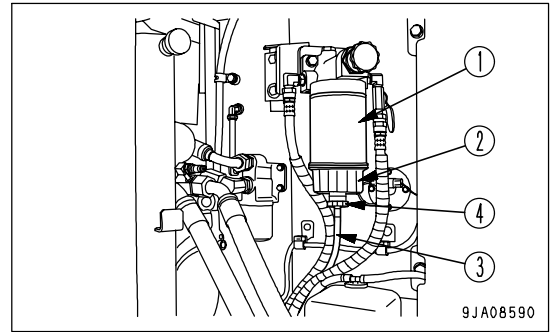
Check Dust Indicator

1. Open the cover at the rear of the cab and check that the red piston is not showing in the part of dust indicator (1) shown by the arrow.
2. If the red piston has appeared, clean or replace the element immediately.
For details of the method of cleaning the element, see "CHECK, CLEAN AND REPLACE AIR CLEANER ELEMENT (PAGE 4-18)".
3. After checking, cleaning, or replacing the air cleaner element, press the knob of dust indicator (1) to return the red piston to its original position.

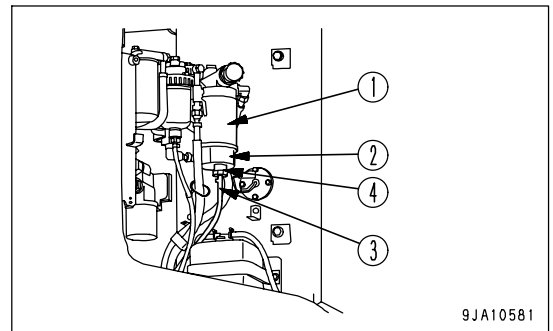


Check for Water and Sediment in Water Separator, Drain Water

1. Open the pump room door on the right side of the machine.
 - The water separator forms one unit with fuel prefilter (1).
2. It is possible to judge the water level and amount of sediment by looking through transparent cup (2). If there is any water or sediment collected at the bottom, set a container to catch the drain water under drain hose (3).
3. Loosen drain valve (4) and drain the water.
4. When fuel starts to drain from drain hose (3), tighten drain valve (4) immediately.



(Machine of poor fuel arrangement specification)

**NOTICE**

If the water inside transparent cup (2) freezes, check that the frozen water has melted completely, then use the procedure above to drain the water.

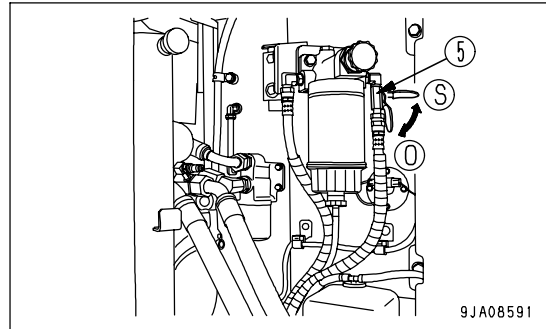
REMARK

- If transparent cup (2) is dirty or it is difficult to see the inside, clean transparent cup (2) when replacing fuel prefilter cartridge (1).
- When the drain valve (4) has been removed during the cleaning operation, coat the O-ring with grease and tighten until it contacts the bottom.

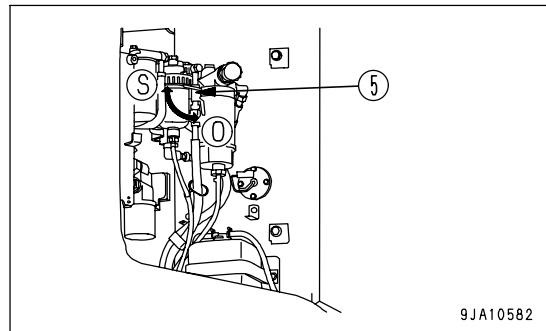
Adjustment of Drain Valve

If drain valve (4) is stiff, coat the O-ring portion of the drain valve with grease to make the movement smooth.

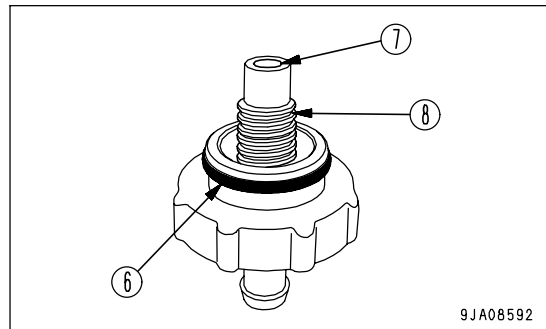
1. Set valve (5) at the side of fuel prefilter cartridge (1) to the shut position (S).
2. Set the container to catch the fuel under the prefilter cartridge.
3. Loosen drain valve (4), then drain all the water and sediment in the transparent cup (2) and also the fuel accumulated in prefilter cartridge (1).
4. Check that nothing more comes out from drain hose (3), then remove drain valve (4).



(Machine of poor fuel arrangement specification)



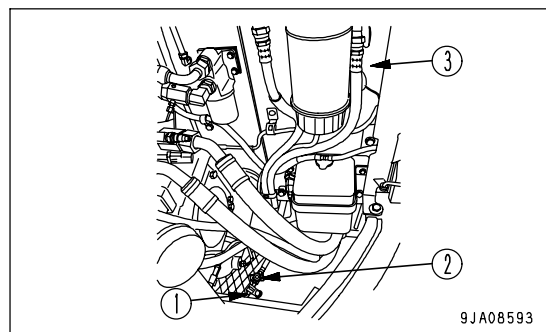
5. Coat O-ring portion (6) with a suitable amount of grease. When doing this, be careful not to let the grease get stuck to the drain valve water drain port (7) or drain valve thread (8).



6. Tighten drain valve (4) by hand until it contacts the bottom of transparent cup (2).
7. Remove the fuel container.
8. Set valve (5) to the Open position (O).

Drain Water And Sediment from Fuel Tank

1. Open the pump room door on the right side of the machine.
2. Set a container under drain hose (1) to catch the drained fuel.
3. Open fuel drain valve (2) at the rear of fuel tank (3) and drain the water and sediment accumulated at the bottom of the tank.
4. When only clean fuel comes out, close drain valve (2).
5. Close the pump room door on the right side of the machine.



Inspection of Additional Water Separator and Drain of Water and Sediments

(Only poor fuel arrangement specification machines)

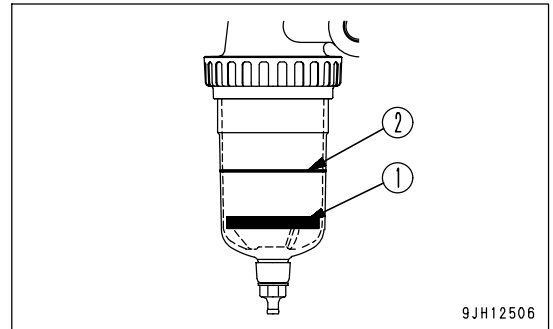
WARNING

- The water separator is a device to separate water mixed with fuel. When draining water, fuel is drained together. Therefore, never bring open flame near the draining water.
- When draining water, prepare for a container used for draining oil and take care not to spill drained water. The drained water contains fuel and can catch fire. If it is spilled, wipe it off completely.

NOTICE

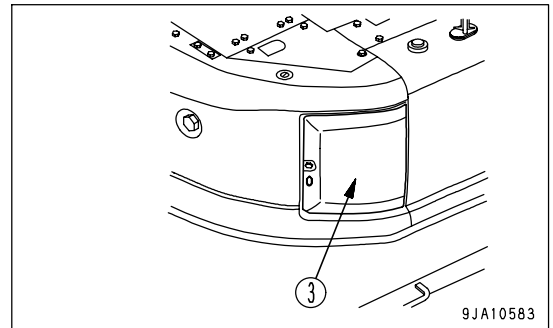
If float (1) goes above level line (2), there is danger that the separated water may be sucked into the engine.

Always drain the water before float (1) reaches level line (2).



- Before performing this work, top off the fuel tank in reference to "Check Fuel Level, Add Fuel (PAGE 3-119)". If the fuel is scarce, water may not well be drained.
- Prepare a container to catch drain oil.

1. Open pump room door (3) on the right side of the machine.



2. Put a container under drain hose (4) to catch drained fuel.

3. Loosen plug (5) to drain water.

4. If water is not drained, remove air intake plug (6). (Width across flats: 14 mm)

Then water is drained through drain hose (4).

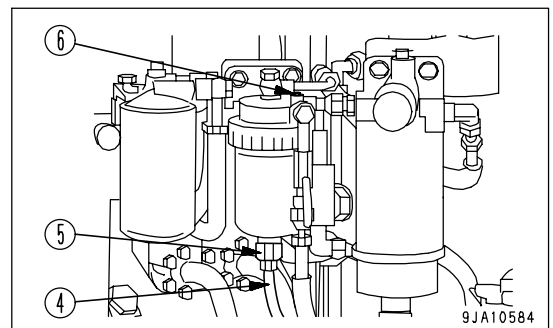
5. As soon as fuel begins to flow out after water has been completely drained, screw in water drain plug (5).

Tightening torque: 1.5 to 2.5 Nm (0.15 to 0.25 kgm, 1.1 to 1.8 lbf)

6. In case air intake plug (6) has been removed to drain water, install it now.

Tightening torque: 8.0 to 12.0 Nm (0.8 to 1.2 kgm, 5.8 to 8.7 lbf)

7. Close pump room door (3) on the right side of the machine.



8. After completing the water drain operation, bleed the air. Use the same procedure as when replacing the fuel filter cartridge.

For the air bleeding procedure, see "Procedure for Bleeding Air (PAGE 3-197)".

Check Electric Wiring

CAUTION

- If fuses are frequently blown or if there are traces of short-circuiting on the electrical wiring, promptly ask your Komatsu distributor to locate the cause and make the repair.
- Keep the top surface of the battery clean and check the breather hole in the battery cap. If it is clogged with dirt or dust, wash the battery cap to clear the breather hole.

Check that there is no damage to the fuses; that fuses of the specified capacity are used; that there is no open circuit or trace of short-circuiting in the electric wiring and no damage to the covering. Check also that there is no loosened terminals. If any, tighten them.

Moreover, pay particular attention to the electric wiring when checking the battery, engine starting motor and alternator.

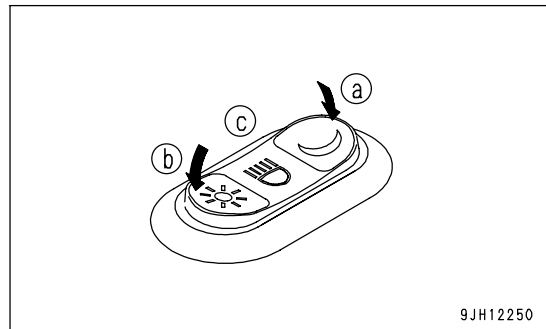
Be sure to check that there is no inflammable material accumulated around the battery. If any is found, remove immediately.

Check Working Lamp Switch

Check that the working lamps and lamps inside the instruments light up properly. Check also that there is no dirt or damage.

If any lamp does not light up, the bulb is probably blown up or there is a open circuit, so ask your Komatsu distributor to perform repairs.

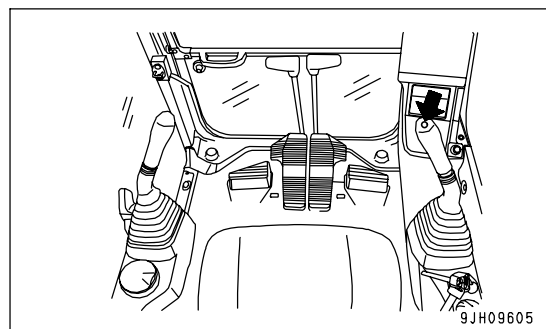
1. Turn the starting switch to ON position.
2. Turn the lamp switch ON (night mode (a), and day mode (b)) and check that the working lamp lights up.



Check Function of Horn

1. Turn the starting switch to ON position.
2. Confirm that the horn sounds immediately when the horn button is pressed.

If the horn does not sound, contact your Komatsu distributor for repair.



Adjustment

WARNING

- Adjust the seat position before starting operations or after changing the operator.
- Adjust the seat so that the control levers and switches can be operated freely and easily with the operator back against the backrest.

Seat Adjustment

(A) Fore-and-aft adjustment

Pull up lever (1). After the seat is set to the desired position, release the lever.

Adjustable distance: 100 mm (3.3 in) in 10 steps

(B) Adjusting reclining

REMARK

The seat can be reclined more when the seat is pushed to the front. The amount of reclining decreases as the seat is pushed back, so when moving the seat back, return the seat back to UPRIGHT position.

Pull up lever (2) and set the backrest to a position that is comfortable for operation, then release the lever.

Sit with your back against the seat backrest when adjusting. If your back is not against the backrest, the backrest may suddenly move forward.

(C) Adjusting armrest angle

Armrest (3) can be made to spring up by hand approx. 90 deg.

In addition, by turning the dial (4) at bottom of armrest by hand it is possible to make fine vertical adjustment of the armrest angle.

Armrest adjustment angle: 25 deg.

REMARK

If the seat back is tipped to the front without raising the armrest (3), the armrest will rise automatically.

(D) Overall fore-and-aft adjustment of seat

Move lever (5) to right. After the seat is set to the desired position, release the lever (5). In this case, the operator's seat, left and right control levers, and lock lever all slide together.

Amount of adjustment: 120 mm (12 stages)

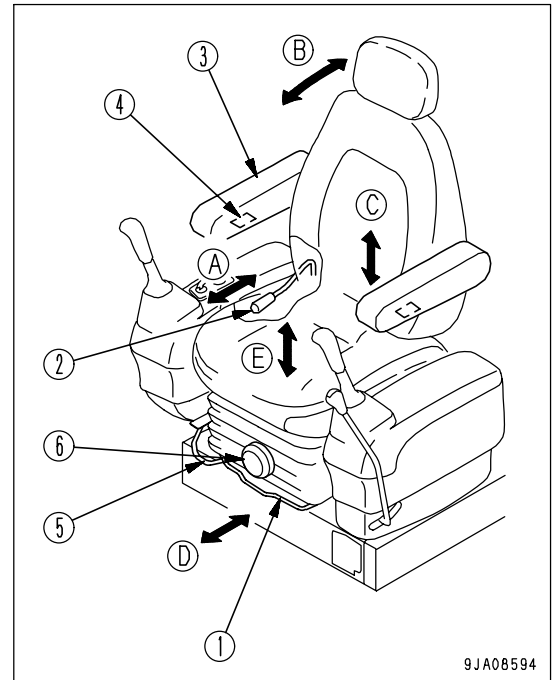
(E) Adjusting suspension

(Suspension seat)

Adjust the weight adjusting dial to your own weight by turning knob (6) under the operator's seat.

The weight can be adjusted to 50 to 120 kg (110 to 265 lb).

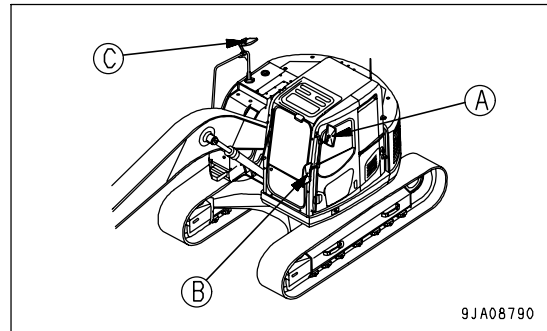
If you want to make the seat softer, turn the weight adjustment to a lower weight; if you want to make the seat harder, adjust to a higher weight. When operating on uneven surfaces, adjust the seat to a harder setting.



Mirror Adjustment

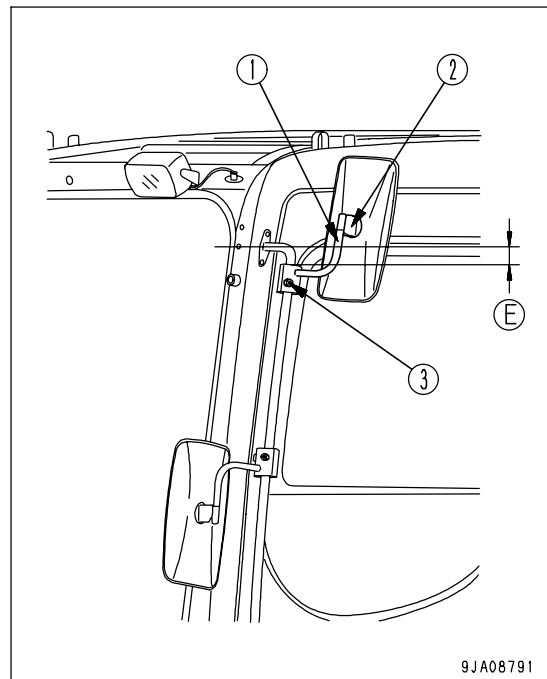
**WARNING**

Be sure to adjust the mirrors before starting work. If they are not adjusted properly, you cannot secure the visibility and may be injured or may injure someone seriously.

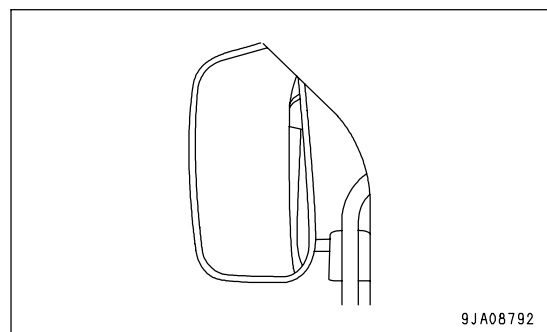
**Mirror (A)**

Adjust the mirror mount so that it is possible to see people at the rear left of the machine.

- Install the mirror in the location indicated in the figure at right.
(E): 42.5 mm (1.7 in)
- Fix mirror stay (1) in the way the mirror stretches outward to the maximum.
- If the mirror does not move smoothly when adjusting its angle, loosen mirror fixing bolt (2) and stay mounting bolt (3).
Tightening torque of bolt (2): 15.7 to 19.6 Nm
(1.6 to 2.0 kgm, 11.6 to 14.5 lbft)



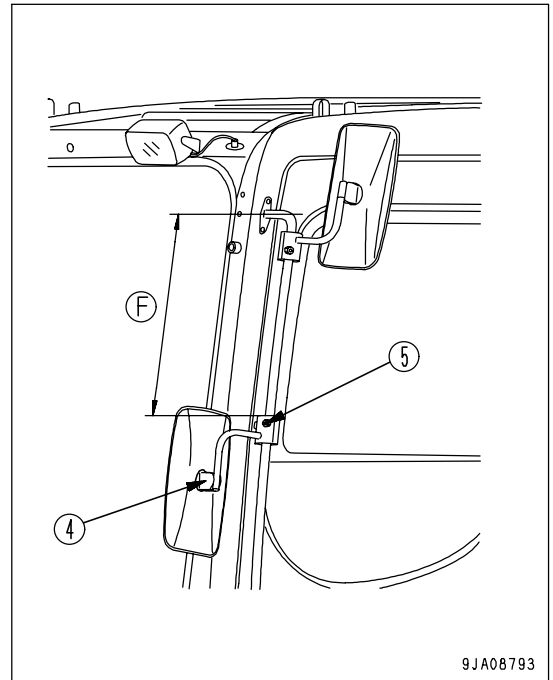
- When adjusting, set so that the side of the machine appears in the mirror as shown in the figure at right.



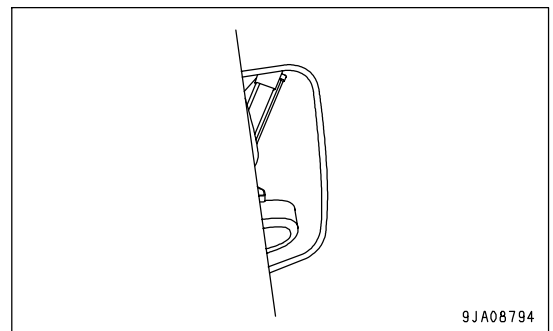
Mirror (B)

Adjust the mirror mount so that it is possible to see people at the front right of the machine.

- Install the mirror in the location indicated in the figure at right.
(F): 454 mm (17.9 in)
- If the mirror does not move smoothly when adjusting its angle, loosen mirror fixing bolt (4) and stay mounting bolt (5).
Tightening torque of bolt (4): 15.7 - 19.6 Nm
(1.6 - 2.0 kgm, 11.6 - 14.5 lbft)



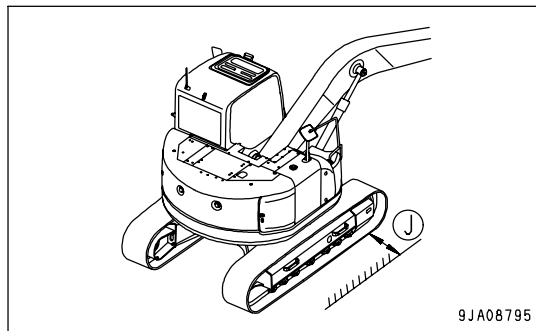
- When adjusting, set so that the front right portion of the machine appears in the mirror as shown in the figure at right.



Mirrors (C)

Adjust the mirror so that people around 1 m away from the machine can be seen from the operator's seat.

(J): 1 m (3 ft 3 in)



- Install the mirror in the location indicated in the figure at right.

(H): 95 mm (3.7 in)

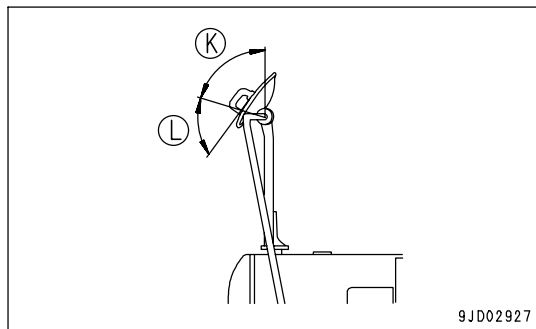
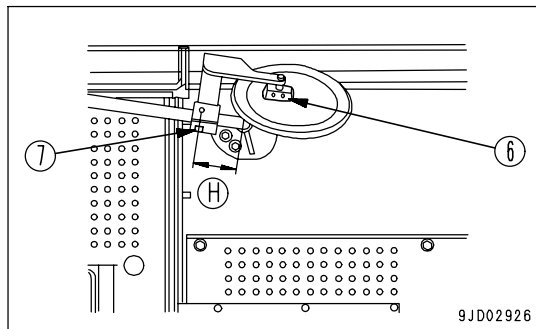
(K): 75°

(L): 70°

- If the mirror(C) does not move smoothly when adjusting its angle, loosen mirror fixing screw (6) and stay mounting bolt(7).

Tightening torque of screw (6): 3.0 - 3.5 Nm

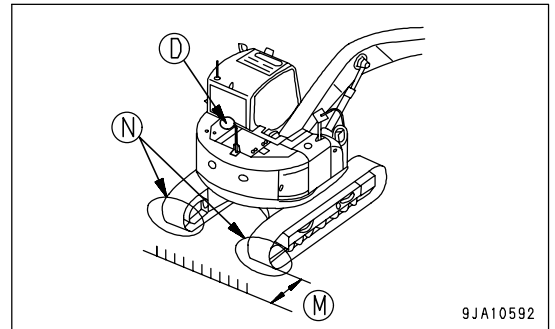
(0.31 - 0.35 kgm, 2.2 - 2.5 lbft)



Mirror (D)
(if equipped)

Adjust the mirror so that both people around 1 m away from the machine and ends of track shoe (N) can be seen from the operator's seat.

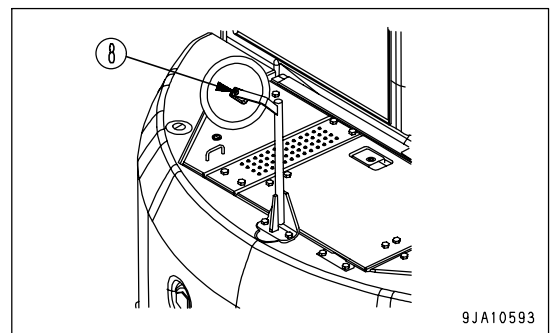
(M): 1 m (3 ft 3 in)



- If the mirror does not move smoothly when adjusting its angle, loosen mirror fixing screw (8).

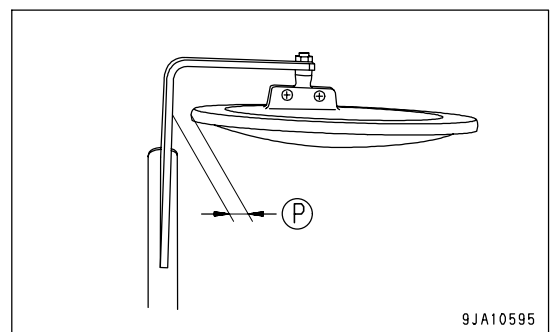
Tightening torque of screw (8): 3.0 - 3.5 Nm

(0.31 - 0.36 kgm , 2.2 - 2.6 lbf)



- When installing the mirror, make sure to leave clearance (P) to prevent contact between the mirror and the mirror stay.

(P): Min. 5 mm (0.20 in).

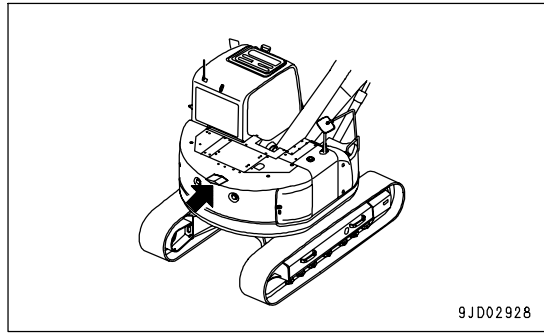


Adjusting Angle of Camera

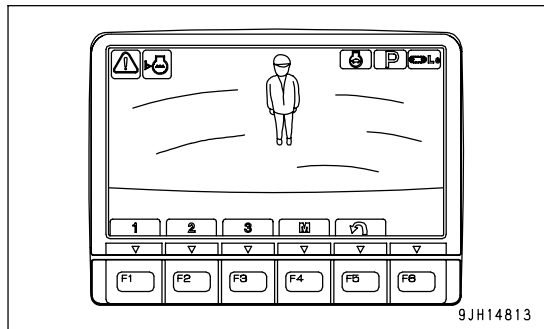
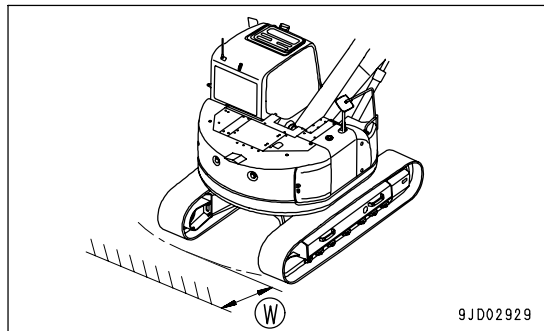


WARNING

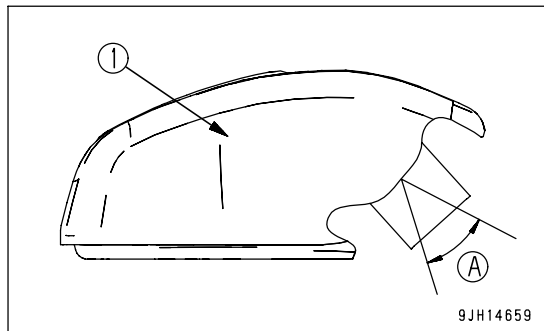
- Be sure to adjust the camera before starting work. If it is not adjusted properly, you cannot secure the visibility and may be injured or may injure someone seriously.
- When adjusting the angle of the rearview camera, prepare a scaffold first in order to provide a safe working platform.
If you try to make such an adjustment, standing on the counterweight, there is always the danger of serious injury like falling off.



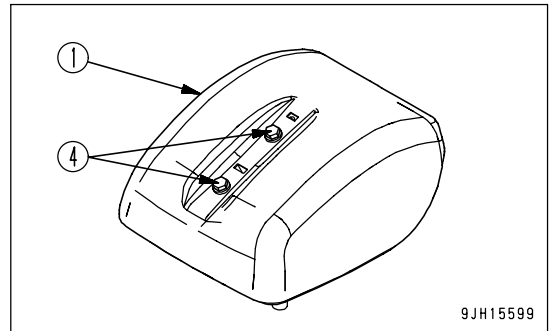
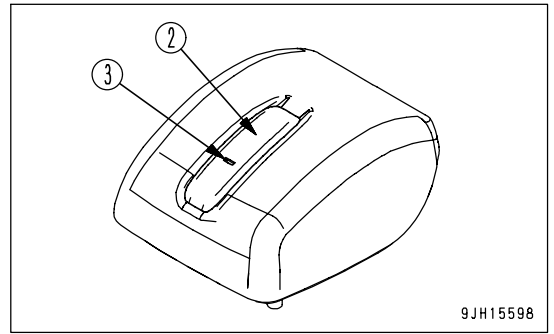
Adjust the angle of the rearview camera so that a person standing in area 1 m {3 ft 3 in} away from the machine's rear part (W) appears in the machine monitor at the operator's seat.



If the image on the monitor is not aligned correctly, remove cover (1) and adjust the mounting angle (A) of the rearview camera.
Amount of adjustment of angle (A): Within a range of 30 to 60 deg.



1. When removing bolt cover (2), insert a flat-head screwdriver etc. to the hole (3) of bolt cover (2) and push the inside claw to remove.
2. Remove mounting bolts (4) of cover (1) from 2 places.
3. Remove cover (1).

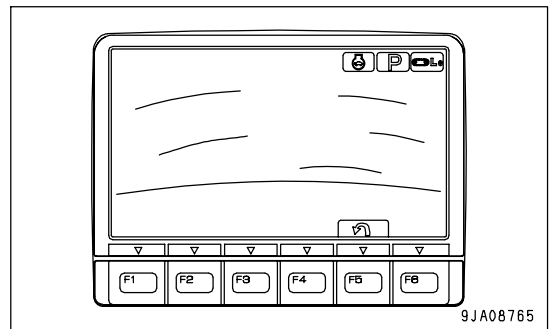
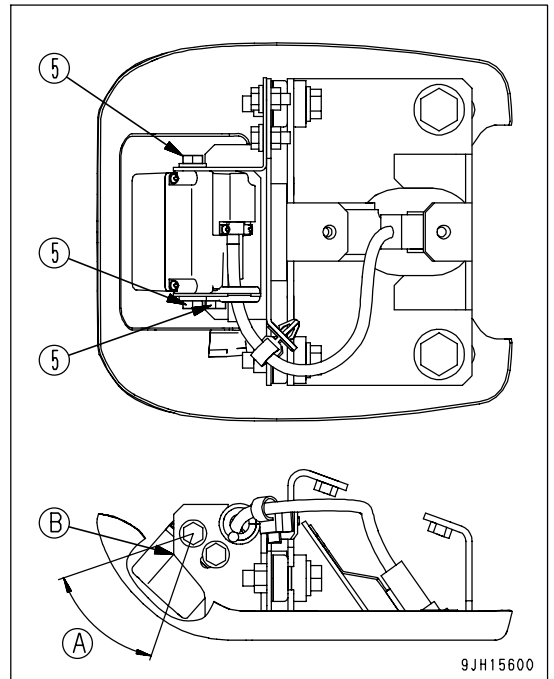


4. Loosen camera mounting bolt (5) and adjust camera installing angle (A) so that the side of camera matches the edge of bracket (B).

REMARK

Part of the machine is shown on the monitor screen.

5. After adjusting, tighten bolt (5).
6. Install covers (1) and (2).



Wind-in Type Seat Belt



WARNING

- Before fitting the seat belt, check that there is no problem in the belt mount bracket or mounting belt. If it is worn or damaged, replace the seat belt.
- Even if there are no signs of damage, replace belts in accordance with the following schedule:
5 years after the date of seat belt manufacture, or every 3 years after the start of actual usage, whichever date comes sooner.
- Always wear the seat belt during operations.
- Fit the seat belt so that it is not twisted.

REMARK

The date of seat belt manufacture attached to the seat belt is the start of the 5-year period. It is not the start of the 3-year period of actual usage.

Fastening and Removing Seat Belt

This seat belt has a wind-in device, so it is not necessary to adjust the length.

Fastening seat belt

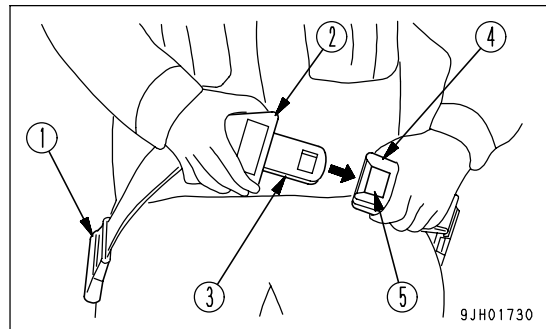
Hold grip (2) and pull the belt out from wind-in device (1), check that the belt is not twisted, then insert tongue (3) into buckle (4) securely.

When doing this, pull the belt lightly to check that it is properly locked.

Removing belt

Press button (5) in buckle (4), and remove tongue (3) from buckle (4).

The belt is automatically wound in, so hold grip (2) and return the belt slowly to wind-in device (1).

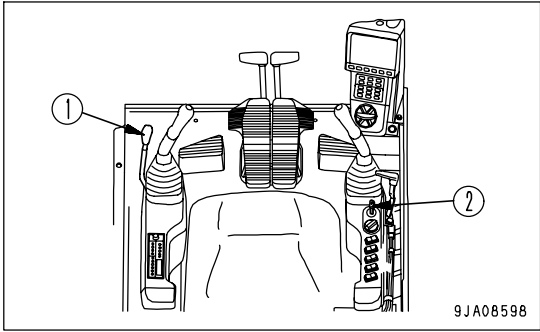


9JH01730

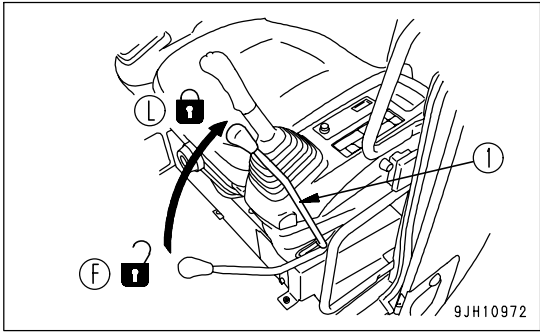
Operations Before Starting Engine

! WARNING

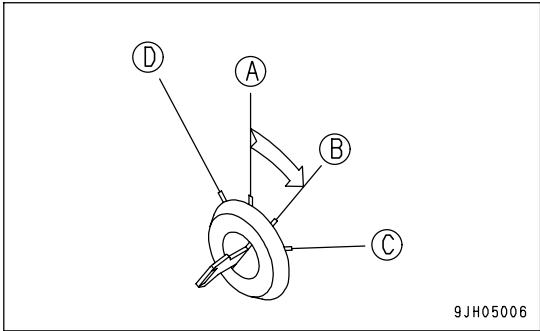
When starting the engine, check that the lock lever is securely at LOCK position. If the lock lever is not locked securely and the control levers or control pedal are touched when the engine is started, the machine may move unexpectedly, and this may lead to serious personal injury.



1. Check that lock lever (1) is at LOCK position (L).
2. Check that each control lever and control pedal is at NEUTRAL position.
If the control levers and control pedal are not being touched, they will be at NEUTRAL position.



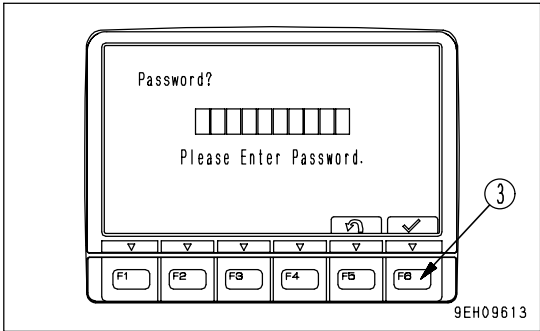
3. Insert the key in starting switch (2), turn the key to ON position (B), then perform the following checks.



- If a password has been set, the input display screen will be displayed on the monitor screen.
After inputting the password, press Enter switch F6 (3).

REMARK

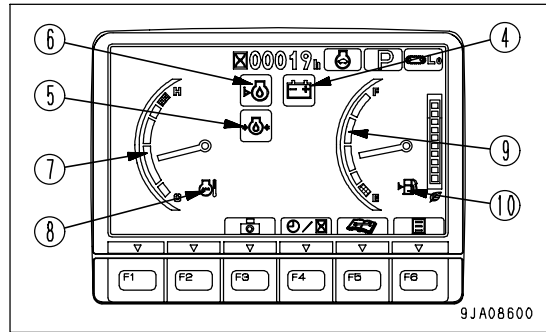
Contact your Komatsu distributor for details of the method of setting, changing, or cancelling the password.



1) The buzzer sounds for approx. 2 seconds, then the monitor or meter lights up for approx. 2 seconds.

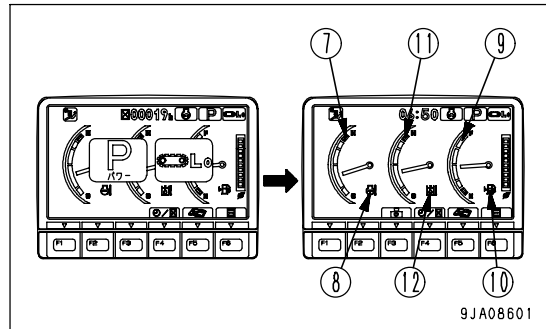
- Charge level monitor (4)
- Engine oil pressure monitor (5)
- Engine oil level monitor (6)
- Engine coolant temperature gauge (7)

If any monitor does not light up or the buzzer does not sound, there is probably a failure in the monitor, so please contact your Komatsu distributor for repairs.

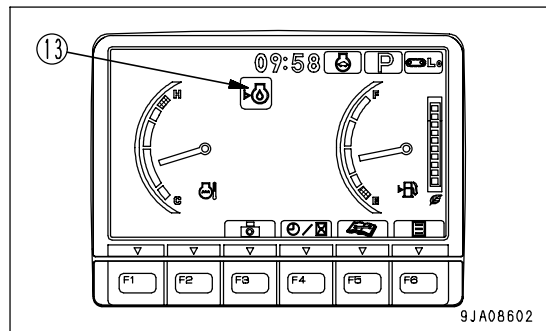


2) After approx. 2 seconds, the screen will change to the working mode/travel speed display monitor. Next, it will switch to the standard screen.

- Engine coolant temperature gauge (7)
- Engine coolant temperature monitor (8)
- Fuel gauge (9)
- Fuel level monitor (10)
- Hydraulic oil temperature gauge (11)
- Hydraulic oil temperature monitor (12)

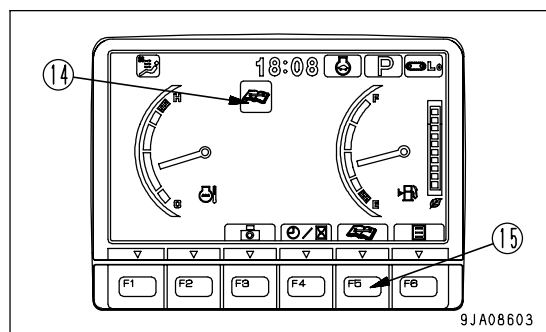


3) If the hydraulic oil temperature gauge is out or caution lamp (13) stays lighted up red, immediately check the item that lights up in red.



4) If the maintenance interval has passed, maintenance interval monitor (14) lights up for 30 seconds. Press maintenance switch F5 (15), check the item, and carry out maintenance immediately.

For details of the method of checking the maintenance time, see "Maintenance Selector Switch (PAGE 3-38)" in the explanation for each component.



STARTING ENGINE

Normal Starting



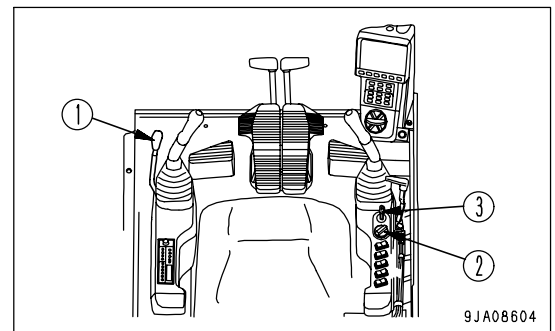
WARNING

- Sit down in the operator's seat before starting the engine.
- Do not attempt to start the engine by short-circuiting the engine starting circuit. Such an act may cause serious injury, death or fire.
- Check that there are no persons or obstacles in the surrounding area, then sound the horn and start the engine.
- Exhaust gas is toxic. When starting the engine in confined spaces, be particularly careful to ensure good ventilation.

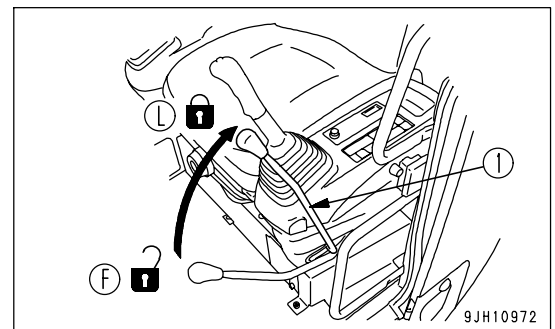
NOTICE

- Do not try to start the engine with the fuel adjustment dial set near the High idle (MAX). Otherwise the engine parts may be damaged.
- Do not keep the starting motor rotating continuously for more than 20 seconds.

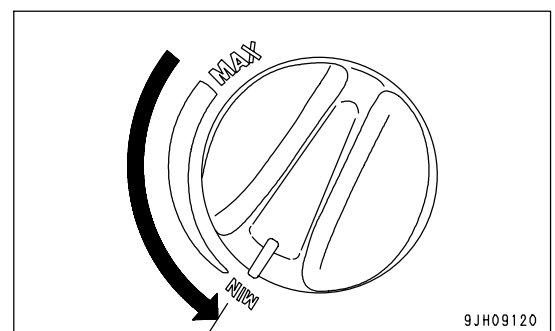
If the engine will not start, wait for at least 2 minutes before trying to start the engine again.



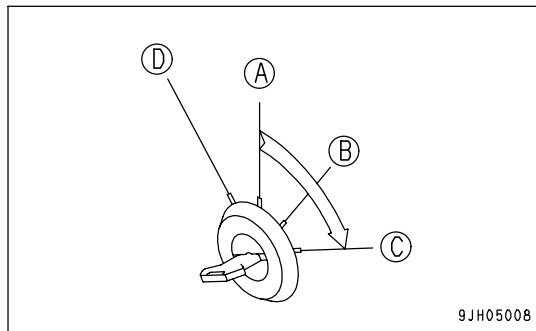
1. Check the lock lever (1) is in LOCK position (L). If the lock lever (1) is in FREE position (F), the engine does not start.



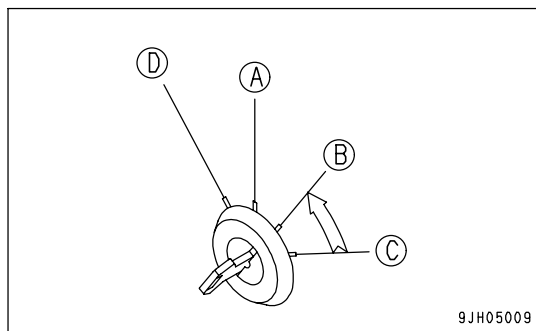
2. Set fuel control dial (2) at the Low idle (MIN) position.



3. Turn the key in starting switch (3) to START position (C). The engine will start.

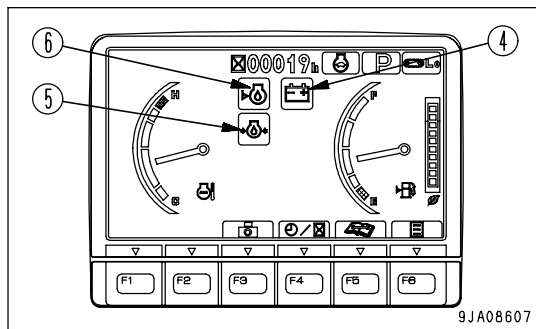


4. When the engine starts, release the key in starting switch (3). The key will automatically return to ON position (B).



5. Keep the engine idle for the initial 15 seconds right after it has been started, and do not operate any control lever or the fuel adjustment dial during that time.

6. Check that battery charge monitor (4), engine oil pressure monitor (5), and engine oil level monitor (6) are off.



Starting Engine in Cold Weather

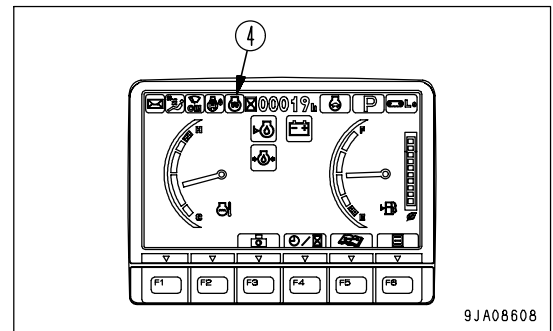
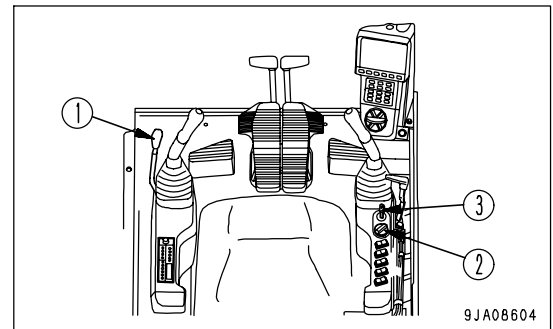
 **WARNING**

- Start the engine only after sitting down in the operator's seat.
- Do not attempt to start the engine by short-circuiting the engine starting circuit. Such an act may cause a serious personal injury, death or fire.
- Check that there are no persons or obstacles in the surrounding area, then sound the horn and start the engine.
- Never use starting aid fluids as they may cause explosions.
- Exhaust gas is toxic. When starting the engine in confined spaces, be particularly careful to ensure good ventilation.

NOTICE

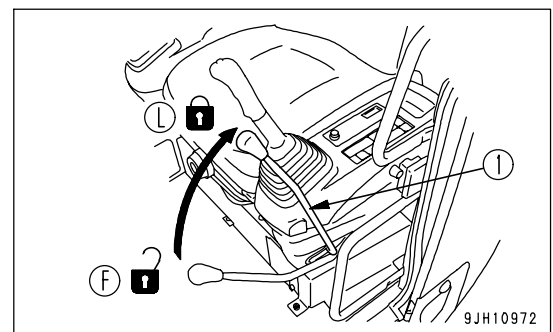
- Do not try to start the engine with the fuel adjustment dial set near the High idle (MAX). Otherwise the engine parts may be damaged.
- Do not keep the starting motor rotating continuously for more than 20 seconds.

If the engine fails to start, wait for about 2 minutes and repeat from Step 4.



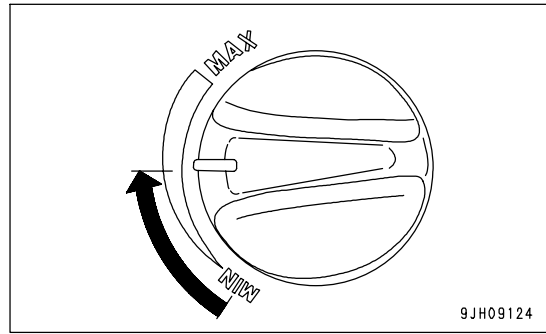
When starting in low temperatures, do as follows.

1. Check the lock lever (1) is in LOCK position (L). If the lock lever (1) is in FREE position (F), the engine does not start.



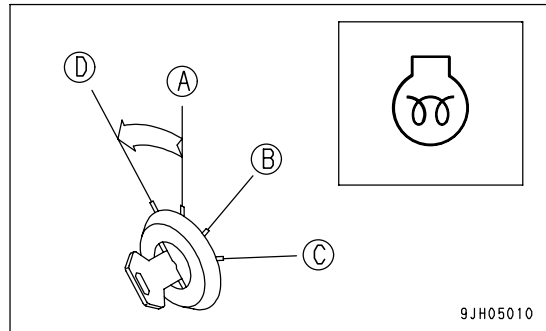
2. Before starting the engine, check that fuel control dial (2) is at the Low idle (MIN) position.

- Turn fuel control dial (2) to the center position between LOW IDLE and HIGH IDLE.



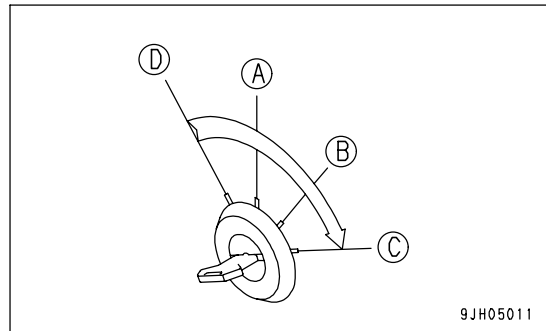
9JH09124

- Hold the key in starting switch (3) at HEAT position (D) and check that preheating monitor (4) lights up. After approx. 30 seconds, preheating monitor (4) will flash for 10 seconds to inform the operator that the preheating has been completed.



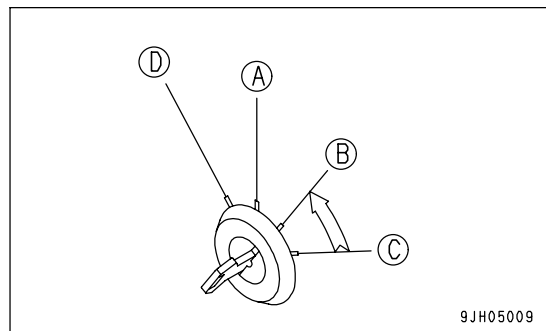
9JH05010

- When engine pre-heating monitor (4) goes off, turn the key in starting switch (3) to the START position (C) to start the engine.



9JH05011

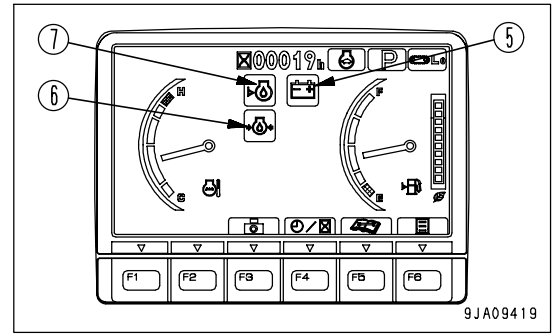
- When the engine starts, release the key in starting switch (3). The key will automatically return to ON position (B).



9JH05009

- Keep the engine idle for the initial 15 seconds right after it has been started, and do not operate any control lever or the fuel adjustment dial during that time.

8. Check that battery charge monitor (5), engine oil pressure monitor (6), and engine oil level monitor (7) are off.



Turbo protect function

The turbo protect function is a function to protect the turbocharger by keeping the engine speed at less than 1100 rpm immediately after the engine is started.

- When the turbo protect function is actuated, the engine speed is held at less than 1100 rpm, regardless of the position of the fuel control dial.
- When the turbo protect function is actuated, the engine speed is held at less than 1100 rpm, even if the fuel control dial is operated.
- When the turbo protect function is canceled, the engine speed is set to the speed for the position of the fuel control dial.
- The relationship between the length of time of actuating the turbo protect function and the temperature of the engine coolant is as shown in the table.

Coolant temperature	Turbo protect time (sec.)
Above 10°C (50°F)	0
10 to -30°C (50 to -22°F)	Change 0 to 20
below -30°C (22°F)	20

Breaking-in the New Machine

NOTICE

Your Komatsu machine has been thoroughly adjusted and tested before shipment from the factory. However, operating the machine under full load before breaking the machine in can adversely affect the performance and shorten the machine life. Be sure to break in the machine for the initial 100 hours (as indicated on the service meter).

Make sure that you fully understand the content of this manual, and pay careful attention to the following points when breaking in the machine.

- Run the engine at idle for 15 seconds after starting it. During this time, do not operate the control levers or fuel control dial.
- Idle the engine for 5 minutes after starting it up.
- Avoid operation with heavy loads or at high speeds.
- Immediately after starting the engine, avoid sudden starts, sudden acceleration, unnecessary sudden stops, and sudden changes in direction.

AFTER STARTING ENGINE



WARNING

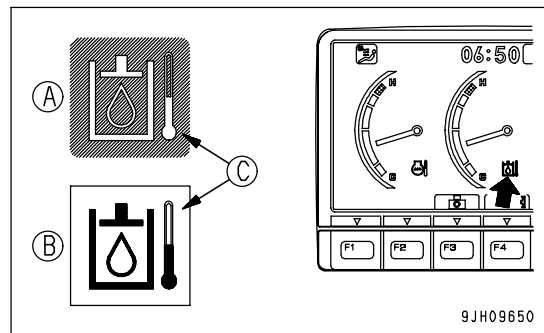
- To stop the engine in emergencies or when the actuation of the engine is abnormal or there is any other trouble, turn the key in the starting switch to OFF position.
- Do not perform operations or operate the levers or pedal suddenly while the hydraulic oil is at low temperature. Always perform the warm-up operation for the hydraulic equipment until the hydraulic oil temperature monitor displays the correct temperature.

(When the hydraulic oil temperature is low, the low temperature display shown on the right is given.)

(A) Display when temperature is normal: Monitor background (C) is blue

(B) Display when temperature is low: Monitor background (C) is white

- If the warm-up operation for the hydraulic equipment is not performed thoroughly, and the machine is moved, the reaction of the control levers and pedals will be slow and the movement may not be what the operator intended. Always warm up the hydraulic equipment. In particular, in cold areas, always warm up the hydraulic equipment thoroughly.



There are 2 types of warm-up operation: warm up the engine and warm up the hydraulic equipment. In addition, depending on the environment, the method of performing the warm-up operation may differ, so perform the warm-up operation according to the items given in the appropriate section.

(When only the engine is warmed up, the hydraulic equipment is not warmed up, so always perform the warm-up operation for the hydraulic equipment separately from the warm-up operation for the engine. Warm up the hydraulic equipment thoroughly ensures that the hydraulic oil is warmed up and that warm hydraulic oil circulates in all the control circuits.)

Checking of Engine Startability and Noise

When starting the engine, check that the engine causes no abnormal noise and that it starts up easily and smoothly. Check also that there is no abnormal noise when the engine is at idle or when the revolution rises slightly.

- When there is an abnormal noise at the engine startup and if that condition continues, the engine may be damaged. In that case, ask your Komatsu distributor to check the engine as soon as possible.

Checking of Engine Acceleration and Deceleration

When stopping the machine during the operation, check that there is no irregular engine revolution or that the engine does not stop suddenly.

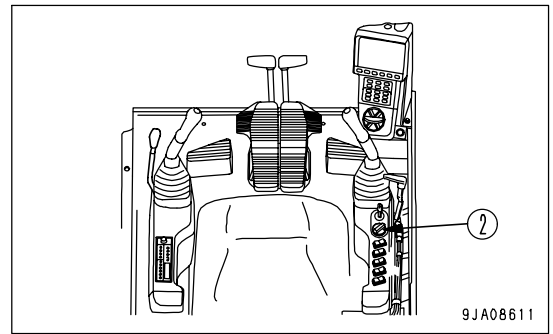
Check also that the engine speed rises smoothly when the fuel control dial is turned to High idle (MAX).

- Perform these checks in a safe place, watching out for danger in the surroundings.
- When the engine performs very badly at Low idle (MIN) and in the acceleration and if that condition continues, the engine may be damaged or confuse the operator's sense of driving or lower the braking efficiency, and as a result lead to an unexpected accident. In that case, ask your Komatsu distributor to check the engine as soon as possible.

Engine Warm Up

NOTICE

- Do not accelerate the engine suddenly until the warm-up operation has been completed.
- Do not run the engine at Low idle (MIN) or High idle (MAX) under no load for more than 20 minutes. This will have an adverse effect on the environment, and will also have an adverse effect on the internal structure of the engine. If it is necessary to run the engine at idle for more than 20 minutes, apply a load from time to time or run at a mid-range speed.

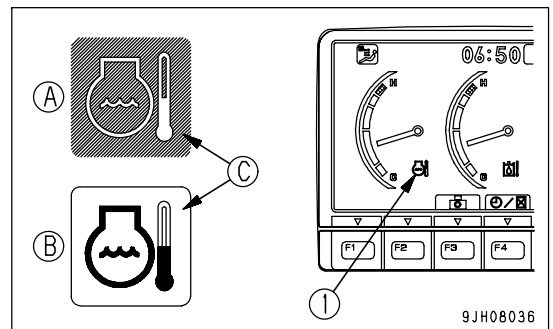


After the engine starts, do not start operating the machine immediately. First, perform the following operations and checks.

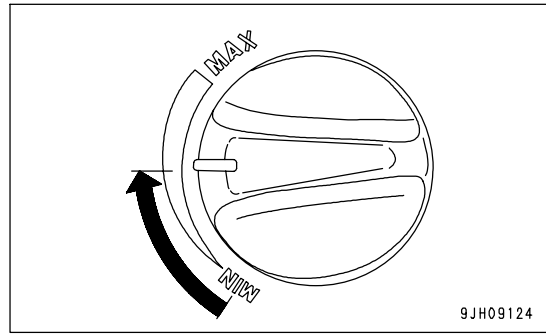
1. This machine is equipped with an automatic engine warm-up system, so if the engine water temperature is below 30°C (86°F) after the engine is started, the engine warm-up operation starts automatically. When the engine automatic warm-up operation starts, the engine speed is maintained at a speed higher than the normal Low idle (MIN).
If the engine water temperature goes above 30°C (86°F) or if the warm-up operation has been continued for more than 10 minutes, the automatic warm-up operation is cancelled and the engine speed drops to the normal Low idle (MIN).

2. Check that engine coolant temperature monitor (1) displays the correct temperature.
If it displays low temperature, use the procedure in step 3 to perform additional warm up of the engine until the monitor displays the correct temperature.

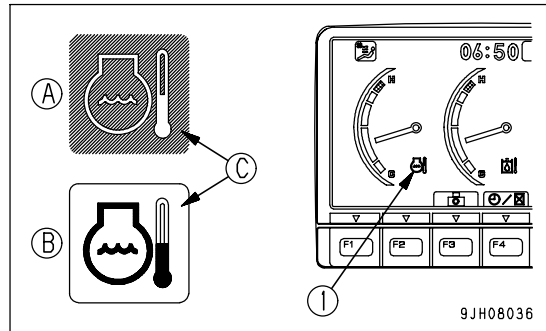
- (A) Display when temperature is normal: Monitor background (C) is blue
- (B) Display when temperature is low: Monitor background (C) is white



3. Turn fuel control dial (2) to a point midway between Low idle (MIN) and High idle (MAX), run the engine under no load at a mid-range speed until engine coolant temperature monitor (1) displays the correct temperature.



- (A) Display when temperature is normal: Monitor background (C) is blue
- (B) Display when temperature is low: Monitor background (C) is white



If the engine coolant temperature monitor displays the correct temperature, the engine warm-up operation is completed.

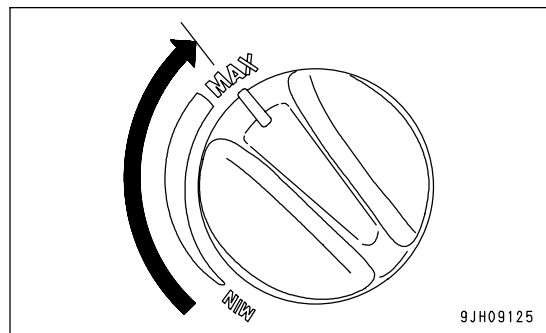
After checking that the engine coolant temperature monitor displays the correct temperature, perform the warm-up operation for the hydraulic equipment.

NOTICE

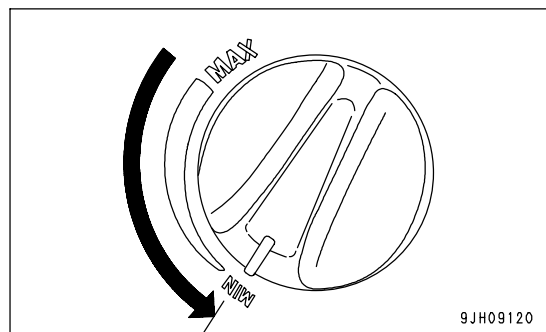
Canceling automatic warm-up operation

If it becomes necessary in an emergency to cancel the automatic warm-up operation or to lower the engine speed to Low idle (MIN), do as follows.

1) Turn fuel control dial (2) to High idle (MAX) and hold it for 3 seconds.



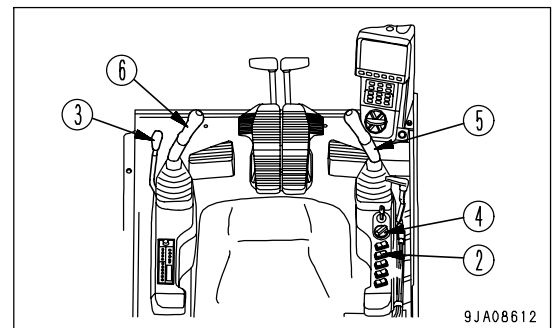
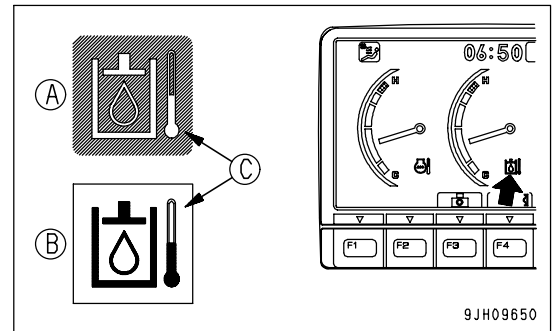
2) When fuel control dial (2) is returned to Low idle (MIN) position, the engine speed will drop.



Hydraulic Equipment Warm Up

WARNING

- Before performing the warming-up operation for the hydraulic equipment, turn the swing lock switch ON, check on the monitor that the swing lock is actuated, then start the warming-up operation.
- When warming up the hydraulic equipment, check that there is no person or obstacle in the surrounding area, then sound the horn and start the operation.
- Perform the warming-up operation for the hydraulic equipment until the hydraulic oil temperature monitor displays the correct temperature.
(When the hydraulic oil temperature is low, the low temperature display shown in the diagram on the right is given.)
(A) Display when temperature is normal: Monitor background (C) is blue
(B) Display when temperature is low: Monitor background (C) is white
- The warming-up operation for the hydraulic equipment is necessary not only for the circuit between the pump and cylinders and between the pump and motor, but also for the control circuits. Do not perform the operation just for 1 cylinder or motor, or the operation just in one direction. Perform the operation in all directions for all the work equipment (boom, arm, bucket), swing, travel, and attachment (if equipped).



1. Check that engine coolant temperature monitor (1) displays the correct temperature.

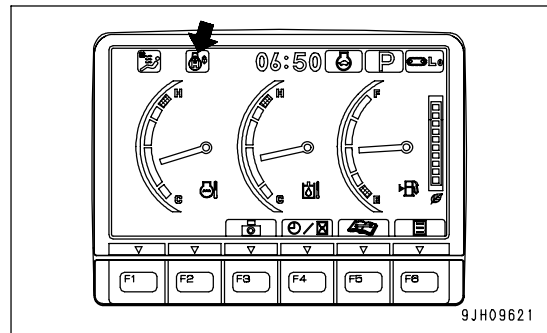
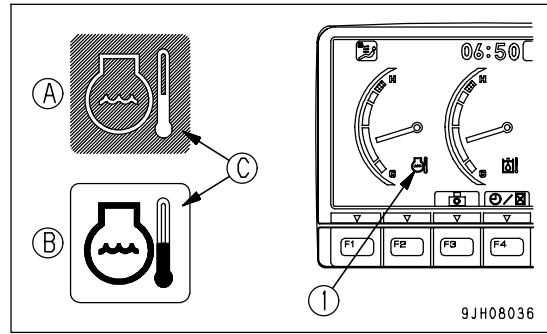
(A) Display when temperature is normal: Monitor background (C) is blue

(B) Display when temperature is low: Monitor background (C) is white

If it displays low temperature, perform additional warm up of the engine until engine coolant temperature monitor (1) displays the correct temperature.

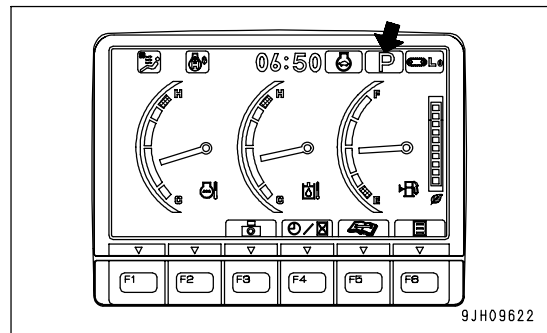
For details of the procedure, see "Engine Warm Up (PAGE 3-143)".

2. Turn swing lock switch (2) ON and check that the swing lock monitor lights up.

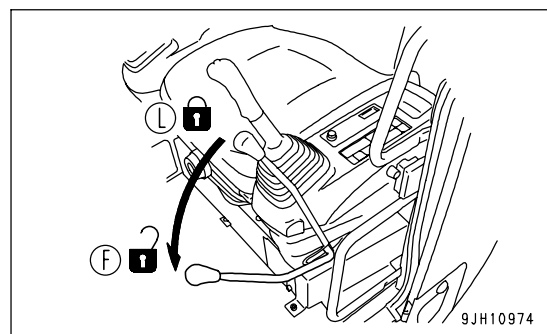


3. To complete the warm-up operation of the hydraulic equipment more quickly, set the working mode to P mode (heavy-duty mode).

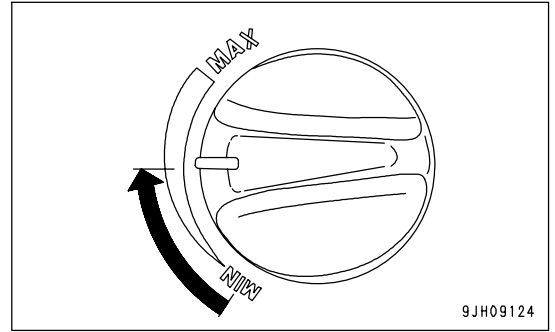
For details of the procedure for setting the working mode, see "Working Mode Selector Switch (PAGE 3-25)".



4. Move lock lever (3) slowly to FREE position (F), then raise the bucket from the ground.



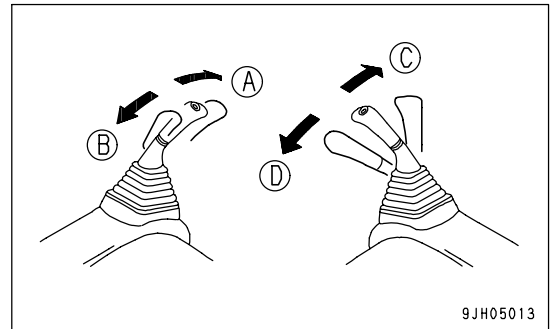
- Turn fuel control dial (4) to a point midway between Low idle (MIN) and High idle (MAX) position.



NOTICE

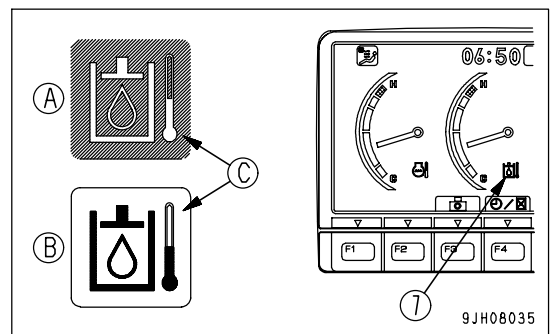
When the work equipment is retracted, take care that it does not interfere with the machine body or ground.

- Move right work equipment control lever (5) slowly in the direction to pull in the bucket (D). Operate the lever to the end of its travel and hold it in position for 30 seconds.
- Move right work equipment control lever (5) slowly in the direction to push out the bucket (C). Operate the lever to the end of its travel and hold it in position for 30 seconds.
- Next, move left work equipment control lever (6) slowly in the direction to pull in the arm (B). Operate the lever to the end of its travel and hold it in position for 30 seconds.
- Move left work equipment control lever (6) slowly in the direction to push out the arm (A). Operate the lever to the end of its travel and hold it in position for 30 seconds.
- Repeat the operation in steps 6 to 9 for 5 minutes.



- Check that hydraulic oil temperature monitor (7) is displaying the correct temperature.
If the hydraulic oil temperature monitor is not displaying the correct temperature (it is displaying low temperature), repeat steps 6 to 10 until the display is the correct temperature.

- (A) Display when temperature is normal: Monitor background (C) is blue
- (B) Display when temperature is low: Monitor background (C) is white

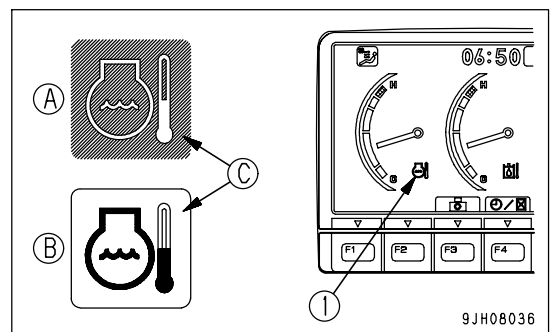


- Check that engine coolant temperature monitor (1) displays the correct temperature.

- (A) Display when temperature is normal: Monitor background (C) is blue
- (B) Display when temperature is low: Monitor background (C) is white

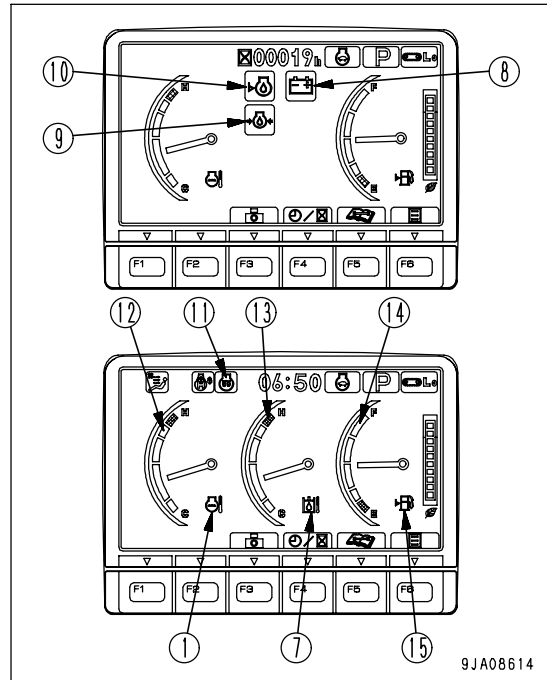
If it displays low temperature, perform additional warm up of the engine until engine coolant temperature monitor (1) displays the correct temperature.

For details of the procedure, see "Engine Warm Up (PAGE 3-143)".



13. Check that the hydraulic oil temperature monitor and engine coolant temperature monitor are displaying the correct temperature, then check that all the gauges and caution monitors on the machine monitor are in the following state.

- Engine coolant temperature monitor (1): Displays correct temperature
- Hydraulic oil temperature monitor (7): Displays correct temperature
- Charge level monitor (8): OFF
- Engine oil pressure monitor (9): ON
- Engine oil level monitor (10): OFF
- Engine pre-heating monitor (11): OFF
- Engine coolant temperature gauge (12): Indicator in green range
- Hydraulic oil temperature gauge (13): Indicator in green range
- Fuel gauge (14): Indicator in green range
- Fuel level monitor (15): Displays appropriate level

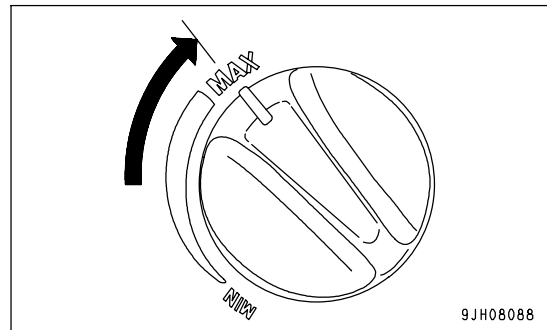


14. Check for abnormal exhaust gas color, noise, or vibration. If any problem is found, contact your Komatsu distributor.

In cold temperatures [ambient temperature below 0 °C (32 °F)], even when the hydraulic oil temperature monitor displays the correct temperature, perform additional step 15 to warm up all the hydraulic equipment.

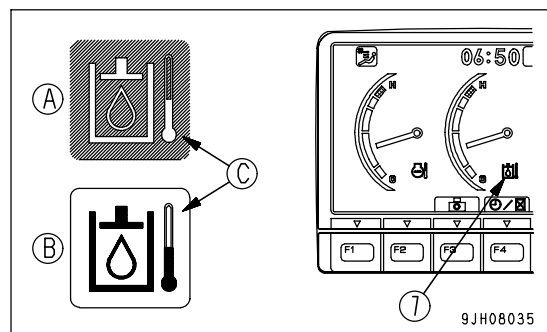
15. Turn fuel control dial (4) to High idle (MAX) position, repeat steps 6 to 9 for 3 to 5 minutes, then check again that the hydraulic oil temperature monitor is displaying the correct temperature.

If it is not displaying the correct temperature, repeat steps 6 to 9 for 3 to 5 minutes until hydraulic oil temperature monitor (7) displays the correct temperature.



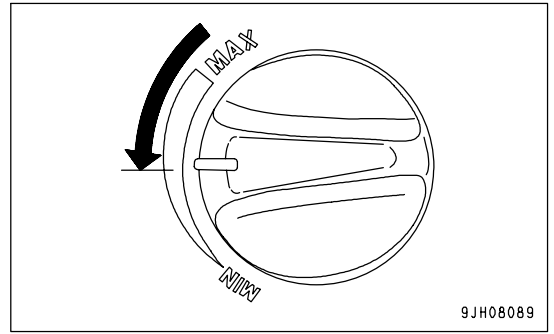
(A) Display when temperature is normal: Monitor background (C) is blue

(B) Display when temperature is low: Monitor background (C) is white



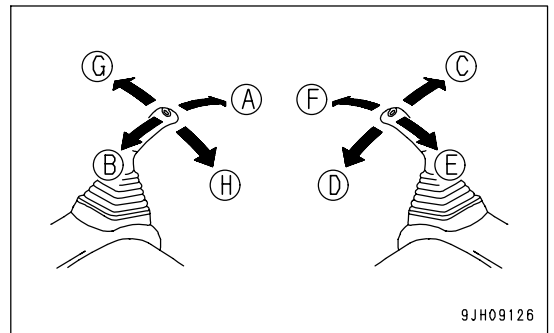
For both normal temperatures and cold temperatures, perform the following operation.

16. Check that fuel control dial (4) is at a point midway between Low idle (MIN) and High idle (MAX) position.
If it is not at the midway position, set it to the midway position and run the engine at a mid-range speed before operating.



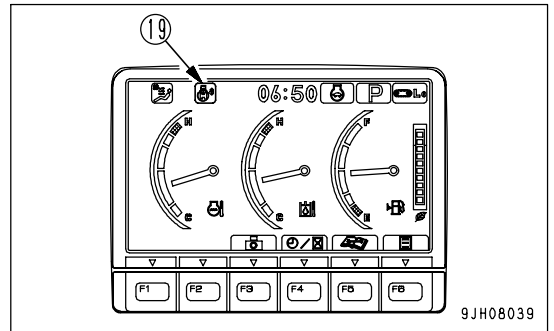
17. Before starting operations, repeat the following operations slowly 3 to 5 times to circulate warm oil through the control circuits.

- Boom operation RAISE (E) ↔ LOWER (F)
- Arm operation IN (B) ↔ OUT (A)
- Bucket operation CURL (D) ↔ DUMP (C)

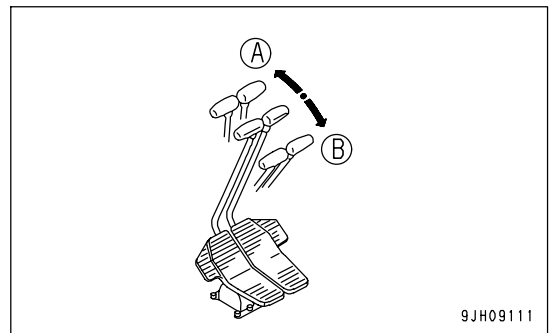


When performing swing operations, release swing lock switch (2), check that swing lock monitor (19) goes out, then operate the swing.

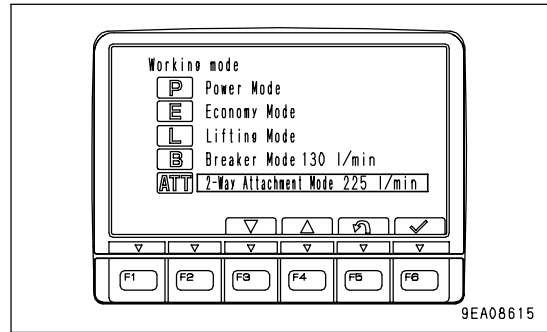
- Swing operation Left (G) ↔ Right (H)



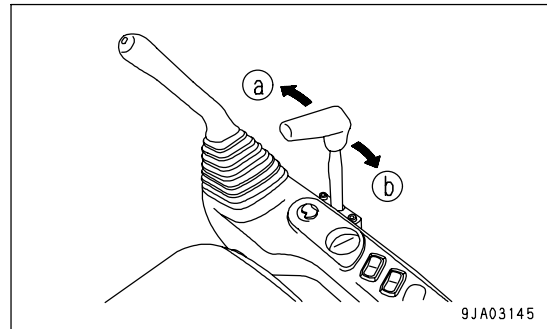
- Travel (Lo) operation FORWARD (A) ↔ REVERSE (B)



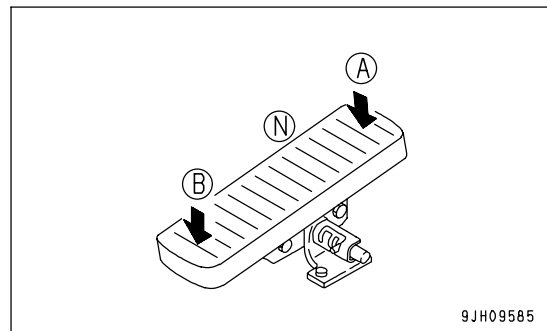
When operating the blade (blade specification) or an attachment (if equipped), change the working mode to the attachment mode before starting.



- Blade operation LOWER (a) ↔ RAISE (b)



- Attachment operation One way (A) ↔ Other way (B)

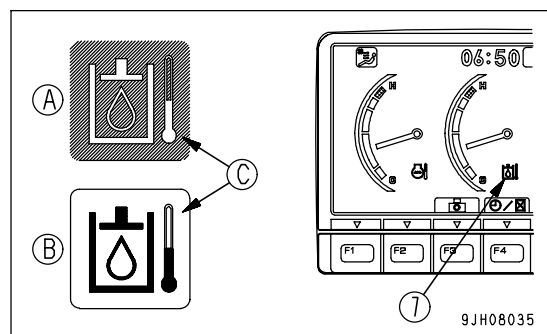


18. Check that hydraulic oil temperature monitor (7) is displaying the correct temperature.

If the hydraulic oil temperature monitor is not displaying the correct temperature (it is displaying low temperature), repeat steps 6 to 10 until the display is the correct temperature.

(A) Display when temperature is normal: Monitor background (C) is blue

(B) Display when temperature is low: Monitor background (C) is white



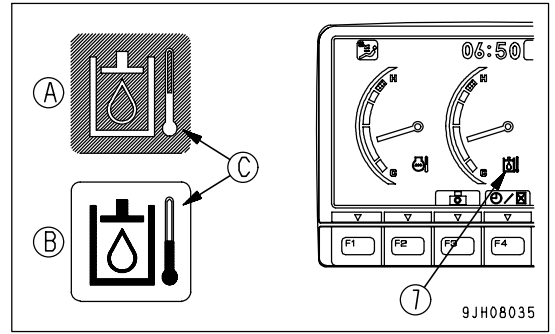
If the hydraulic oil temperature monitor displays the correct temperature, the hydraulic equipment warm-up operation is completed.

After confirming that the hydraulic oil temperature monitor displays the correct temperature, perform the following procedure.

Operation After Completion Of Warm-Up Operation

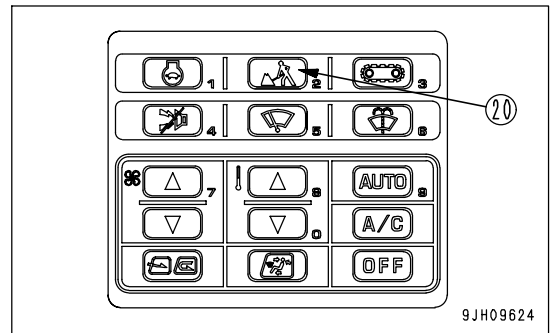
1. Check that hydraulic oil temperature monitor (7) displays the correct temperature.

- (A) Display when temperature is normal: Monitor background (C) is blue
- (B) Display when temperature is low: Monitor background (C) is white



2. Push working mode selector switch (20) of the machine monitor to select the working mode to be used.

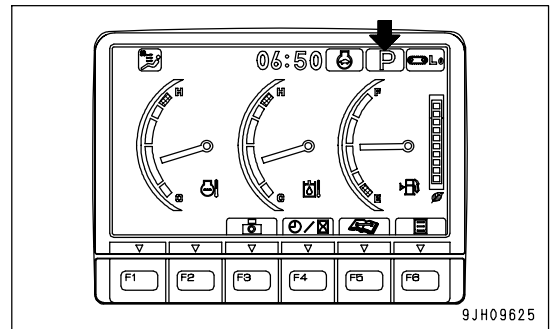
For details of the procedure for selecting the working mode, see "Working Mode Selector Switch (PAGE 3-25)".



• Working mode monitor display

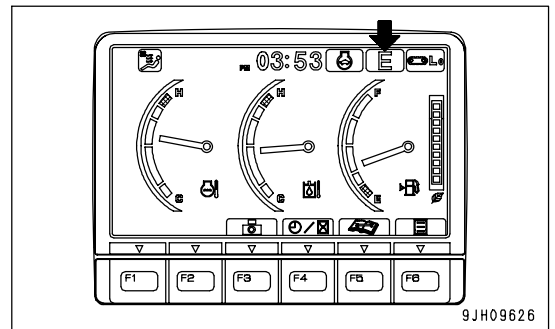
1) P mode

For heavy-duty operations



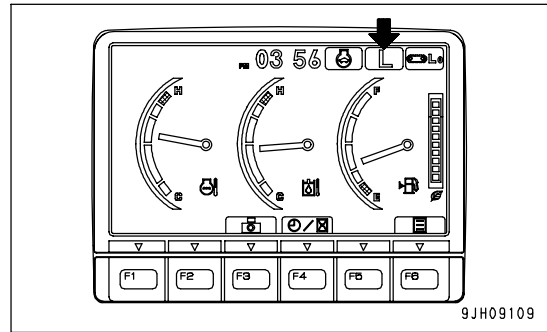
2) E mode

For operations with emphasis on fuel economy



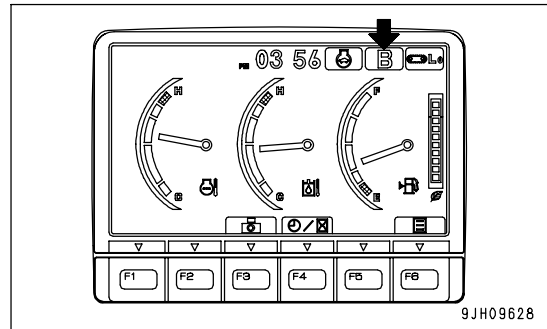
3) L mode

For operations requiring fine control



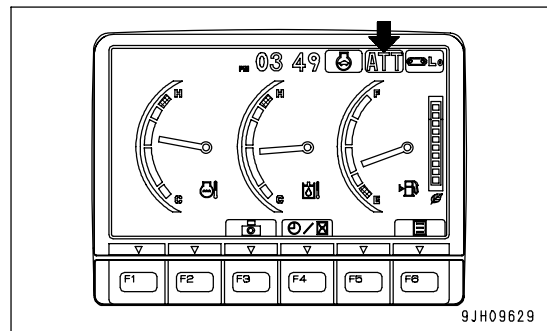
4) B mode

For breaker operations



5) ATT mode

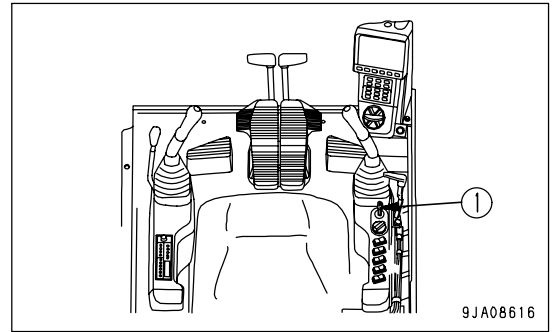
For operations with crusher or other double-acting action attachment



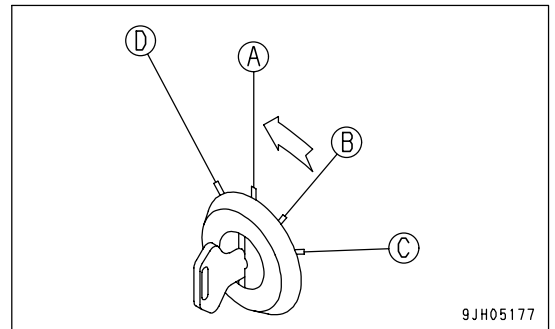
STOPPING THE ENGINE

NOTICE

If the engine is stopped abruptly, service life of component parts of the engine may be considerably reduced. Do not stop the engine abruptly except in an emergency. If the engine has overheated, do not try to stop it abruptly but run it at medium speed to allow it to cool down gradually, and then stop it.



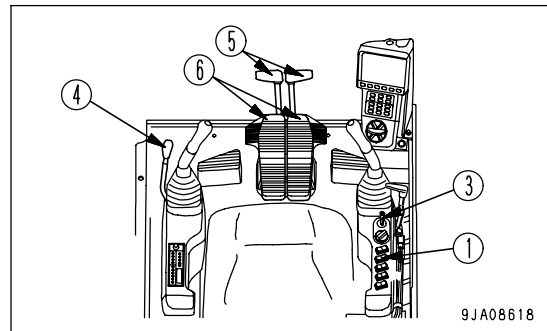
1. Run the engine at Low idle (MIN) for approximately 5 minutes to cool down gradually.
2. Turn the key in starting switch (1) to OFF position (A) and stop the engine.
3. Remove the key from starting switch (1).



MACHINE OPERATION

! WARNING

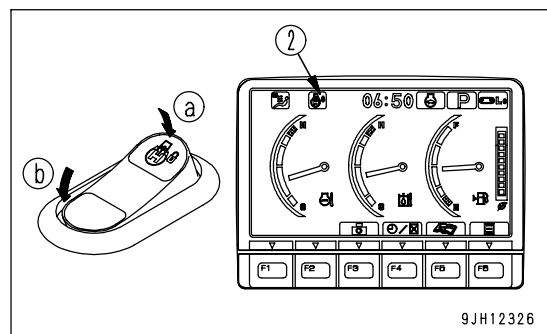
- Before operating the travel lever or travel pedal, check the direction that the track frame is facing.
When the track frame is facing the rear (when the sprocket is at the front), the direction of operation of the travel lever and travel pedal is the opposite to the direction of movement of the machine (forward/reverse, left/right).
- Before starting the machine off, check that the area around the machine is safe, and sound the horn.
- Do not allow anyone to enter the area around the machine.
- Remove any obstacles from the travel path.
- The area at the rear of the machine is a blind spot. Always use the camera to check the area at the rear of the machine before traveling in reverse.
- When the auto-deceleration is being used, if the travel lever or travel pedal are operated, the engine speed will suddenly rise, so be careful when operating the travel lever or travel pedal.
- When traveling, check that the travel alarm works properly.



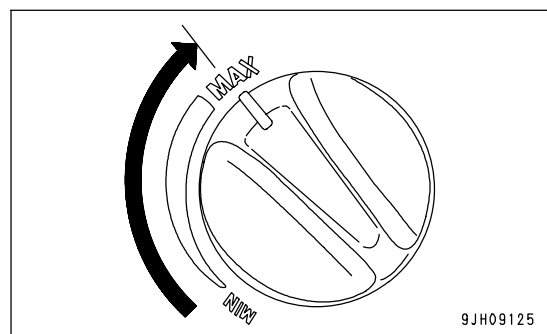
Preparations for Moving the Machine

1. Set swing lock switch (1) to ON (actuated) position and confirm that swing lock monitor lamp (2) lights up.

- (a): ON position
- (b): OFF position

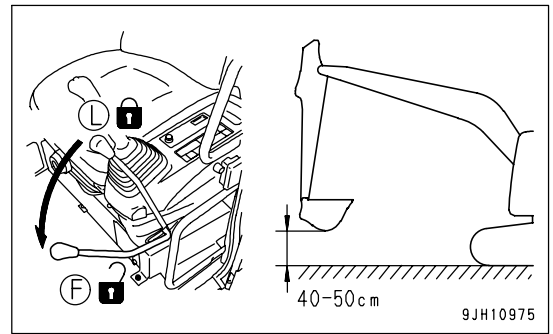


2. Turn fuel control dial (3) towards High idle (MAX) position to increase the engine speed.



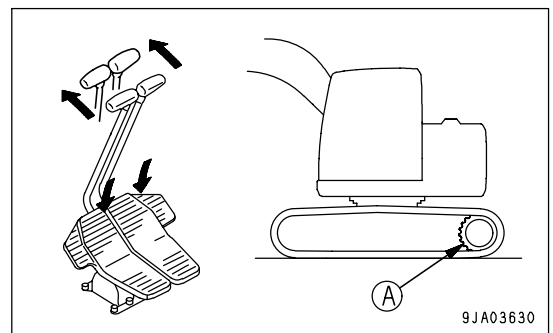
Moving Machine Forward

1. Set lock lever (4) in FREE position (F), fold the work equipment, and raise it 40 to 50 cm {16 to 20 in} from the ground.

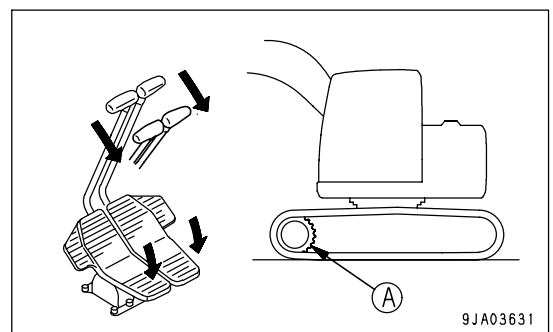


2. Raise the blade. (Blade specification only)
3. Operate right and left travel levers (5) or right and left travel pedals (6) as follows.

- When sprocket (A) is situated at the rear of the machine;
Start the machine either by pushing lever (5) forward slowly or by stepping on the front part of pedal (6) slowly.



- When sprocket is situated at the front of the machine;
Start the machine either by pulling lever (5) back slowly or by stepping on the rear part of pedal (6) slowly.



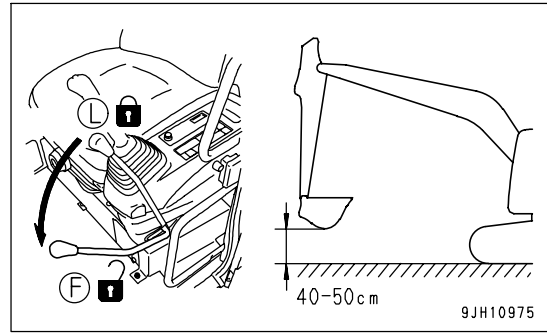
4. Check that the travel alarm sounds properly. If the travel alarm does not sound, contact your Komatsu distributor for repair.

REMARK

In cold temperatures, if the machine travel speed is not normal, thoroughly perform the warming-up operation. In addition, if the undercarriage is clogged with mud and the machine travel speed is not normal, remove the soil and mud from the undercarriage.

Moving Machine Backward

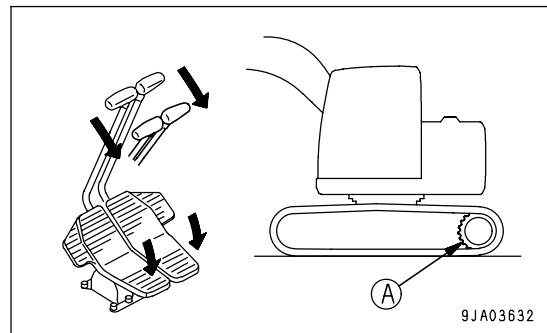
1. Set lock lever (4) in FREE position (F), fold the work equipment, and raise it 40 to 50 cm {16 to 20 in} from the ground.



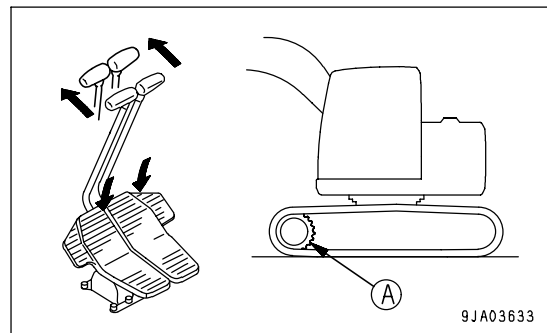
2. Raise the blade. (Blade specification only)

3. Operate right and left travel levers (5) or right and left travel pedals (6) as follows.

- When sprocket is situated at the rear of the machine;
Start the machine either by pulling lever (5) back slowly or by stepping on the rear part of pedal (6) slowly.



- When sprocket (A) is situated at the front of the machine;
Start the machine either by pushing lever (5) forward slowly or by stepping on the front part of pedal (6) slowly.



4. Check that the travel alarm sounds properly. If the travel alarm does not sound, contact your Komatsu distributor for repair.

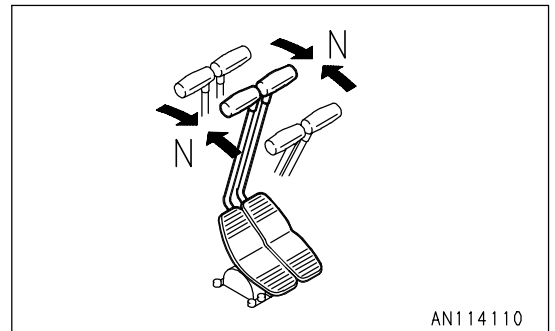
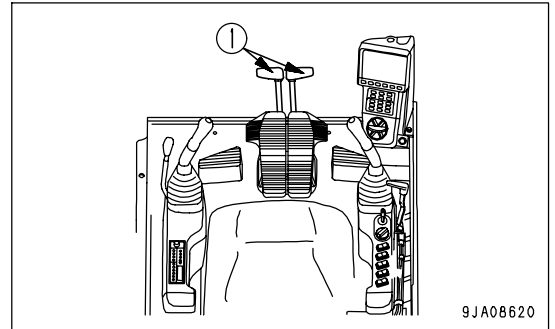
REMARK

In cold temperatures, if the machine travel speed is not normal, thoroughly perform the warming-up operation. In addition, if the undercarriage is clogged with mud and the machine travel speed is not normal, remove the soil and mud from the undercarriage.

Stopping Machine

Avoid stopping suddenly. Give yourself ample room when stopping.

1. Put the left and right travel levers (1) in NEUTRAL position, then stop the machine.



STEERING THE MACHINE

Steering

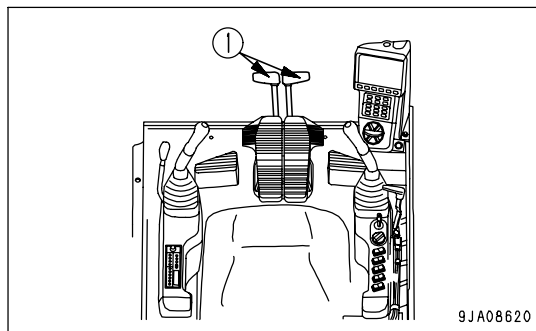
 **WARNING**

Before operating the travel levers, check the direction of the track frame (the position of the sprocket). If the sprocket is at the rear, the machine moves in the reverse direction to the operation of the travel levers.

Use the travel levers to change direction.

Avoid sudden changes of direction as much as possible. Especially when performing counter-rotation (spin turn), stop the machine before turning.

Operate 2 travel levers (1) as follows.



Steering the Machine when Stopped

When turning to the left:

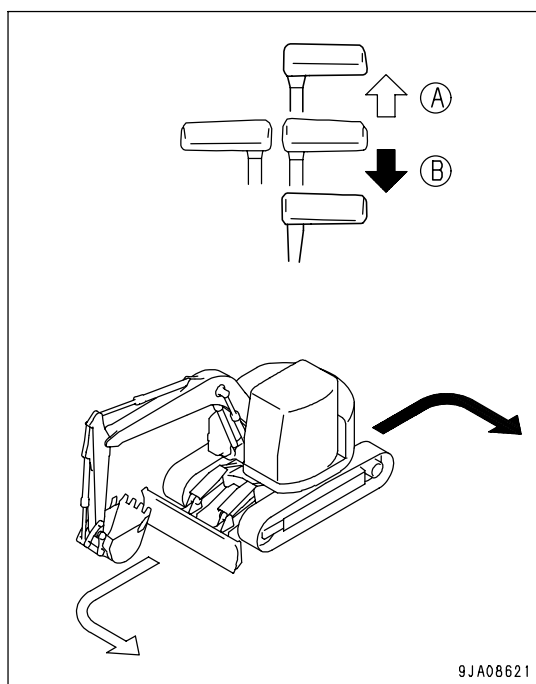
Push the right travel lever forward to turn to the left when traveling forward; and pull it back to turn left when traveling in reverse.

(A): Forward left turn

(B): Reverse left turn

REMARK

When turning to the right, operate the left travel lever in the same way.



Changing Direction of the Machine

When turning to the left:

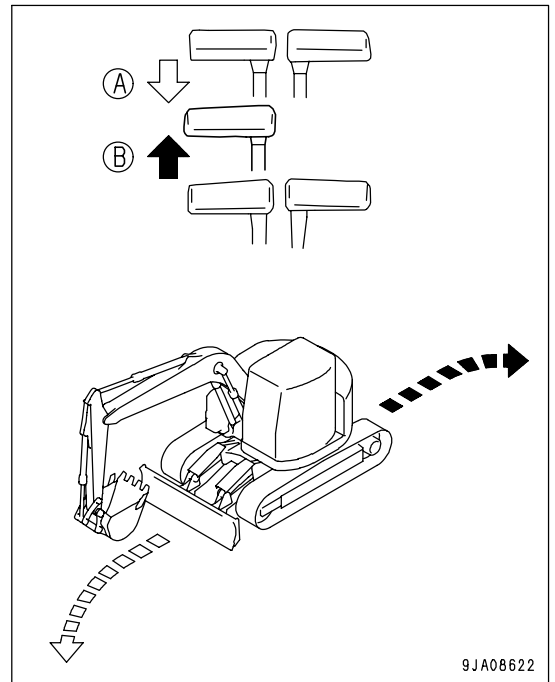
If the left travel lever is returned to NEUTRAL position, the machine will turn to the left.

(A): Forward left turn

(B): Reverse left turn

REMARK

When turning to the right, operate the right travel lever in the same way.

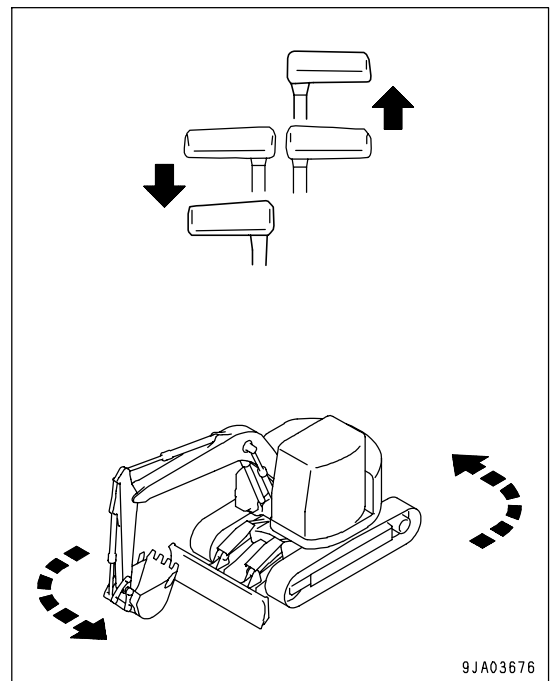


Counter-rotation Turn (Spin Turn)

When using counter-rotation (spin turn) to turn left, pull the left travel lever back and push the right travel lever forward.

REMARK

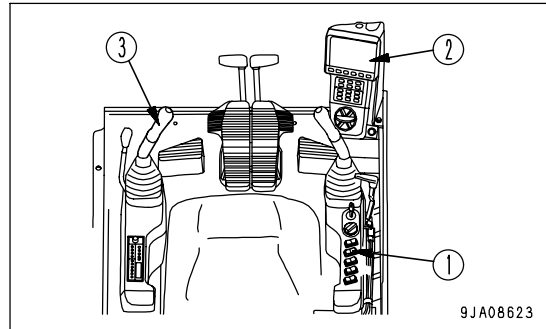
When using counter-rotation to turn right, pull the right travel lever back and push the left travel lever forward.



SWINGING

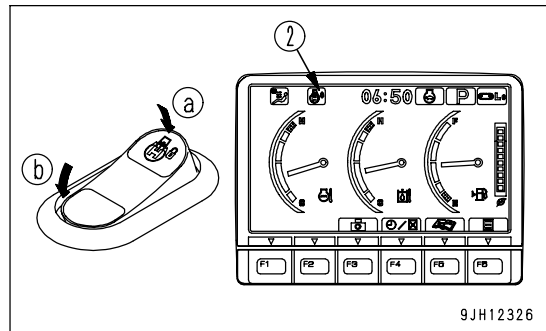
! WARNING

- The rear of the machine extends outside the track width. Before swinging, check with the camera and mirrors, and also check visually that the surrounding area is safe.
- When the auto-deceleration has been actuated and the engine speed is low, if the control lever is operated, the engine speed will suddenly rise, so be careful when operating.



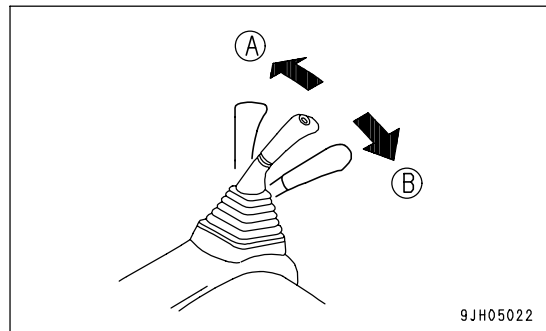
1. Before starting the swing operation, turn swing lock switch (1) OFF and check that swing lock monitor (2) has gone out.

- (a): ON position
- (b): OFF position



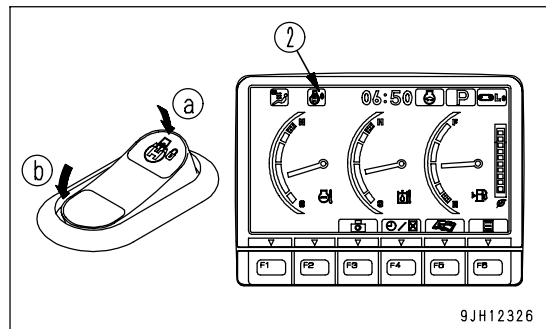
2. Operate left work equipment control lever (3) to swing the upper structure.

- (A): Left swing
- (B): Right swing



3. When not using the swing, turn swing lock switch (1) ON. Check that swing lock monitor (2) lights up.

- (a): ON position
- (b): OFF position



WORK EQUIPMENT CONTROLS AND OPERATIONS

**WARNING**

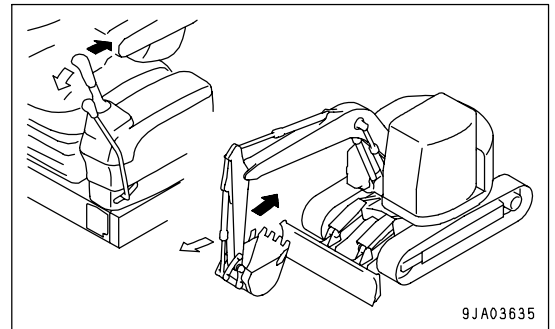
If the lever is operated when the engine speed has been lowered by the auto-deceleration function, the engine speed will suddenly rise, operate the levers carefully.

Use the control levers to operate the work equipment.

Note that when the levers are released, they return to HOLD position and the work equipment is held in that position.

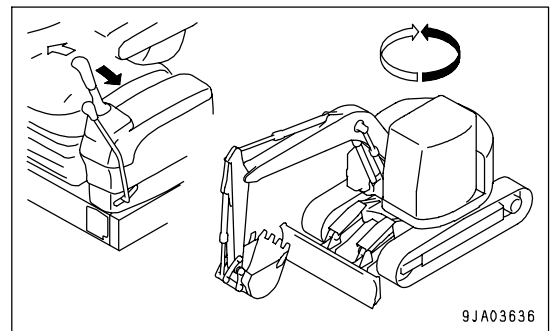
- Arm control

Move the left work equipment control lever to the front or rear to operate the arm.



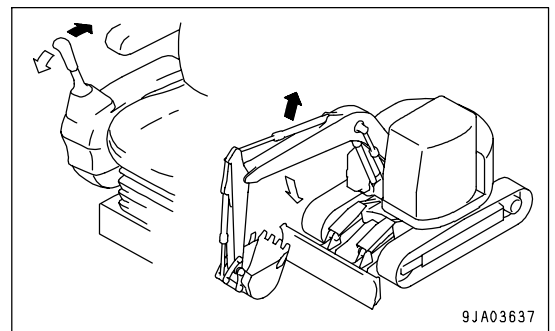
- Swing control

Move the left work equipment control lever to the left or right to swing the upper structure.



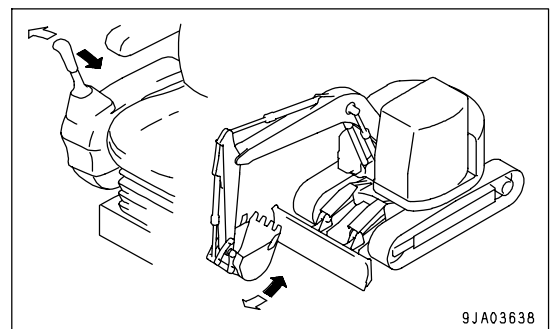
- Boom control

Move the right work equipment control lever to the front or rear to operate the boom.



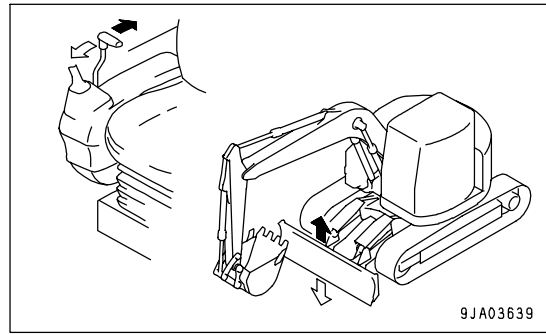
- Bucket control

Move the right work equipment control lever to the left or right to operate the bucket.



- Blade control (blade specification)

Move the lever on the right side of the operator's seat to the front or rear to operate the blade.



If the work equipment control levers are returned to NEUTRAL position when the machine is stopped, even if the fuel control dial is set to High idle (MAX), the auto-deceleration mechanism will act to reduce the engine speed to a mid-range speed.

REMARK

The control circuit on this machine is equipped with an accumulator. Even if the engine is stopped, if the starting switch key is turned to ON position within 15 seconds after stopping the engine, and the lock lever is set to FREE position, it is possible to use the lever operation to lower the work equipment to the ground.

This procedure can also be used for releasing the remaining pressure in the hydraulic cylinder circuits or for lowering the boom after loading the machine onto a trailer.

WORKING MODE

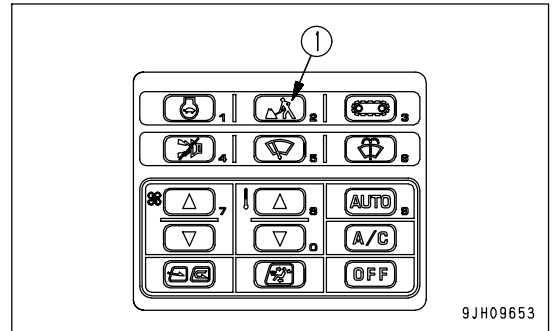
Working Mode

Use working mode selector switch (1) to select the working mode that matches the operating conditions or purpose. This will make it possible to perform operations efficiently.

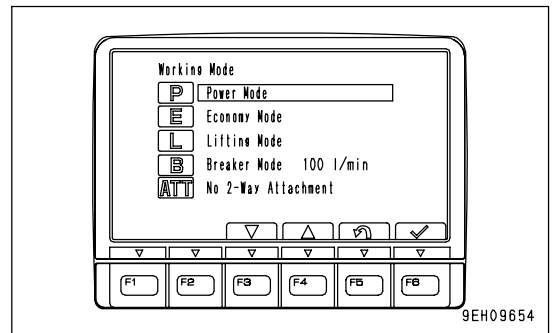
Use the following procedure to select the most efficient working mode.

When the starting switch is turned ON, the working mode is set to the mode that was in operation when the starting switch was last turned OFF.

Use the working mode switch to set the mode to the most efficient mode to match the type of work.



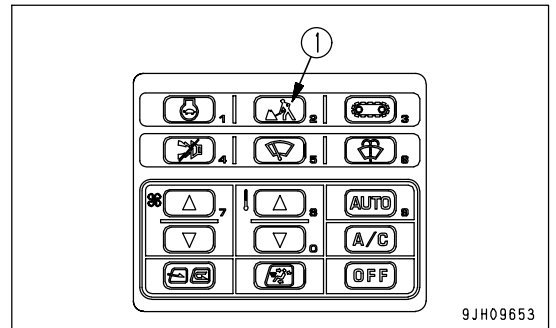
Working mode	Applicable operations
P mode	Normal digging or loading operations (operations with emphasis on production)
E mode	Normal digging or loading operations (operations with emphasis on fuel consumption)
L mode	Aligning position (fine control operations)
B mode	Breaker operations
ATT mode	Operations with the crusher or other double-acting action attachment



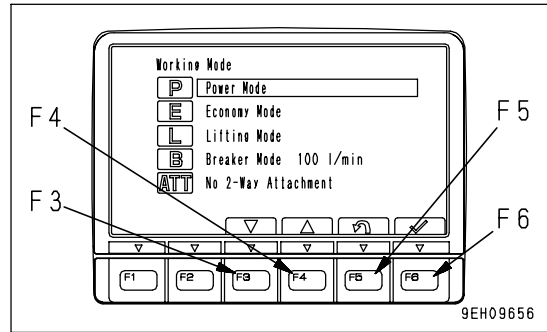
NOTICE

If breaker operations are performed in a mode other than the breaker mode, there is danger of breakage of the hydraulic equipment. Do not perform breaker operations in any mode except the breaker mode.

1. If working mode selector switch (1) is pressed, the working mode selection screen is displayed on the monitor.



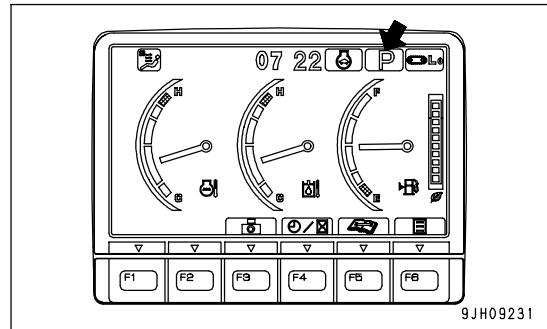
2. Press switches F3 or F4 at the bottom of the screen or the working mode selector switch to select the appropriate mode.



3. After selecting the desired mode, press switch F6 to accept the change. The screen returns to the standard screen.

If switch F5 is pressed, the screen returns to the standard screen without changing the mode.

- If a working mode is selected, and nothing is done for 5 seconds, the selected working mode is automatically accepted and the screen returns to the standard screen.
- If a working mode is selected and working mode switch (1) is kept pressed, the selected mode is accepted and the screen returns to the standard screen.



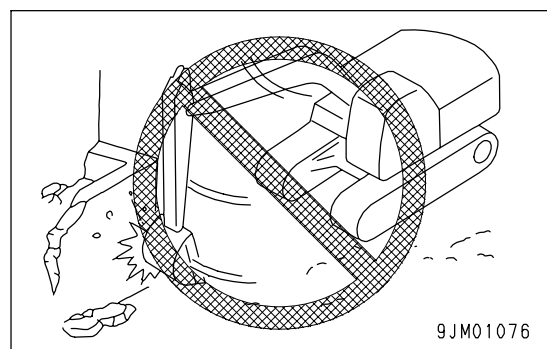
PROHIBITED OPERATIONS

WARNING

- If it is necessary to operate the work equipment control lever when the machine is traveling, stop the machine, then operate the control lever.
- If any lever is operated when the auto-deceleration is being actuated, the engine speed will suddenly increase, so be careful when operating.

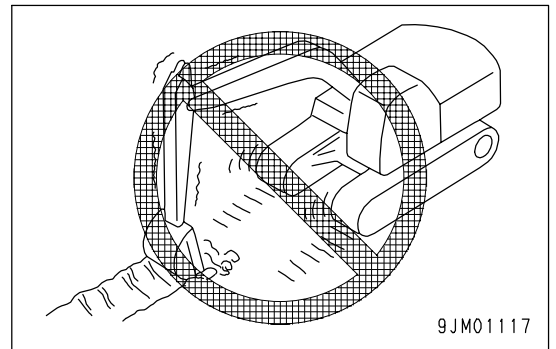
Operations Using Swing Force

Do not use the swing force to compact soil or break objects. This is not only dangerous, but will also drastically reduce the life of the machine.



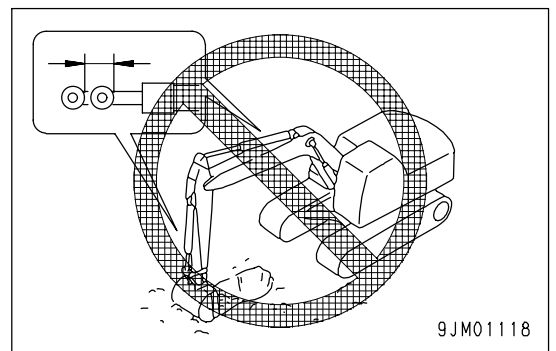
Operations Using Travel Force

Do not dig the bucket into the ground and use the travel force to perform excavation. This will damage the machine or work equipment.



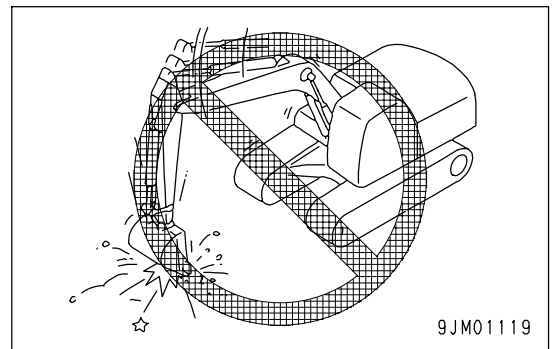
Prohibition of Operations Using Hydraulic Cylinders to Stroke Ends

If the work equipment is used with the cylinder rod operated to its stroke end, and given impact by some external force, the hydraulic cylinders will be damaged, causing personal injury. Avoid operations with the hydraulic cylinder fully retracted or fully extended.



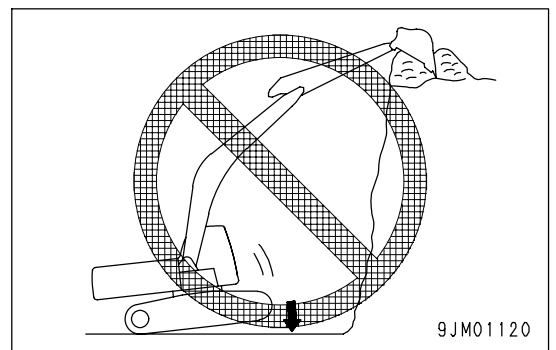
Operations Using Bucket Dropping Force

Do not use the dropping force of the machine for digging, or use the dropping force of the bucket as a pickaxe, breaker, or pile driver. This will drastically reduce the life of the machine.



Operations Using Machine Dropping Force

Do not use the dropping force of the machine for digging.

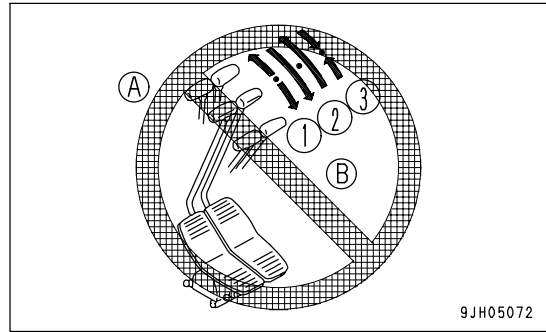


Digging Hard Rocky Ground

Do not attempt to directly excavate hard rocky ground with the work equipment. It is better to excavate it after breaking up by some other means. This will not only save the machine from damage but will make for better economy.

Sudden Lever or Pedal Shifting High Speed Travel

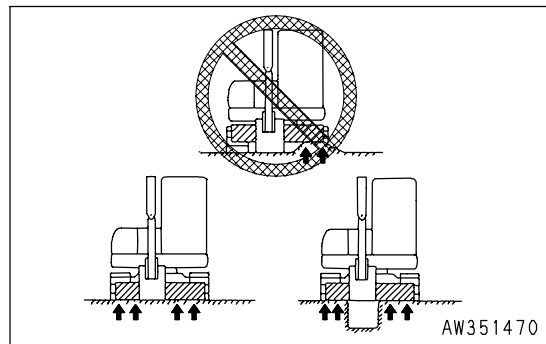
- (1) Do not operate the levers and pedals suddenly or take any other action to move the machine quickly.
- (2) Do not operate the levers or pedals suddenly from FORWARD (A) to REVERSE (B) (or from REVERSE (B) to FORWARD (A)).
- (3) Do not operate the levers or pedals suddenly (do not release them suddenly) to stop the machine when traveling at high speed.



Support Blade on Both Sides

(Only machines with blade specification)

When using the blade as an outrigger, never support the machine with only one end of the blade.

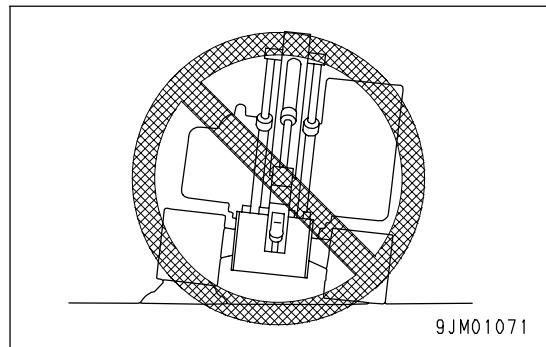


GENERAL OPERATION INFORMATION

Traveling

Traveling over boulders, tree stumps, or other obstacles will cause a big shock to the chassis (and in particular to the tracks), and this will cause damage to the machine. For this reason, always remove any obstacles or travel around them, or take other steps to avoid traveling over such obstacles as far as possible.

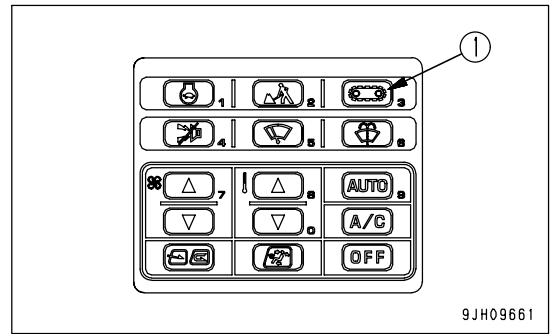
If there is no way to avoid traveling over an obstacle, reduce the travel speed, keep the work equipment close to the ground, and try to travel so that the center of the track passes over the obstacle.



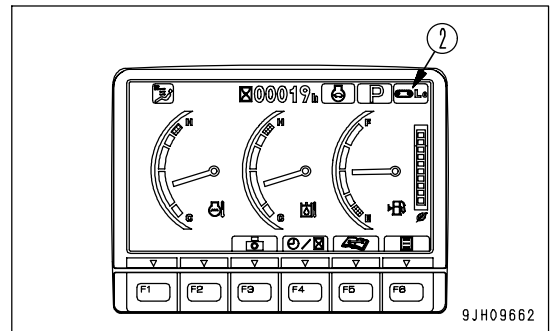
High Speed Travel

On uneven roadbeds such as rock beds or uneven roads with large rocks, travel at Lo speed. When traveling at high speed, set the idler in the forward direction.

- Press travel speed selector switch (1) to change the travel speed. The travel speed (Lo, Hi) is displayed on travel speed monitor (2).



9JH09661

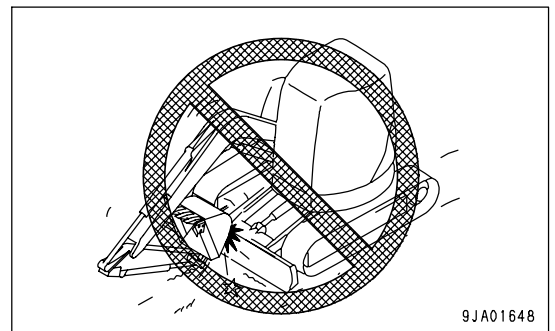


9JH09662

Folding in Work Equipment

(Only machines with blade specification)

When folding in the work equipment to the travel or transportation posture, be careful not to let the bucket hit the blade.

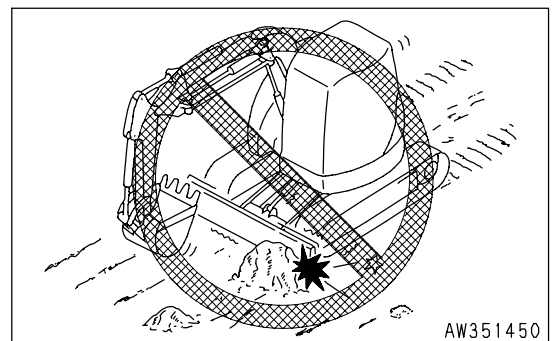


9JA01648

Avoid Hitting Blade

(Only machines with blade specification)

Be careful not to hit the blade against rocks or boulders. This will cause premature damage to the blade or cylinders.

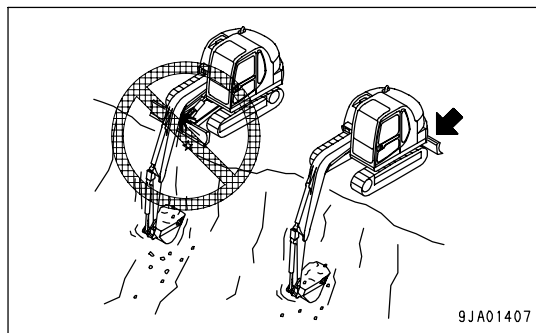


AW351450

Blade During Backhoe Operations

(Only machines with blade specification)

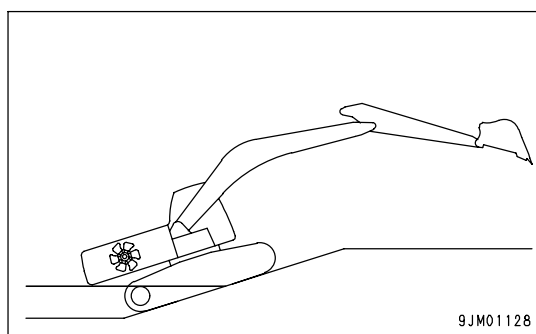
When performing deep digging operations with the blade at the front, be careful not to let the boom cylinder hit the blade. Always position the blade at the back unless it is needed at the front.



PERMISSIBLE DEPTH OF WATER, SOIL AND DIRT

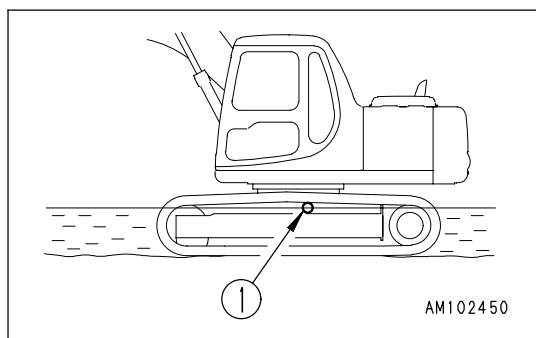
 **CAUTION**

When driving the machine out of water, if the angle of the machine exceeds 15 deg., the rear of the upper structure will go under water, and water will be thrown up by the radiator fan. This may cause the fan to break. Be extremely careful when driving the machine out of water.



Do not drive the machine in water or soil and dirt deeper than the center of carrier roller (1).

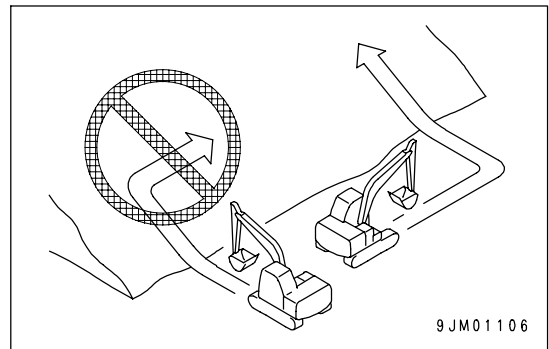
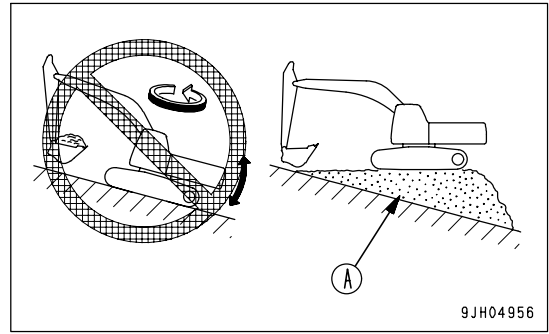
Supply grease to the parts which have been under water for a long time until the used grease is projected out of the bearings (around the bucket pin, in particular).



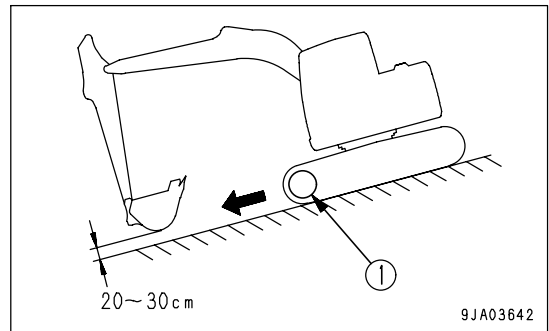
TRAVELING ON SLOPES

WARNING

- Turning or operating the work equipment when working on slopes may cause the machine to lose its balance and turn over, so avoid such operations.
It is particularly dangerous to swing downhill when the bucket is loaded. If such operations have to be performed, pile soil to make a platform (A) on the slope so the machine is kept horizontal during operation.
- Do not work on a slope covered with the steel plates. Even with slight slopes there is a hazard that the machine may slip.
- Do not travel up or down steep slopes. There is a danger that the machine may turn over.
- When traveling, raise the bucket approximately 20 to 30 cm (8 to 12 in) from the ground.
Do not travel downhill in reverse.
- Never turn on slopes or travel across slopes.
Always go down to a flat place to perform these operations. It may be longer, but it will ensure safety.
- Always operate or travel in such a way that it is possible to stop safely at any time if the machine slips or becomes unstable.
- When traveling uphill, if the shoes slip or it is impossible to travel uphill using only the force of the tracks, do not use the pulling force of the arm to help the machine travel uphill. There is danger that the machine may turn over.

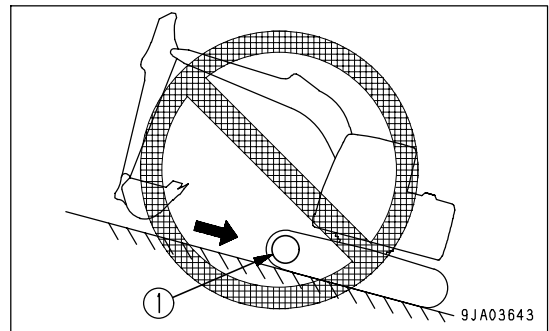


1. When traveling down steep hills, use the travel lever and fuel control dial to keep the travel speed low. When traveling down a steep hill of more than 15 deg., with the sprocket (1) side down, and set the work equipment to the posture shown in the figure on the right, and lower the engine speed.

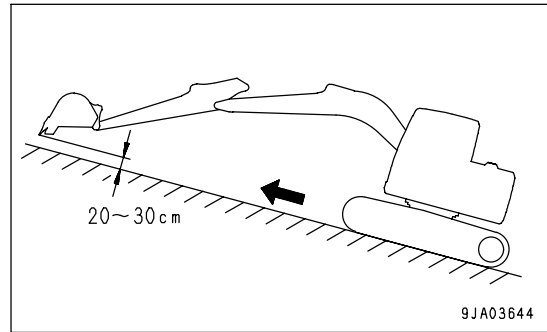


REMARK

Travel down hills with the sprocket (1) side down. If the machine travels down with the sprocket (1) side up, the track tends to become loose, and that can cause skipping pitches.



2. When traveling up a steep hill of more than 15 deg., set the work equipment to the posture shown in the figure on the right.



Traveling Downhill

Put the travel lever in NEUTRAL position. This will cause the brake to be automatically applied.

Engine Stopped on Slope

If the engine stops when traveling uphill, move the travel levers to NEUTRAL position, lower the bucket to the ground, stop the machine, then start the engine again.

Cab Doors on Slope

- If the engine stops when the machine is on a slope, never use the left work equipment control lever to perform swing operations. The upper structure will swing under its own weight.
- Do not open or close the sliding door on slopes when traveling or operating. The operating effort may change suddenly.
Always keep the sliding door locked.
- Be extremely careful when opening or closing the sliding door when the machine is stopped on a slope. There is danger that the weight of the door may cause it to open or close suddenly.

ESCAPE FROM MUD

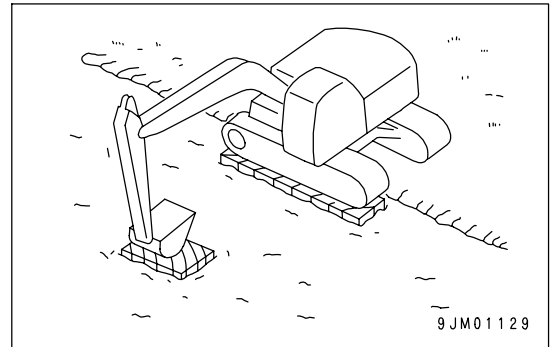
Always operate carefully to avoid getting stuck in mud. If the machine does get stuck in mud, do as follows to get the machine out.

Track on One Side Stuck

NOTICE

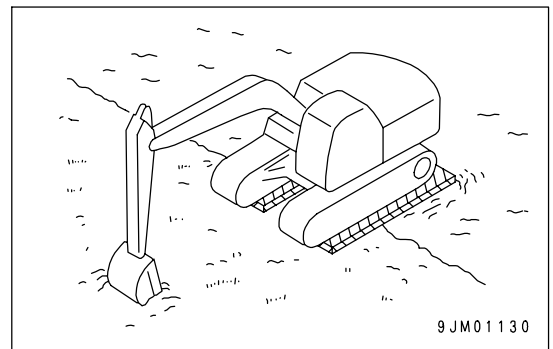
When using the boom or arm to raise the machine, always have the bottom of the bucket in contact with the ground. (Never push with the teeth). The angle between the boom and arm should be 90 deg. to 110 deg. The same applies when using the inverted bucket.

When only one side is stuck in mud, use the bucket to raise the track, then lay boards or logs and drive the machine out.



Tracks on Both Sides Stuck

If the track on both sides are in mud and the machine slips and cannot move, use the procedure given above to lay logs or timber. dig the bucket into the ground at the front, operate the arm in the same way as when digging, and set the travel lever to FORWARD to pull the machine out.



RECOMMENDED APPLICATIONS

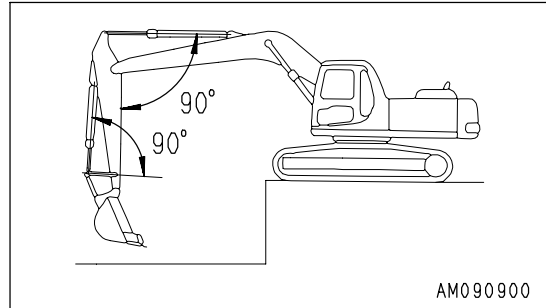
In addition to the following, it is possible to further increase the range of applications by using various attachments.

Backhoe Work

A backhoe is suitable for excavating at a position lower than the machine.

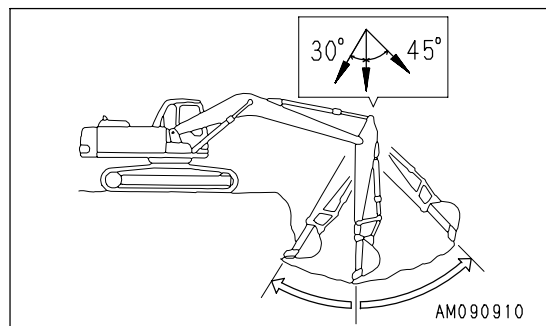
When the condition of the machine is as shown in the figure at right, each cylinder's maximum pushing excavation force is obtained when the bucket cylinder and link, arm cylinder and arm are at 90 deg.

When excavating, use this angle effectively to optimize your work efficiency.



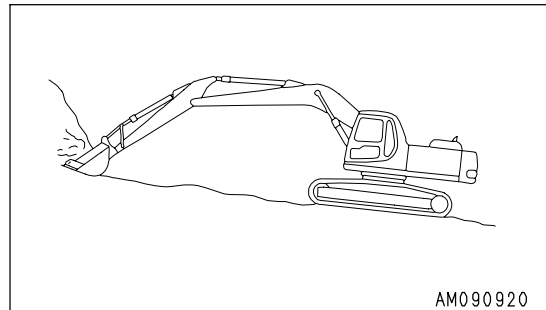
The range for excavating with the arm is from a 45 deg. angle away from the machine to a 30 deg. angle toward the machine.

There may be some differences depending on the digging depth, try to keep within the above range rather than operating to the end of the cylinder stroke.



Shovel Work

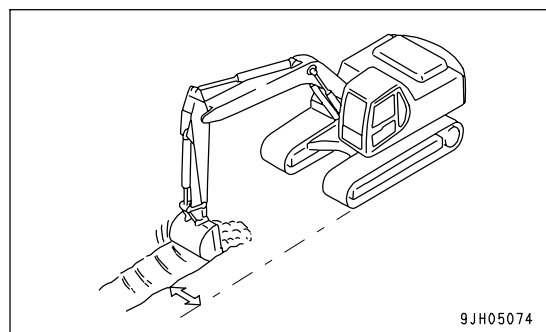
A shovel is suitable for excavating at a position higher than the machine. Shovel work is performed by attaching the bucket in the reverse direction.



Ditching Work

Ditching work can be performed efficiently by attaching a bucket which matches the digging operation and then setting the tracks parallel to the line of the ditch to be excavated.

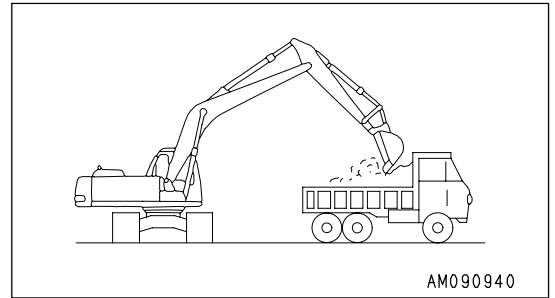
To excavate a wide ditch, first dig both sides and then finally remove the center portion.



Loading Work

In places where the swing angle is narrow, work efficiency can be enhanced by locating the dump truck in a place easily visible to the operator.

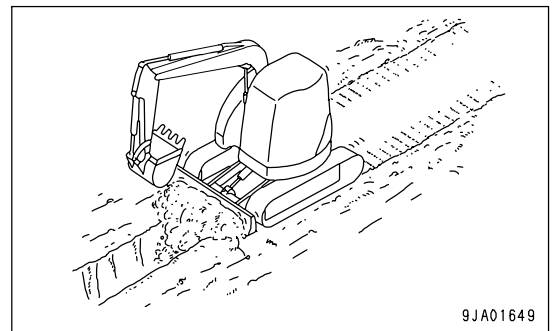
Loading dump trucks is easier and the loading capacity is greater if the hydraulic excavator loads from the rear of the dump truck rather than from the side.



Refill and Finishing Work

(Only machines with blade specification)

When refilling after excavation and when smoothing the ground surface, use the blade.



BUCKET REPLACEMENT AND INVERSION



WARNING

- When pins are knocked in with a hammer, pieces of metal may fly and cause serious injury. When performing this operation, always wear goggles, hard hat, gloves, and other protective equipment.
- When the bucket is removed, place it in a stable condition.
- If pins are hit with a strong force, there is a hazard that the pin may fly out and injure people in the surrounding area. Make sure that there is no one in the surrounding area before starting the operation.
- When removing the pins, do not stand behind the bucket. In addition, be extremely careful not to put your foot under the bucket while standing at the side for the work.
- When removing or inserting pins, be extremely careful not to get your fingers caught.
- Never insert your fingers into the pin holes when aligning the holes.

Stop the machine on a firm and flat surface and do the work. When performing joint work, appoint a lead and follow that person's instructions and signals.

Replacement

1. Place the bucket in contact with a flat surface.

REMARK

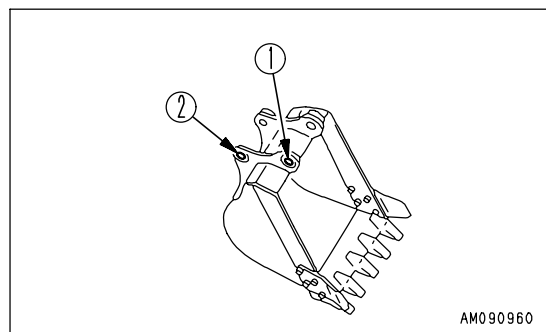
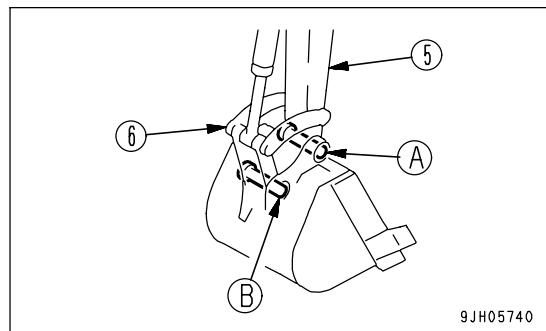
When removing the pins, place the bucket so that it is in light contact with the ground.

If the bucket is lowered strongly to the ground, the resistance will be increased and it will be difficult to remove the pins.

NOTICE

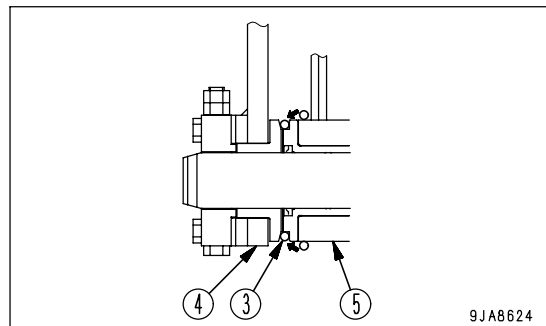
After removing the pins, make sure that mud or sand does not get on them. Dust seals are fitted at both ends of the bushings, be careful not to damage them.

2. Remove the double nut on the stopper bolt for arm pin (A) and link pin (B), remove the bolt, pull out arm pin (A) and link pin (B), and then remove the bucket.
3. Align the arm (5) with holes (1) of the replacement bucket and the link (6) with holes (2), then insert grease-coated pins (A) and (B) into hole (1) and hole (2) respectively.



REMARK

- Carry out installation in the reverse order to removal.
- When installing the bucket (4), the O-rings (3) are easily damaged, fit the O-rings (3) on the boss of the arm (5) end as shown in the figure. When knocking the pin, move the O-ring (3) down to the regular groove.

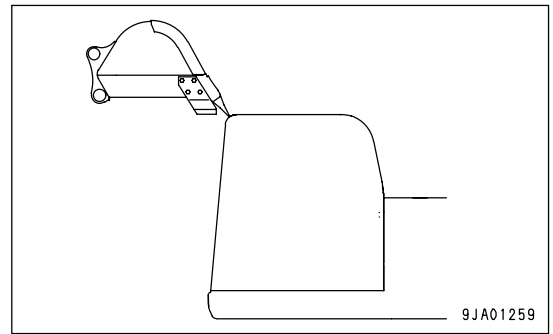


4. Install the stopper bolts and nuts for each pin, then grease the pin.

Inversion

 **WARNING**

When reversing a bucket, there is the danger that the bucket tooth tip overruns the normal trajectory and interferes with the cab, thus causing a serious trouble. Pay good attention to the work when reversing a bucket so that the bucket and the cab may not interfere with each other.

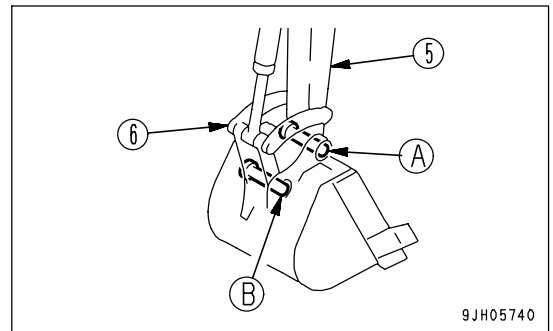


1. Place the bucket in contact with a flat surface.

REMARK

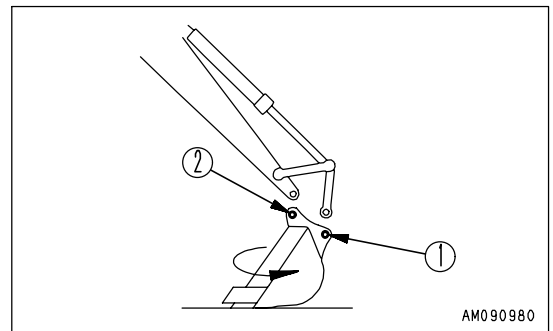
When removing the pins, place the bucket so that it is in light contact with the ground.

If the bucket is lowered strongly to the ground, the resistance will be increased and it will be difficult to remove the pins.

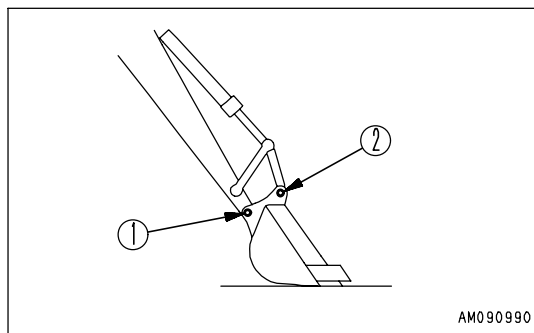
**NOTICE**

After removing the pins, make sure that mud or sand does not get on them. Dust seals are fitted at both ends of the bushings, be careful not to damage them.

2. Remove the double nut on the stopper bolt for arm pin (A) and link pin (B), remove the bolt, pull out arm pin (A) and link pin (B), and then remove the bucket.

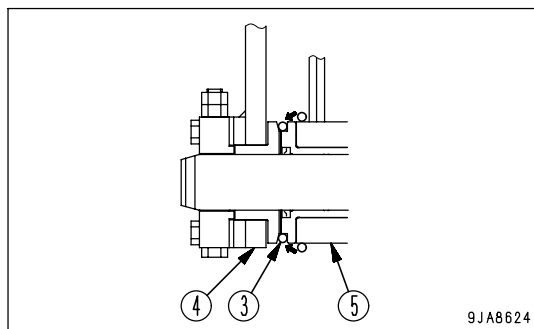


3. Turn the removed bucket. After turning the bucket, align the arm (5) with link (6) mounting hole (1), then align the link (6) with arm (5) mounting hole (2) and install.
4. Insert grease-coated pins (A) and (B) into hole (1) and hole (2) respectively.

**REMARK**

Install the O-ring (3) into retaining hole (1) of the arm (5) and bucket (4).

When installing the bucket (4), the O-rings (3) are easily damaged, so fit the O-rings (3) on the boss of the arm (5) end as shown in the figure on the right. When knocking in the pins, move the O-ring (3) down to the regular groove.

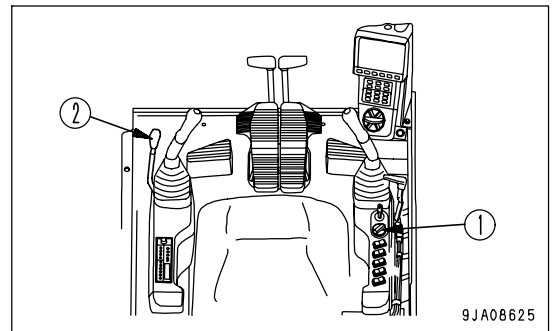
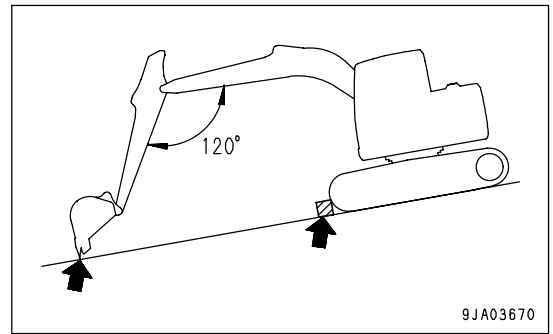


5. Install the stopper bolts and nuts for each pin, then grease the pin.

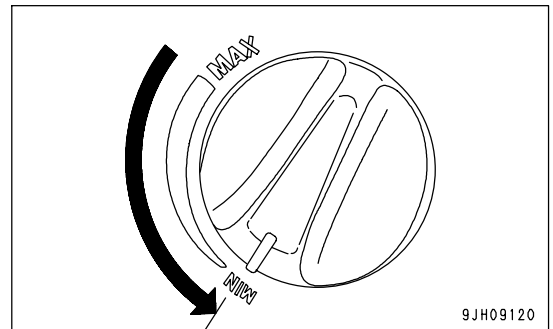
PARKING MACHINE

**WARNING**

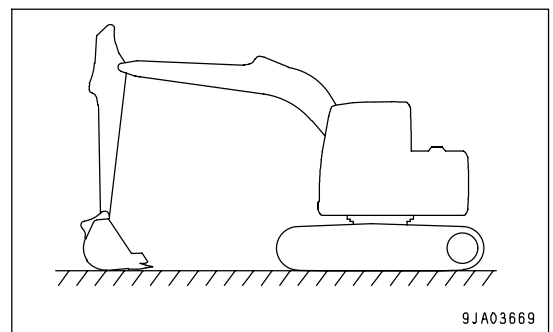
- Park the machine on the firm, level ground.
Avoid parking the machine on slopes.
If it is unavoidably necessary to park the machine on a slope, put blocks under the tracks and dig the work equipment into the ground surface to stop the machine from moving.
- If the control levers are touched by accident, the machine may move suddenly, and this may lead to a serious accident. Before standing up from the operator's seat, always set the lock lever securely to the LOCK position.
- Set the blade on the downhill side and lower it to the ground. (Blade specification only)



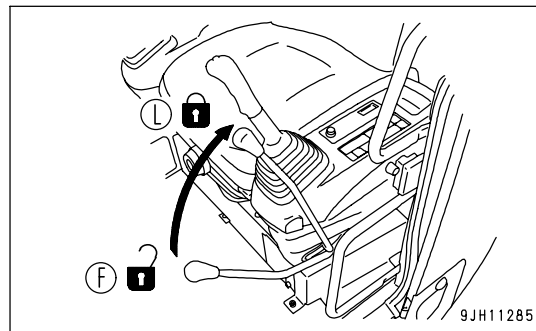
1. Stop the machine. For details, see "Stopping Machine (PAGE 3-157)".
2. Turn fuel control dial (1) to Low idle (MIN) position and lower the engine speed.



3. Lower the bucket horizontally until the bottom touches the ground.
4. Lower the blade to the ground. (Only machines with blade specification)



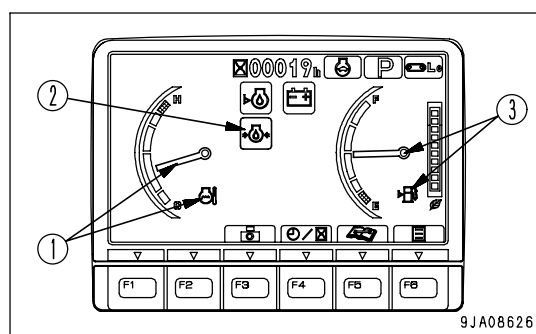
5. Set lock lever (2) to LOCK position (L) and stop the engine.
For details of the procedure for stopping the engine, see "STOPPING THE ENGINE (PAGE 3-153)".



MACHINE INSPECTION AFTER DAILY WORK

Before Stopping Engine

Use the machine monitor to check engine coolant temperature (1), engine oil pressure (2), and fuel level (3).



After Stopping Engine

1. Walk around the machine and check the work equipment, machine exterior, and undercarriage, also check for any leakage of oil or coolant. If any problems are found, repair them.
2. Fill the fuel tank.
3. Check the engine compartment for paper and debris. Clean out any paper and debris to avoid a fire hazard.
4. Remove any mud affixed to the undercarriage.

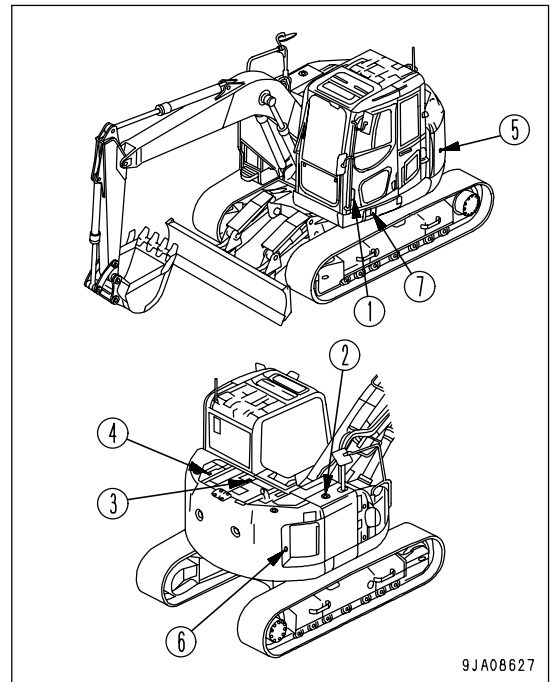
LOCKING

Always lock the following places.

- (1) Door of operator's cab
Always remember to close the window.
- (2) Fuel tank filler port
- (3) Engine hood
- (4) Cover at rear of cab
- (5) Battery room door
- (6) Pump room door
- (7) Door at front of tool box

REMARK

Use the starting switch key to lock and unlock all these places.



ROAD LINERS

(Machine equipped with road liner)

Road Liners Information

Road liner have excellent properties that are not found in steel shoes. However, if they are used in the same way as steel shoes, full use cannot be made of their advantages.

Be sure to operate without straining the rubber shoes in a way that matches the condition of the jobsite and the nature of the work.

Comparison of Road Liners and Metal Shoes

	Road liner	Steel shoe
Little vibration	◎	△
Smooth travel (No creaks)	○	○
Little noise	◎	△
No damage to paved surface	◎	△
Easily damage	○	◎
Strong drawber pull	◎	◎

◎: Excellent

○: Good

△: Average

Considering the properties of the material used, rubber shoes and road liners offer various advantages. However, their weak point is lack of strength. Therefore, it is important to understand the advantages of rubber shoes and road liners, and to follow the precautions regarding handling and prohibited work. This will extend the life of the rubbershoes and road liners and will enable the machine to display the advantages of rubber shoes and road liners to the maximum. Before using rubber shoes and road liner, always read "Using Road Liners (PAGE 3-181)".

Warranty for Road Liners

It is important to inspect and maintain the tracks at the correct tension. Furthermore, these shoes must not be used near objects where they are likely to suffer damage, such as the corners of steel plates, U-shaped ditch liners, blocks, on crushed rock or the sharp edges of rocks, iron beams, or scrap iron.

Any damage resulting from the customer's mistaken use of the machine shall not be included in the scope of the warranty.

Using Road Liners

Prohibited Works

Do not carry out the following types of work.

- Carrying out operations and steering on crushed rock, extremely rough hard rock, steel beams, scrap iron, or near the edges of steel plates will cause damage to the rubber shoes and road liners.
- In places such as river beds where there are large numbers of large and small boulders, the stones may get caught and damage the rubber shoes and road liners or make the shoes come off. If dozing operations are carried out when the shoes are slipping, this will reduce the life of the rubber shoes and road liner.
- Be careful not to get oil, fuel, or chemical solvent on the rubber shoes and road liners. If such a substance should get on the shoes, remove it immediately. Furthermore, do not travel on road surfaces where oil has collected.
- When putting the machine into long-term storage (3 months or more), store the machine indoors where it is protected from direct sunlight or rain.
- Do not use the machine in high-temperature areas, such as areas where there is burning wood, steel plates that have been left under the hot sun, or places where asphalt has been laid.
- When the rubber parts of the road liner are so worn or broken that the head of the mounting bolts are scratched, replace the shoe immediately. If the bolt heads are broken, the bolt cannot be removed.
- When installing road liners, always install them to all links on both sides. If they are installed to only one part of the links, their durability will be greatly reduced.

Long Life Operations

Be careful of the following points when carrying out work.

- Avoid carrying out counterrotation turns on concrete surfaces. There is danger that the concrete surface will scrape off the rubber from the shoe.
- Avoid making sudden changes in direction. This may cause premature wear or damage to the rubber shoes and road liners.
- Avoid operating the steering when traveling over places where there is a big difference in height. When traveling over obstacles or places where there is a difference in height, drive the machine at right angles to the obstacle to prevent the shoes from coming off.
- If the machine has been raised using the bucket, lower it slowly.
- Avoid doing work with materials that produce oil when crushed (soy beans, corn, or remains of vegetables squeezed for oil); or wash the machine after use.
- Avoid handling materials that will attack the adhesion of the steel core, such as salt, ammonium sulphate, potassium chloride, potassium sulphate, or calcium superphosphate; or wash the machine after use.
- The adhesion of the core will be attacked by salt, so avoid using the machine in coastal areas.
- When handling salt, sugar, wheat, or soy beans, if there is any deep cut in the rubber shoes and road liners, these substances may get into the lugs or cut portion of the rubber. Always repair the rubber before use.
- Do not carry out work that involves scraping against walls or concrete embankments.
- Road liners slip extremely easily on snow or frozen roads. Be careful not to slip when traveling or working on slopes.
- The properties of road liners change when working in extremely cold places, and this will reduce the life of the rubber shoes and road liners.
- Because of the properties of rubber, use the road liners within a range of -25°C to +65°C (-13°F to +149°F).
- When carrying out bucket operations, be careful not to damage the road liners with the bucket.

TRANSPORTATION

When transporting the machine, observe all related laws and regulations, and be careful to assure safety.

TRANSPORTATION PROCEDURE

Select the method of transportation to match the weight and dimensions given in "SPECIFICATIONS (PAGE 5-2)". Note that the weight and dimensions given in SPECIFICATIONS may differ according to the type of shoe or arm, or other attachments.

LOADING AND UNLOADING WITH TRAILER

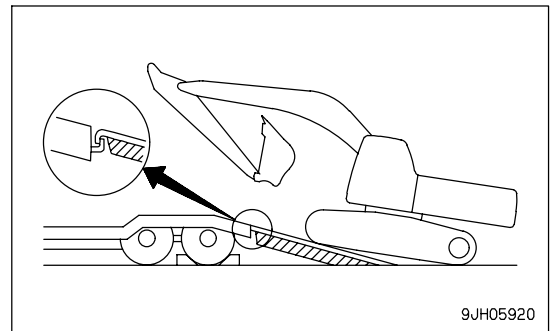
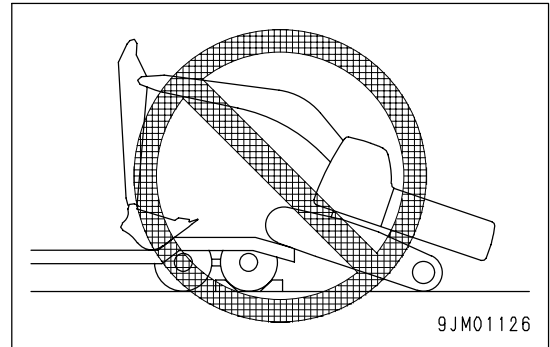
 **WARNING**

Always obey the following when loading or unloading the machine from a trailer.

- Select firm, level ground when loading or unloading the machine. Maintain a safe distance from the edge of the road.
- Always turn the auto-deceleration switch OFF (cancel). If the auto-deceleration switch is left ON, the machine may suddenly move.
- Always set the travel speed switch to Low idle (MIN), run the engine at low idle, and operate the machine slowly when loading or unloading.
- In cold areas, perform the warming-up operation thoroughly and make sure that the engine speed is stable before performing the loading or unloading operation.
- Never correct your steering on the ramps. There is danger that the machine may tip over. If necessary, drive off the ramps or back on to the trailer and correct the direction.
- It is dangerous to use the work equipment for loading and unloading operations. Always use ramps.
- When on the ramps, do not operate any lever except the travel lever.
- The center of gravity of the machine will change suddenly at the joint between the ramps and the trailer, and there is danger of the machine losing its balance. Travel slowly over this point.
- If it is necessary to swing the work equipment on the trailer platform, the footing is unstable, so be extremely careful that the machine does not tip over. If the work equipment is installed to the machine, pull the work equipment in, and operate slowly to prevent the machine from losing its balance.
- Position a flagman to give guidance to prevent the machine from coming off the ramps and to ensure safety in the operation.
- Always check that the sliding door of the cab is at LOCK position, regardless of whether the door is open or closed. If the door is opened or closed when the machine is on the ramps or on the trailer platform, there is danger that the operating effort for opening or closing the door may suddenly change.

Always observe the following precautions strictly for the ramps and trailer platform.

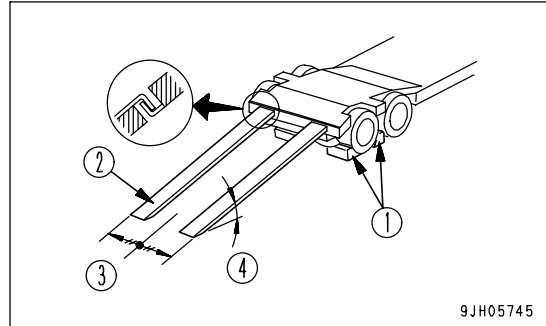
- Use ramps with ample width, length, thickness, and strength and install them securely at a maximum slope of 15 deg. When using piled soil, compact the piled soil fully and take action to prevent the slope face from collapsing.
- Remove all mud and dirt from the machine tracks and ramps before starting in order to prevent the machine from slipping on the ramps. Be sure that the ramp surface is clean and free of water, snow, grease, oil, or ice. These may cause the machine to slip.



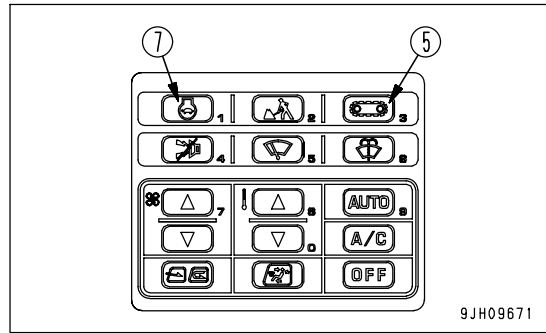
When loading or unloading, always use ramps or a platform. Proceed as follows.

Loading

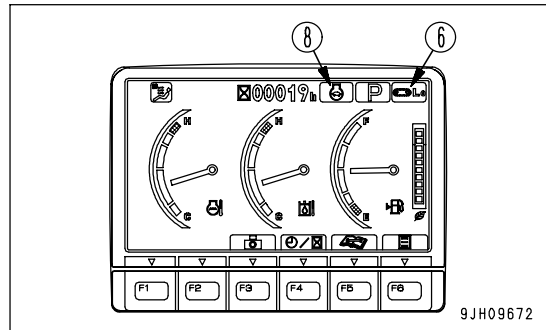
1. Load on firm level ground only.
 - Maintain a safe distance from the edge of a road.
2. Apply the trailer brakes securely, then put blocks (1) under the tires to prevent the trailer from moving.
 - Set left and right ramps (2) parallel to each other and equally spaced to the left and right of center (3) of the trailer. Make angle of installation (4) a maximum of 15 deg. If the ramps bend a large amount under the weight of the machine, put blocks under the ramps to prevent them from bending.



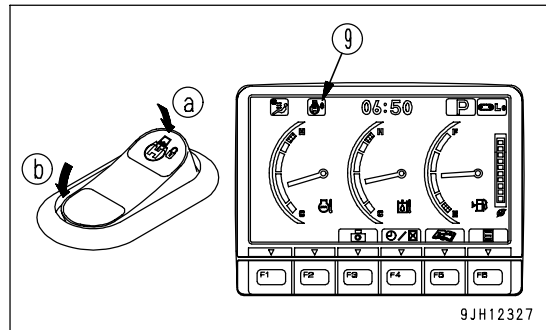
3. Turn the travel speed selector switch to low speed travel (Lo lamp lights up).
 - Press travel speed selector switch (5) to switch the travel speed. The travel speed (Lo, Hi) is displayed on the travel speed monitor (6).



4. Turn auto-deceleration switch (7) OFF and operate the fuel control dial to set the engine speed to Low idle (MIN).
 - Each time auto-deceleration switch (7) is pressed, it switches OFF → ON → OFF in turn.
 - When auto-deceleration switch (7) is turned OFF, the auto-deceleration monitor (8) goes out.



5. Turn the swing lock switch ON to apply the swing lock.
 - When the swing lock switch is turned to ON position, the swing lock monitor (9) lights up.
 - (a): ON position
 - (b): OFF position



6. If the machine is equipped with work equipment, set the work equipment at the front, and travel forward to load it; if it has no work equipment, travel in reverse to load it.

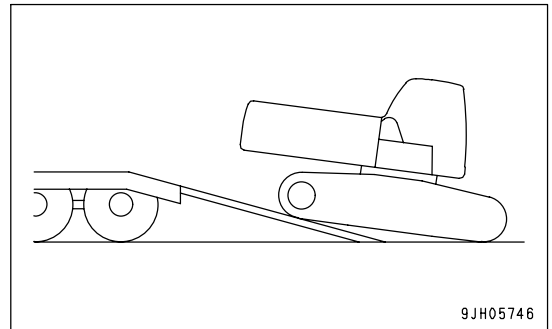
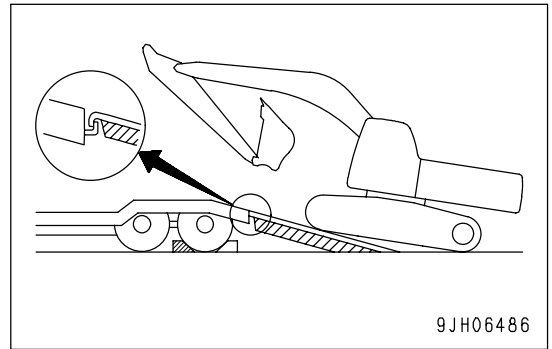
Follow instructions and signals of a conductor particularly when traveling in reverse.

7. Before moving onto the ramps, make sure that the machine is positioned in a straight line with the ramps and that the centerline of the machine matches that of the trailer.

Align the direction of travel with the ramps and travel slowly.

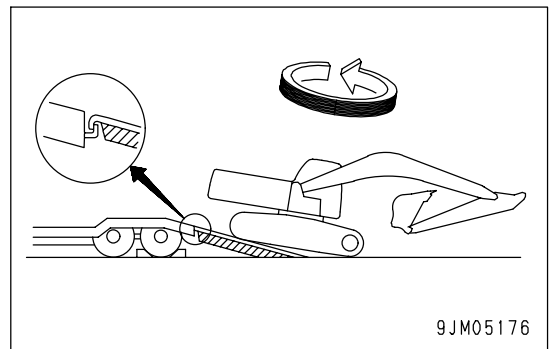
Lower the work equipment as far as possible without causing interference.

When on the ramps, operate only the travel lever. Do not operate any other lever.



8. When loading or unloading a machine with the work equipment installed, at the point where the tracks are on both the ramps and the ground surface, turn the swing lock switch OFF, then swing the upper structure slowly 180 deg.

After doing that, drive slowly in reverse and load the machine onto the trailer.

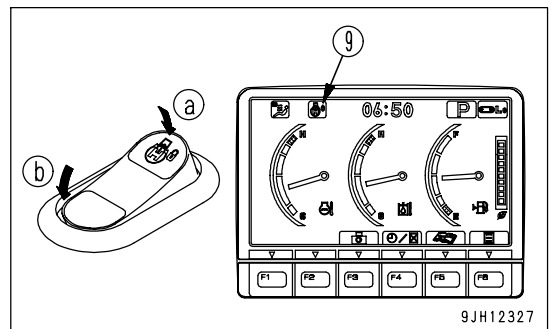


9. Turn the swing lock switch ON to apply the swing lock.

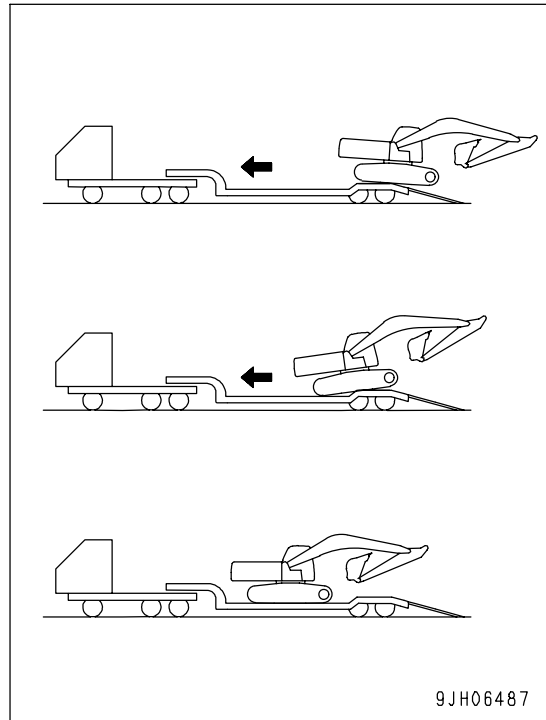
- When the swing lock switch is turned to ON position, pilot monitor display (9) lights up.

(a): ON position

(b): OFF position



10. When the machine travels over the rear wheels of the trailer, it becomes unstable, drive slowly and carefully. (Never operate the steering.)
11. At the moment the machine passes the rear wheels, it tilts forward, be careful not to let the work equipment hit the trailer body. Drive the machine forward to the specified position, then stop the machine.
12. Lower the work equipment on top of wooden blocks.



Securing Machine

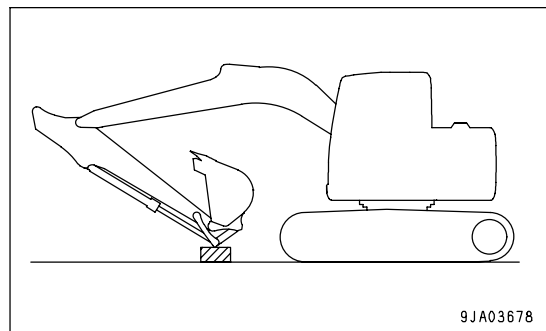
After placing the machine on the specified position of the trailer, secure it according to the following procedure.

NOTICE

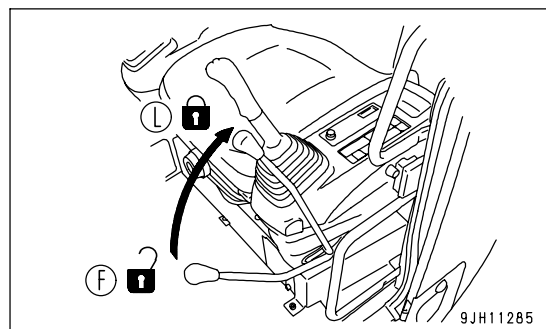
- Stow the radio antenna. Reassemble the mirrors so that they are within the width of the machine.
- To prevent damage to the bucket cylinder during transportation, put a wooden block under the tip of the bucket link to prevent the bucket cylinder from touching the floor.

Load the machine onto a trailer as follows:

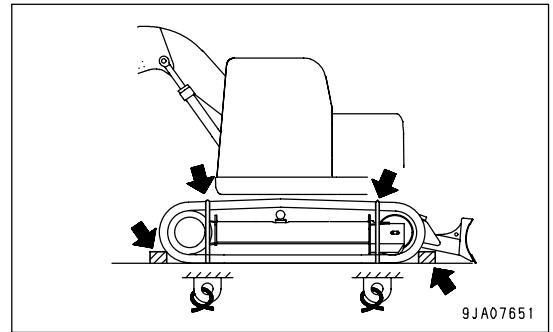
1. Lower the blade. (Only machines with blade specification)
2. Extend the bucket and arm cylinders fully, then lower the boom slowly.



3. Set the lock lever securely to LOCK position (L).
4. Stop the engine, then remove the key from the starting switch.
5. Close all doors, windows, and covers.
Lock the covers, caps, and doors fitted with locks.

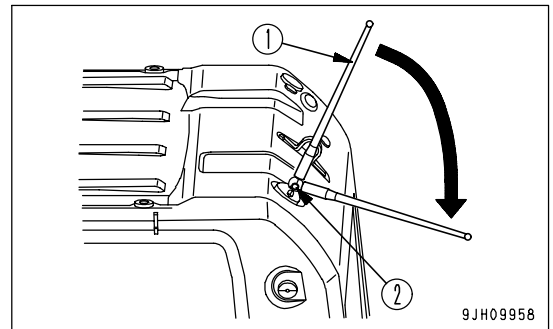


6. Place blocks under both ends of the tracks to prevent the machine from moving during transportation, and secure the machine with chains or wire rope of suitable strength. Be particularly careful to secure the machine in position so that it does not slip to the side. When securing the machine, put blocks between the wire rope and the machine to prevent damage to the rope or machine.



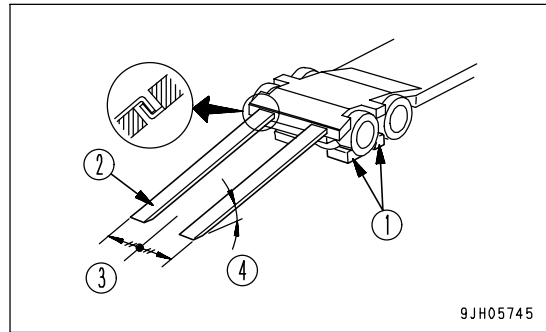
Stowing Radio Antenna

- Loosen bolt (2) of radio antenna (1) at the rear of the cab, lower the antenna, then tighten bolt (2) again to secure radio antenna (1) in position.
- When unloading the machine from the trailer and operating it, follow the opposite procedure from stowing to set radio antenna (1) vertical, then secure it in position with bolt (2).

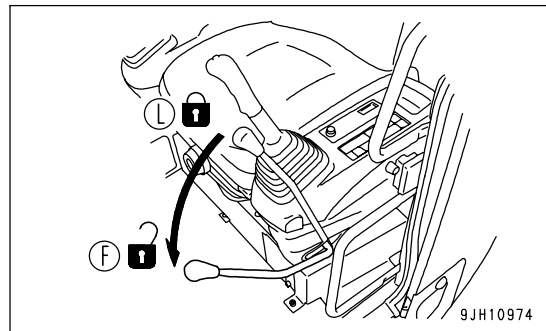


Unloading

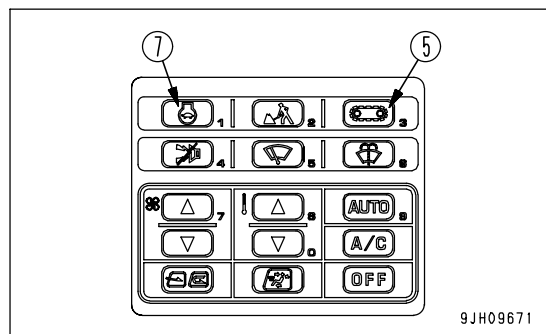
1. Unload on firm level ground only. Maintain a safe distance from the edge of a road.
2. Apply the trailer brakes securely, then put blocks (1) under the tires to prevent the trailer from moving.
 - Set left and right ramps (2) parallel to each other and equally spaced to the left and right of center (3) of the trailer. Make angle of installation (4) a maximum of 15 deg. If the ramps bend a large amount under the weight of the machine, put blocks under the ramps to prevent them from bending.



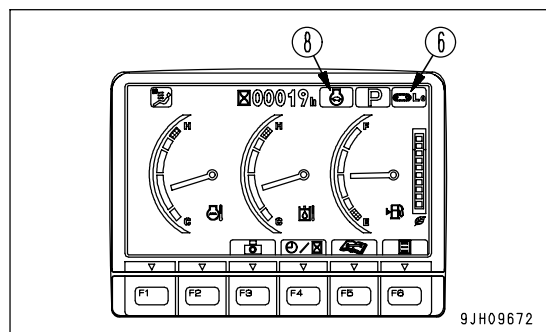
3. Remove the chains and wire ropes fastening the machine.
4. Start the engine.
 - Warm the engine up fully.
5. Set the lock lever to FREE position (F).



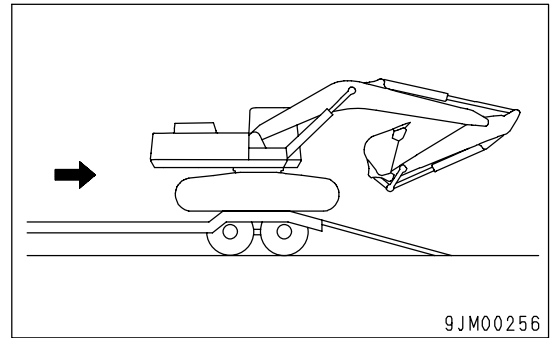
6. Turn the travel speed selector switch to low speed travel (Lo lamp lights up).
 - Press travel speed selector switch (5) to switch the travel speed. The travel speed (Lo, Hi) is displayed on the travel speed monitor (6).



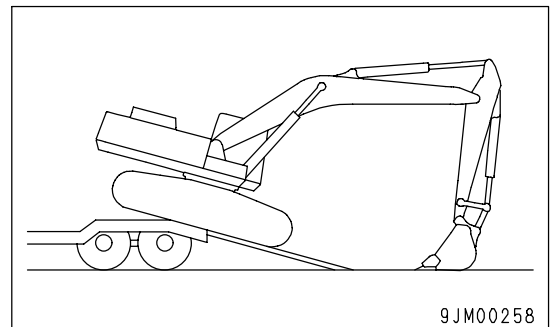
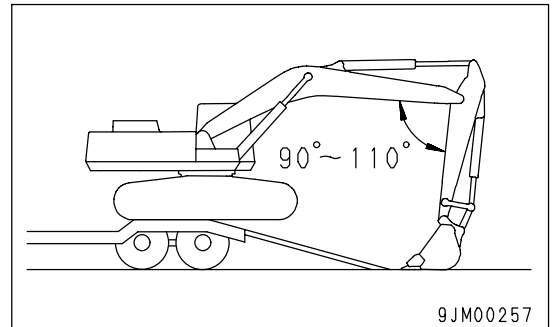
7. Turn auto-deceleration switch (7) OFF and operate the fuel control dial to set the engine speed to Low idle (MIN).
 - Each time auto-deceleration switch (7) is pressed, it switches OFF → ON → OFF in turn.
 - When auto-deceleration switch (7) is turned OFF, the auto-deceleration monitor (8) goes out.



8. Raise the work equipment, pull in the arm under the boom, then move the machine slowly.
9. When the machine is horizontal on top of the rear wheels of the trailer, stop the machine.

**NOTICE**

- When unloading the machine, always keep the arm and boom at an angle of 90 deg. to 110 deg.
If the machine is unloaded with the arm pulled in, it will cause damage to the machine.
 - When moving onto the ramps, do not thrust the bucket into the ground.
This will cause damage to the hydraulic cylinders.
10. When moving from the rear of the trailer on to the ramps, set the angle of the arm and boom to 90 deg. to 110 deg., lower the bucket to the ground, then move the machine slowly.
 11. When moving down the ramps, operate the boom and arm slowly to lower the machine carefully until it is completely off the ramps.



LIFTING MACHINE

**WARNING**

- The operator carrying out the lifting operation using a crane must be a properly qualified crane operator.
- Never raise the machine with any worker on it.
- Always make sure that the wire rope is of ample strength for the weight of this machine.
- When lifting, keep the machine horizontal.
- When carrying out lifting operations, set the lock lever to the LOCK position to prevent the machine from moving unexpectedly.
- Never go in the area under or around the machine when it is raised.
- There is a hazard that the machine may lose its balance.

Always use the posture given in the procedure below and use the proper lifting equipment to lift the machine.

NOTICE

This method of lifting applies to the standard specification machine.

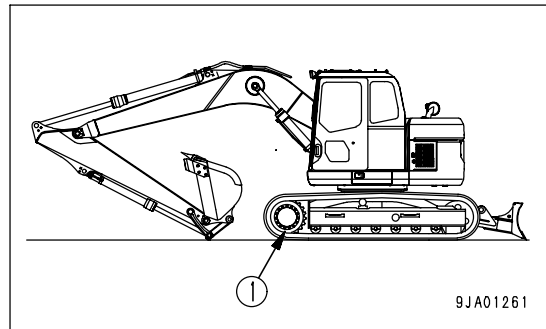
The method of lifting differs according to the attachments and options installed.

For details of the procedure for machines that are not the standard specification, consult your Komatsu distributor.

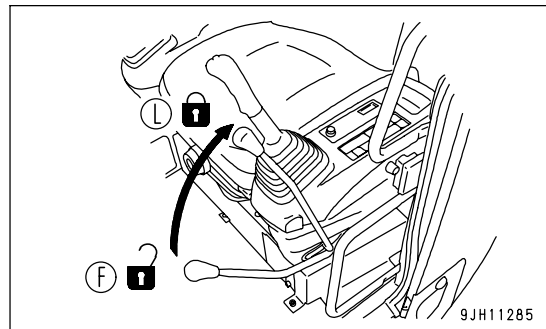
For weight, see "SPECIFICATIONS (PAGE 5-2)".

When lifting the machine, perform the operation on flat ground as follows.

1. With a machine of blade specifications, turn the upper structure so that the work equipment will be on the side of sprocket (1).
2. Extend the bucket cylinder and arm cylinder fully, then lower the work equipment to the ground as shown in the figure on the right using the boom cylinder.
3. Lower the blade to the ground. (Only machines with blade specification)

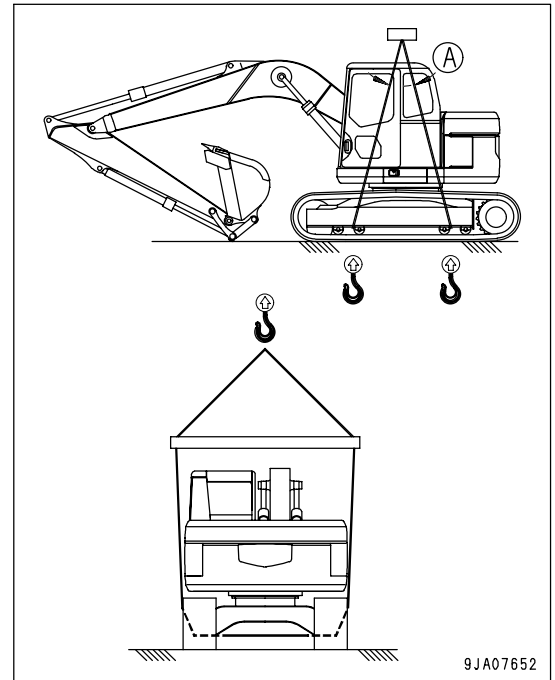


4. Set the lock lever securely to LOCK position (L).



5. Stop the engine, check that there is nothing around the operator's compartment, then get off the machine. Close the cab door and front glass securely.

6. Pass wire ropes between the 1st and 2nd track rollers from the front and between the 1st and 2nd track rollers from the rear.
7. Put blocks between the wire rope and the machine to prevent damage to the rope or machine.
8. Set the lifting angle (A) of the wire rope to 30 deg. to 40 deg., then lift the machine slowly.
9. After the machine comes off the ground, check the hook condition and the lifting posture, and then lift slowly.



COLD WEATHER OPERATION

COLD WEATHER OPERATION INFORMATION

If the temperature becomes low, it becomes difficult to start the engine, and the coolant may freeze, so do as follows.

Fuel and Lubricants

Change to fuel and oil with low viscosity for all components. For details of the specified viscosity, see "RECOMMENDED FUEL, COOLANT, AND LUBRICANT (PAGE 4-9)".

Cooling System Coolant



WARNING

- Coolant is toxic. Be careful not to get it into your eyes or on your skin. If it should get into your eyes or on your skin, wash it off with large amounts of fresh water and see a doctor at once.
- When changing the coolant or when handling the cooling water containing coolant that has been drained during repair of radiator, contact your Komatsu distributor or request a specialist company to perform the operation. Coolant is toxic. Do not let it flow into drainage ditches or spray it onto the ground surface.

NOTICE

Use Komatsu genuine SUPERCOOLANT (AF-NAC) for the coolant. As a basic rule, we do not recommend the use of any coolant other than SUPERCOOLANT (AF-NAC).

Coolant is already diluted with distilled water, so it is not flammable.

For details of the density of coolant and the interval for changing the coolant, see "CLEAN INSIDE OF COOLING SYSTEM (PAGE 4-22)".

Battery



WARNING

- The battery generates flammable gas. Do not bring open flame near the battery.
- Battery electrolyte is dangerous. If it gets in your eyes or on your skin, wash it off with a large amount of water and consult a doctor.
- Battery electrolyte dissolves paint. If it gets on the bodywork, wash it off immediately with water.
- If the battery electrolyte is frozen, do not charge the battery or start the engine with a different power source. There is danger that the battery may explode.
- Battery electrolyte is toxic. Do not let it flow into drainage ditches or spray it on to the ground surface.

When the ambient temperature drops, the capacity of the battery will also drop. If the battery charge ratio is low, the battery electrolyte may freeze. Maintain the battery charge as close as possible to 100%. Insulate it against cold temperature to ensure the machine can be started easily the next morning.

REMARK

Measure the specific gravity and calculate the charging rate from the following conversion table.

Charging Rate (%)	Electrolyte Temperature	20°C (68°F)	0°C (32°F)	-10°C (14°F)	-20°C (-4°F)
	100		1.28	1.29	1.30
90		1.26	1.27	1.28	1.29
80		1.24	1.25	1.26	1.27
75		1.23	1.24	1.25	1.26

- As the battery capacity drastically drops in low temperatures, cover or remove the battery from the machine, store the battery in a warm place, and install it again the next morning.
- If the electrolyte level is low, add distilled water in the morning before beginning work. Do not add water after the day's work to prevent diluted electrolyte in the battery from freezing during the night.

AFTER DAILY WORK COMPLETION



WARNING

Performing idle-running of the tracks is dangerous, stay well away from the tracks.

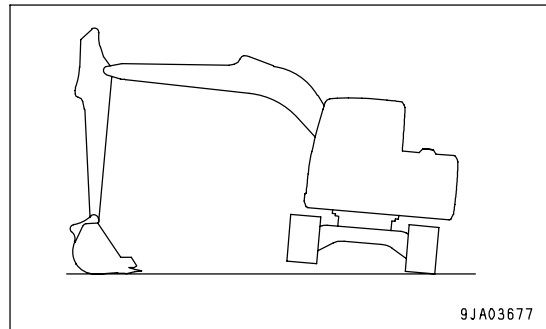
To prevent mud, water, or the undercarriage from freezing and making it impossible for the machine to move on the following morning, observe the following precautions.

- Remove all the mud and water from the machine. In particular, wipe the hydraulic cylinder rods clean to prevent damage to the seal caused by mud, dirt, or drops of water on the rod from getting inside the seal.
- Park the machine on hard, dry ground.

If this is impossible, park the machine on boards.

The boards prevent the tracks from freezing to the ground, and allow the machine to be moved the next morning.

- Open the drain valve and drain any water collected in the fuel system to prevent it from freezing.
 - Fill the fuel tank to capacity. This minimizes moisture condensation in the tank when the temperature drops.
 - After operation in water or mud, remove water from undercarriage as described below to extend undercarriage service life.
1. Swing 90 deg. with engine at Low idle (MIN) and bring the work equipment to the side of the track.
 2. Jack up the machine until the track is raised slightly from the ground. Rotate the track under no load. Repeat this procedure on both the left and right sides.



AFTER COLD WEATHER SEASON

When the season changes and the weather becomes warmer, do as follows.

- Replace the fuel and oil for all parts with oil of the viscosity specified.
For details, see "RECOMMENDED FUEL, COOLANT, AND LUBRICANT (PAGE 4-9)".

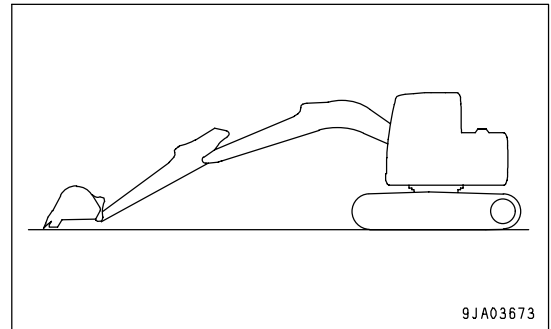
LONG TERM STORAGE

BEFORE STORAGE

NOTICE

To protect the hydraulic cylinder piston rod while in storage, keep the work equipment in the posture shown at right.

(This prevents rust from developing on the piston rod)



When keeping in long-term storage (more than 1 month), store as follows.

- Clean and wash all parts, then store the machine indoors. If the machine has to be stored outdoors, select level ground and cover the machine with a sheet.
- Completely fill the fuel tank. This prevents moisture from collecting.
- Lubricate and change the oil before storage.
- Coat the exposed portion of the hydraulic cylinder piston rod with grease.
- After turning the starting switch to OFF position, turn the battery disconnect switch key to OFF position and pull it out, then cover the battery to store it.
For handling of the battery disconnect switch, see "Battery Disconnect Switch (PAGE 6-13)" .
- Lock each control lever and pedal with the lock lever and lock cover.
- Set the stop valve to LOCK position on machines ready for attachments. Install the blind plugs to the elbows.
- Set the selector valve on the machines which can install attachments to the "Crusher or general attachment" position.
- To prevent rust, fill with coolant to give a density of at least 30% for the engine coolant.

DURING STORAGE



WARNING

If it is necessary to perform the rust-prevention operation while the machine is indoors, open the doors and windows to improve ventilation and prevent gas poisoning.

- During storage, operate and move the machine for a short distance once a month so that a new film of oil will coat moving parts. At the same time, also charge the battery.
- When operating the work equipment, wipe off all the grease from the hydraulic cylinder rods.
- If the machine is equipped with an air conditioner, operate the air conditioner for 3 to 5 minutes once a month to lubricate all parts of the air conditioner compressor. Always run the engine at Low idle (MIN) when doing this. In addition, check the refrigerant level twice a year.

AFTER STORAGE

NOTICE

If the machine has been stored without performing the monthly rust-prevention operation, consult your Komatsu distributor before using it.

When using the machine after long-term storage, do as follows before using it.

- Wipe off the grease from the hydraulic cylinder rods.
- Add oil and grease at all lubrication points.
- When the machine is stored for a long period, moisture in the air will mix with the oil. Check the oil before and after starting the engine. If there is water in the oil, change all the oil.
- Insert the battery disconnect switch key and turn it to ON position.
For the operation method, see "Battery Disconnect Switch (PAGE 6-13)".

STARTING MACHINE AFTER LONG-TERM STORAGE

When starting the engine after long-term storage, perform the warming-up operation thoroughly. For details, see "Engine Warm Up (PAGE 3-143)".

TROUBLES AND ACTIONS

RUNNING OUT OF FUEL

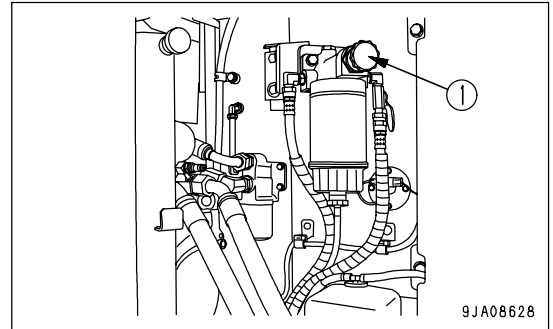
When starting the engine again after running out of fuel, fill with fuel, then bleed the air from the fuel system before starting the engine.

Procedure for Bleeding Air

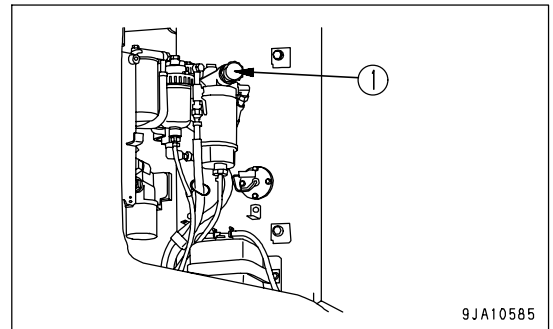
1. Loosen the knob of feed pump (1), pull it out, then pump it in and out until the movement becomes heavy.

REMARK

It is not necessary to remove the plug at the top of the fuel prefilter and fuel main filter.



(Machine of poor fuel arrangement specification)

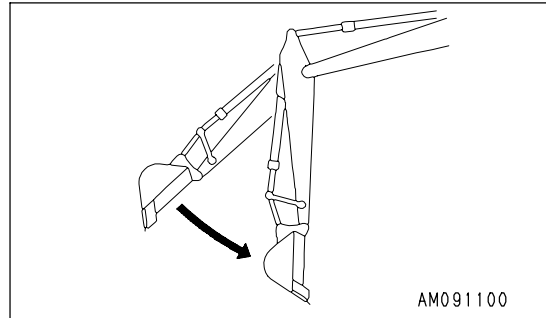


2. Push in the knob of feed pump (1) and tighten it.
3. Turn the key in the starting switch to START position and start the engine.
When doing this, do not crank the starting motor continuously for more than 20 seconds. If the engine does not start, wait for at least 2 minutes, then try again. Perform this operation a maximum of 4 times.

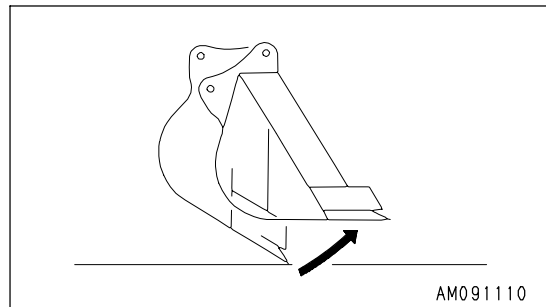
PHENOMENA THAT ARE NOT FAILURES

Note that the following phenomena are not failures:

- When the arm control lever is operated to IN position and the work equipment is lowered under no load from a high position, the arm speed will drop momentarily when the arm is more or less at the vertical position.



- When the bucket control lever is operated to CURL position and the work equipment is lowered under no load from a high position, the bucket speed will drop momentarily when the bucket teeth are more or less at the horizontal position.
- The bucket or arm will fluctuate by itself during heavy-duty digging operations.



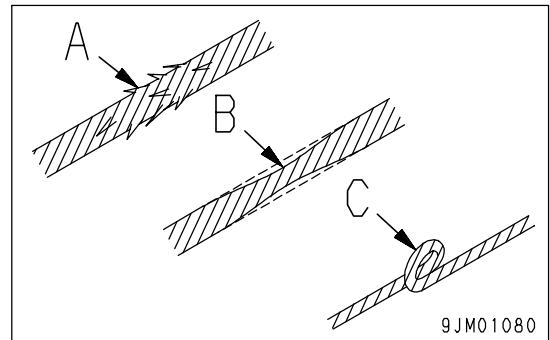
- When starting or stopping the swing, noise will be emitted from the brake valve.
- When going down a steep slope at low speed, a noise will be emitted from the travel motor brake valve.

TOWING THE MACHINE

 **WARNING**

Serious injury or death could result if a disabled machine is towed incorrectly or if there is a mistake in the selection or inspection of the wire rope.

- Always check that the wire rope used for towing has ample strength for the weight of the machine being towed.
- Never use a wire rope which has cut strands (A), reduced diameter (B), or kinks (C). There is danger that the rope may break during the towing operation.
- Always wear leather gloves when handling wire rope.
- Never tow a machine on a slope.
- During the towing operation, never stand between the towing machine and the machine being towed.
- Operate the machine slowly and be careful not to apply any sudden load to the wire rope.

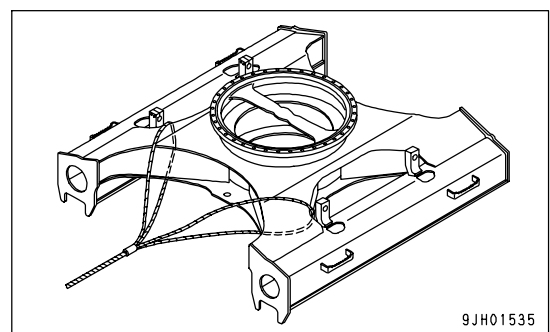
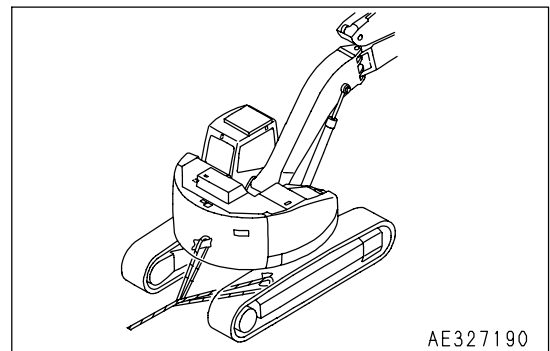
**NOTICE**

The maximum towing capacity for this machine is 9,710 kg (95,200 N).

Always carry out towing operations within the maximum towing capacity.

- If the machine sinks in mud and cannot get out under its own power, or if the drawbar pull of the excavator is being used to tow a heavy object, use a wire rope as shown in the figure on the right.
- Place pieces of wood between wire ropes and body to prevent damage to ropes and body.
- Hold the wire rope level and direct it straight to the track frame.
- When towing a machine, travel at a speed of less than 1 km/h (0.6 MPH) for a distance of only a few meters to a place that is suitable for performing repairs.

This is for use only in emergencies.



LIGHTWEIGHT TOWING HOOK

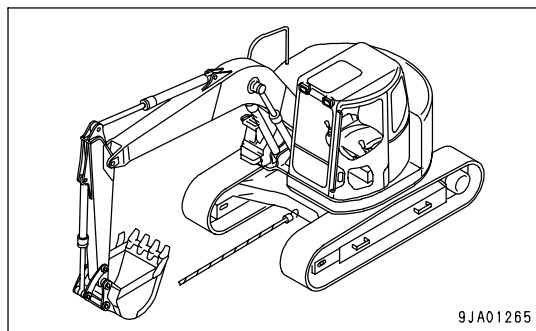


WARNING

- The shackle must always be used.
- Hold the wire rope level and direct it straight to the track frame.
- Move the machine slowly and be careful not to apply any sudden load to the wire rope.

There is a hole in the track frame to fit the shackle when towing light objects.

Permissible towing load: Max. 65,700 N (6,700 kg)



SEVERE JOB CONDITION

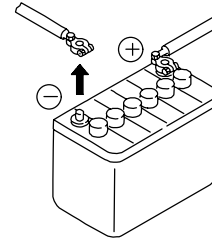
- When performing digging operations in water, if the work equipment mounting pin goes into the water, perform greasing every time the operation is performed.
- For heavy-duty operations and deep digging, perform greasing of the work equipment mounting pins every time before operation.
After greasing, operate the boom, arm and bucket several times, then grease again.

DISCHARGED BATTERY

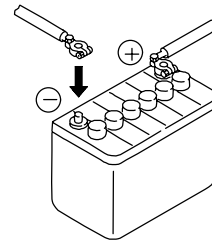
 **WARNING**

- It is dangerous to charge a battery installed on a machine. Make sure that it is removed before charging.
 - When checking or handling the battery, stop the engine and turn the starting switch key to OFF position.
 - The battery generates hydrogen gas, so there is a hazard of explosion. Do not bring lighted cigarettes near the battery, or do nothing that will cause sparks.
 - Battery electrolyte is dilute sulfuric acid, and it will attack your clothes and skin. If it gets on your clothes or on your skin, immediately wash it off with a large amount of water. If it gets in your eyes, wash it out with fresh water and consult a doctor.
 - When handling batteries, always wear protective eyeglasses and rubber gloves.
 - When removing the battery, first disconnect the cable from the ground (normally the negative (-) terminal). When installing, install the positive (+) terminal first.
- If a tool touches the positive (+) terminal and the chassis, there is danger that it will cause a spark, so be extremely careful.
- If the terminals are loose, there is danger that the defective contact may generate sparks that will cause an explosion. When installing the terminal, securely install it.
 - When removing or installing the terminals, check which is the positive (+) terminal and which is the negative (-) terminal.

When removing, disconnect the cable from the ground terminal first.



When installing, connect the cable to the positive (+) terminal first.

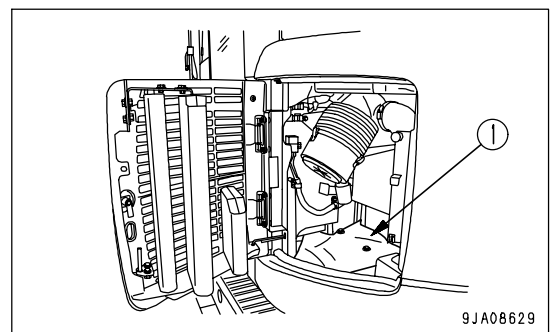


9EA00023

Battery Removal and Installation

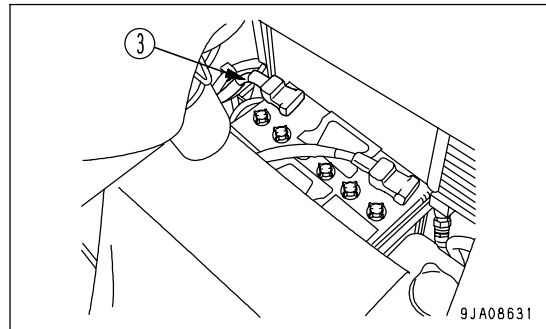
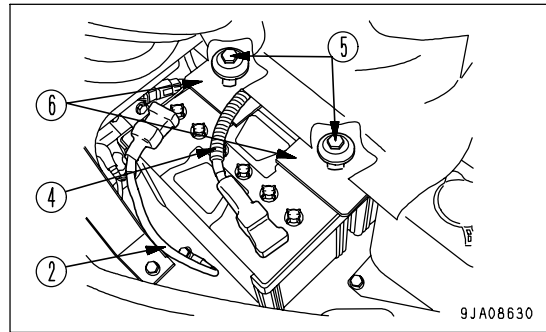
Removal of Battery

1. Open the battery room door, then move vinyl cover (1) (installed on top of the battery).



9JA08629

2. Remove cable (2) from the negative (-) terminal (ground).
3. Remove connection cable (4) and cable (3) from the positive (+) terminal.
4. Remove 2 mounting bolts (5), then remove mounting holder (6) and vinyl cover (1).
5. Pull the battery to the outside of the machine.



Installing of Battery

NOTICE

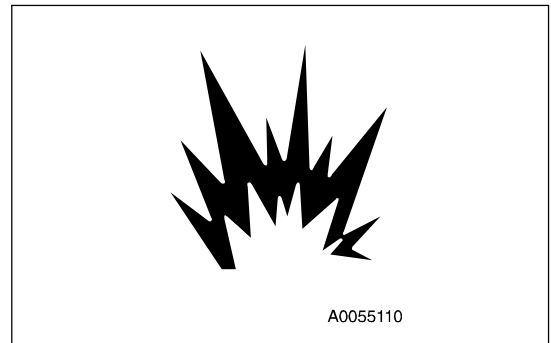
After securing the battery, check that it does not move. If it moves, tighten it again securely.

1. Place the battery in the specified position.
2. Fix the battery securely with mounting holder (6) and mounting bolts (5). When securing the battery in place, install vinyl cover (1).
Permissible tightening torque for mounting bolts: 9.8-19.6 Nm (1-2 kgm, 7.2-14.5 lbft)
3. Install cable (3) at the positive (+) terminal end.
4. Connect connection cable (4) from the (+) terminal.
5. Connect cable (2) to the negative (-) terminal end (ground).

Battery Charges

When charging the battery, if the battery is not handled correctly, there is a hazard that the battery may explode. Always follow the instructions of "DISCHARGED BATTERY (PAGE 3-201)" and the instruction manual accompanying the charger, and do as follows.

- Set the voltage of the charger to match the voltage of the battery to be charged. If the correct voltage is not selected, the charger may overheat and cause an explosion.
- Connect the positive (+) charger clip of the charger to the positive (+) terminal of the battery, then connect the negative (-) charger clip of the charger to the negative (-) terminal of the battery. Be sure to attach the clips securely.
- Set the charging current to 1/10 of the value of the rated battery capacity; when performing rapid charging, set it to less than the rated battery capacity.
If the charger current is too high, the electrolyte will leak or dry up, and this may cause the battery to catch fire and explode.
- If the battery electrolyte is frozen, do not charge the battery or start the engine with a different power source. There is a danger that this will ignite the battery electrolyte and cause the battery to explode.
- Do not use or charge the battery if the battery electrolyte level is below LOWER LEVEL line. This may cause an explosion. Check the battery electrolyte level periodically and add distilled water to bring the electrolyte level to UPPER LEVEL line.



Starting Engine with Booster Cables

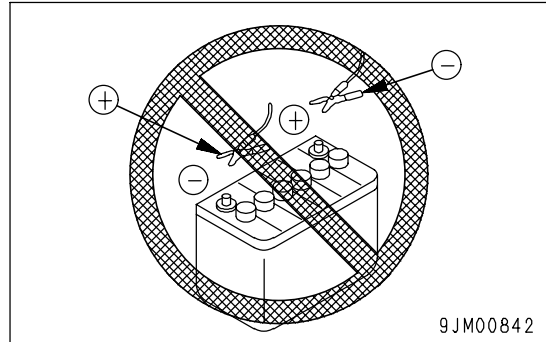
When starting the engine with a booster cable, do as follows.

Connecting and Disconnecting Booster Cables



WARNING

- When connecting the cables, never contact the positive (+) and negative (-) terminals.
- When starting the engine with a booster cable, always wear protective eyeglasses.
- Be careful not to let the normal machine and failed machine contact each other. This prevents sparks from generating near the battery which could ignite the hydrogen gas given off by the battery. If hydrogen gas explodes, it could cause serious injury.
- Be careful not to make a mistake when connecting a booster cable. In the last connection (to the upper structure frame), a spark will be caused, connect the cable to a spot as far away from the battery as possible. (Avoid the work equipment, however, because it is not a good conductor)
- When removing the booster cable, exercise good care so that the booster cable clips may not contact each other, or they contact the chassis.



NOTICE

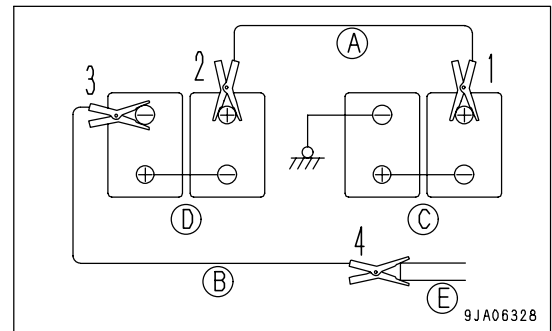
- The size of the booster cable and clip should be suitable for the battery size.
- The battery of the normal machine must be the same capacity as that of the engine to be started.
The starting system for this machine uses 24 V. For the normal machine, also use a 24 V battery.
- Check the cables and clips for damage or corrosion.
- Make sure that the cables and clips are firmly connected.
- Check that the lock levers of both machines are in the LOCK position.
- Check that each lever is in the NEUTRAL position.

Booster Cable Connection

Keep the starting switch of the normal machine and failed machine in OFF position.

Connect the booster cable as follows, in the order of the numbers marked in the figure.

1. Connect the clip of booster cable (A) to the positive (+) terminal of battery (C) on the failed machine.
2. Connect the clip at the other end of booster cable (A) to the positive (+) terminal of battery (D) on the normal machine.
3. Connect the clip of booster cable (B) to the negative (-) terminal of battery (D) on the normal machine.
4. Connect the other clip of booster cable (B) to the revolving frame (E) of the failed machine.



Starting the Engine



CAUTION

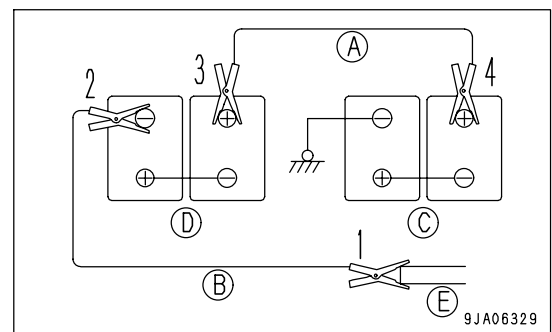
Always check that the lock lever is set to LOCK position, regardless of whether the machine is working normally or has failed. Check also that all the control levers are at HOLD or NEUTRAL position.

1. Make sure the clips are firmly connected to the battery terminals.
2. Start engine of the normal machine and run it at High idle (MAX).
3. Turn the starting switch of the failed machine to START position and start the engine.
If the engine doesn't start at first, try again after 2 minutes or so.

Booster Cable Disconnection

After the engine has started, disconnect the booster cables in the reverse of the order in which they were connected.

1. Remove the clip of booster cable (B) from the revolving frame (E) of the failed machine.
2. Remove the clip of booster cable (B) from the negative (-) terminal of battery (D) on the normal machine.
3. Remove the clip of booster cable (A) from the positive (+) terminal of battery (D) on the normal machine.
4. Remove the clip of booster cable (A) from the positive (+) terminal of battery (C) on the failed machine.



OTHER TROUBLE

Electrical System

- (): Always contact your Komatsu distributor when dealing with these items.
- In cases of problems or causes which are not listed below, ask your Komatsu distributor for repairs.

Problem	Main causes	Remedy
Lamp does not glow brightly even when the engine runs at high speed	<ul style="list-style-type: none"> • Defective wiring, deterioration of battery • Loose fan belt 	<ul style="list-style-type: none"> (• Check, repair loose terminals, disconnections, replace battery) (• Replace fan belt, Check tension)
Lamp flickers while engine is running		
Charge level monitor does not go out even when engine is running	<ul style="list-style-type: none"> • Defective alternator • Defective wiring 	<ul style="list-style-type: none"> (• Replace) (• Check, repair)
Abnormal noise is generated from alternator	<ul style="list-style-type: none"> • Defective alternator 	<ul style="list-style-type: none"> (• Replace)
Starting motor does not turn when starting switch is turned to ON	<ul style="list-style-type: none"> • Defective wiring • Defective starting motor • Insufficient battery charge 	<ul style="list-style-type: none"> (• Check, repair) (• Replace) • Charge
Pinion of starting motor keeps going and out	<ul style="list-style-type: none"> • Insufficient battery charge • Defective safety relay 	<ul style="list-style-type: none"> • Charge (• Replace)
Starting motor turns engine sluggishly	<ul style="list-style-type: none"> • Insufficient battery charge • Defective starting motor 	<ul style="list-style-type: none"> • Charge (• Replace)
Starting motor disengages before engine starts	<ul style="list-style-type: none"> • Defective wiring, defective ring gear pinion • Insufficient battery charge 	<ul style="list-style-type: none"> (• Check, repair) • Charge
Engine pre-heating monitor does not light	<ul style="list-style-type: none"> • Defective wiring • Defective heater relay • Defective monitor 	<ul style="list-style-type: none"> (• Check, repair) (• Replace) (• Replace)
Oil pressure monitor does not light up when engine is stopped (starting switch at ON position)	<ul style="list-style-type: none"> • Defective monitor • Defective caution lamp switch 	<ul style="list-style-type: none"> (• Replace) (• Replace)
Outside of electrical heater is not warm when touched by hand	<ul style="list-style-type: none"> • Defective wiring • Disconnection in electric heater • Defective operation of heater 	<ul style="list-style-type: none"> (• Check, repair) (• Replace) (• Replace)
Travel alarm does not sound when travel lever is operated	<ul style="list-style-type: none"> • Defective wiring • Defective alarm • Defective travel PPC pressure sensor 	<ul style="list-style-type: none"> (• Check for loose connector terminals or disconnection, repair) (• Replace) (• Replace)
Rear-view monitor does not show image	<ul style="list-style-type: none"> • Defective wiring • Defective camera • Defective monitor 	<ul style="list-style-type: none"> (• Check for loose, missing connectors or disconnection, repair) (• Replace) (• Replace)
Starting motor turns but engine does not start	<ul style="list-style-type: none"> • Defective engine controller power supply circuit • Defective relay • Defective connector at engine end 	<ul style="list-style-type: none"> (• Replace) (• Replace) (• Check for loose, missing connectors or disconnection, repair)

Chassis

- (): Always contact your Komatsu distributor when dealing with these items.
- In cases of problems or causes which are not listed below, ask your Komatsu distributor for repairs.

Problem	Main causes	Remedy
Speed of travel, swing, boom, arm, bucket is slow	• Lack of hydraulic oil	• Add oil to specified level, see CHECK BEFORE STARTING
Pump generates abnormal noise (sucking in air)	• Clogged element in hydraulic tank strainer, lack of oil	• Clean, see EVERY 2000 HOURS SERVICE
Excessive rise in hydraulic oil temperature	• Loose fan belt • Dirty oil cooler • Lack of hydraulic oil	(• Check fan belt tension, replace) • Clean, see EVERY 500 HOURS SERVICE • Add oil to specified level, see CHECK BEFORE STARTING
Track comes off	• Track too loose	• Adjust track tension, see WHEN REQUIRED
Abnormal wear of sprocket		
Boom rises slowly, does not rise	• Lack of hydraulic oil	• Add oil to specified level, CHECK BEFORE STARTING
Does not swing	• Swing lock switch still applied	• Turn swing lock switch OFF

Engine

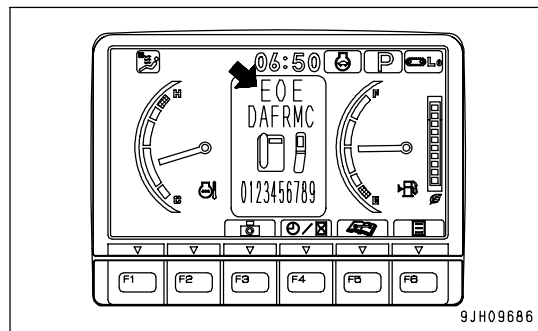
- (): Always contact your Komatsu distributor when dealing with these items.
- In cases of problems or causes which are not listed below, ask your Komatsu distributor for repairs.

Problem	Main causes	Remedy
Engine oil pressure monitor lights up	<ul style="list-style-type: none"> • Oil level low in oil pan (sucking air in) • Clogging oil filter cartridge • Defective tightening of oil pipe, pipe joint, oil leakage from damaged point • Defective engine oil pressure sensor • Defective monitor 	<ul style="list-style-type: none"> • Add oil to specified level, see CHECK BEFORE STARTING • Replace cartridge, see EVERY 500 HOURS SERVICE (• Check, repair) (• Replace sensor) (• Replace monitor)
Steam spurts out from top of radiator (pressure valve)	<ul style="list-style-type: none"> • Coolant level low, leakage of water • Loose fan belt • Dirt scale accumulated in cooling system 	<ul style="list-style-type: none"> • Check, add coolant, repair, see CHECK BEFORE STARTING • Adjust fan belt tension, see EVERY 500 HOURS SERVICE • Change coolant, flush inside of cooling system, see WHEN REQUIRED
Engine water temperature gauge indicator is in red range	<ul style="list-style-type: none"> • Clogging radiator fins or damages fins • Defective thermostat • Loose radiator filler cap (high altitude operations) • Defective monitor 	<ul style="list-style-type: none"> • Clean or repair, see EVERY 500 HOURS SERVICE (• Replace thermostat) • Tightening cap or replace packing (• Replace monitor)
Engine dose not start when starting motor is turned	<ul style="list-style-type: none"> • Lack of fuel • Air in fuel system • Defective fuel injection pump or defective nozzle • Starting motor cranks engine sluggishly • Pre-heating monitor dose not light up • Defective compression (• Defective valve clearance) 	<ul style="list-style-type: none"> • Add fuel, see CHECK BEFORE STARTING • Repair place where air in sucked in, see EVERY 500 HOURS SERVICE (• Replace pump or nozzle) • See ELECTRICAL SYSTEM • See ELECTRICAL SYSTEM (• Adjust valve clearance)
Exhaust gas is white or blue	<ul style="list-style-type: none"> • Too mach oil in oil pan • Improper fuel 	<ul style="list-style-type: none"> • Add oil to specified level, see CHECK BEFORE STARTING • Change to specified fuel
Exhaust gas sometimes becomes black	<ul style="list-style-type: none"> • Clogging air cleaner element • Defective nozzle • Defective compression • Defective turbocharger 	<ul style="list-style-type: none"> • Clean or replace, see WHEN REQUIRED (• Replace nozzle) (• See "Defective compression") (• Clean or replace turbocharger)
Combustion noise occasionally make breathing sound	<ul style="list-style-type: none"> • Defective nozzle 	<ul style="list-style-type: none"> (• Replace nozzle)

Problem	Main causes	Remedy
Abnormal noise generated (combustion or mechanical)	<ul style="list-style-type: none">• Low grade fuel being used• Overheating • Damage inside muffler• Excessive valve clearance	<ul style="list-style-type: none">• Change to specified fuel• See "Engine water temperature gauge indicator is in red range" above (<ul style="list-style-type: none">• Replace muffler)(• Adjust valve clearance)
Engine stops while in work	<ul style="list-style-type: none">• Clogged prefilter, main filter• Defective engine and fuel line	<ul style="list-style-type: none">• Replace filter cartridge (<ul style="list-style-type: none">• Check, repair)

Electronic Control System

When the user code is shown on the display portion of the machine monitor, take the respective measures shown in the self-diagnosis chart below.



Machine Monitoring System

Monitor display	Failure mode	Action
E02	Pump control system error	When emergency pump drive switch is at the up (emergency) position, normal operations become possible, but have inspection carried out immediately. (*)
E03	Swing brake system error	Have inspection carried out immediately.
E10	Engine controller power source error Engine controller drive system circuit error (engine stopped)	Have inspection carried out immediately.
E11	Engine controller system error Output reduced to protect engine	Operate machine to a safe posture and have inspection carried out immediately.
E14	Abnormality in throttle system	Operate machine to a safe posture and have inspection carried out immediately.
E15	Engine sensor (coolant temperature, fuel pressure, oil pressure) system error	Operations are possible, but have inspection carried out immediately.
E0E	Network error	Operate machine to a safe posture and have inspection carried out immediately.

(*): For details of handling the emergency pump drive switch, see "Emergency Pump Drive Switch (PAGE 3-71)".

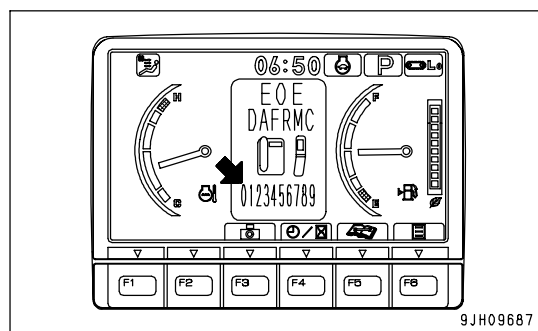
Point of Contact to Telephone when Error Occurs

If an error screen is displayed on the monitor, the telephone number for the point of contact is displayed at the bottom of the error screen.

REMARK

If no point of contact telephone number has been registered, no telephone number is displayed.

It is necessary to register the telephone number, Ask your Komatsu distributor to perform the registration.



MAINTENANCE

 **WARNING**

Please read and make sure that you understand the SAFETY section before reading this section.

MAINTENANCE INFORMATION

Do not perform any inspection and maintenance operation that is not found in this manual.

Service Meter Reading

Check the service meter reading every day to see if the time has come for any necessary maintenance to be performed.

Komatsu Genuine Replacement Parts

Use Komatsu genuine parts specified in the Parts Book as replacement parts.

Komatsu Genuine Lubricants

For lubrication of the machine, use the Komatsu genuine lubricants. Moreover use oil of the specified viscosity according to the ambient temperature.

Windshield Washer Fluid

Use automobile window washer fluid, and be careful not to let any dirt get into it.

Fresh and Clean Lubricants

Use clean oil and grease. Also, keep the containers of the oil and grease clean. Keep foreign materials away from oil and grease.

Check Drained Oil and Used Filter

After oil is changed or filters are replaced, check the old oil and filters for metal particles and foreign materials. If large quantity of metal particles or foreign materials are found, always report to the person in charge, and perform suitable action.

Fuel Strainer

Do not remove the strainer from the filler port when adding fuel.

Welding Instructions

- Cut off power. Wait for approximately 1 minute after turning off the engine starting switch key, and then disconnect the negative (-) terminal of the battery.
- Do not apply more than 200 V continuously.
- Connect grounding cable within 1 m (3.3 ft) of the area to be welded. If grounding cable is connected near instruments, connectors, etc., the instruments may malfunction.
- If a seal or bearing happens to come between the part being welded and grounding point, change the grounding point to avoid such parts.
- Do not use the area around the work equipment pins or the hydraulic cylinders as the grounding point.

Do not Drop Things Inside Machine

- When opening inspection windows or the oil filler port of the tank to perform inspection, be careful not to drop nuts, bolts, or tools inside the machine.
If such things are dropped inside the machine, it may cause damage and/or malfunction of the machine, and will lead to failure. If you drop anything inside the machine, always remove it immediately.
- Do not put unnecessary things in your pockets. Carry only things which are necessary for inspection.

Dusty Jobsite

When working at dusty worksites, do as follows:

- Inspect the dust indicator frequently to see if the air cleaner is dirty or clogged.
- Clean the radiator core frequently to avoid clogging.
- Clean and replace the fuel filter frequently.
- Clean electrical components, especially the starting motor and alternator, to avoid accumulation of dust.
- When inspecting or changing the oil, move the machine to a place that is free of dust to prevent dirt from getting into the oil.

Avoid Mixing Lubricants

If a different brand or grade of oil has to be added, drain the old oil and replace all the oil with the new brand or grade of oil. Never mix different brand or grade of oil.

Locking the Inspection Covers

Lock inspection cover securely into position with the lock bar. If inspection or maintenance is performed with inspection cover not locked in position, there is a danger that it may be suddenly blow shut by the wind and cause injury to the worker.

Hydraulic System - Air Bleeding

When hydraulic equipment has been repaired or replaced, or the hydraulic piping has been removed and installed again, the air must be bled from the circuit. For details, see "BLEEDING AIR FROM HYDRAULIC SYSTEM (PAGE 4-43)".

Hydraulic Hose Installation

- When removing parts at locations where there are O-rings or gasket seals, clean the mounting surface, and replace with new parts.
When doing this, be careful not to forget to assemble the O-rings and gaskets.
- When installing the hoses, do not twist them or bend them sharply. If they are installed so, their service life will be shortened extremely and they may be damaged.

Checks After Inspection and Maintenance Works

If you forget to perform the checks after inspection and maintenance, unexpected problems may occur, and this may lead to serious injury or death. Always observe the following:

- Checks after operation (with engine stopped)
 - Have any inspection and maintenance points been forgotten?
 - Have all inspection and maintenance items been performed correctly?
 - Have any tools or parts been dropped inside the machine? It is particularly dangerous if parts are dropped inside the machine and get caught in the lever linkage mechanism.
 - Are there any leakage of coolant or oil? Have all nuts and bolts been tightened?
- Checks when operating engine
 - For details of the checks when operating the engine, see "2 WORKERS FOR MAINTENANCE WHEN ENGINE IS RUNNING (PAGE 2-40)" and pay careful attention to safety.
 - Are the inspection and maintenance items working properly?
 - Is there any leakage of fuel or oil when the engine speed is raised?

OUTLINE OF SERVICE

- Always use Komatsu genuine parts for replacement parts, grease or oil.
- When changing the oil or adding oil, do not mix different types of oil. When changing the type of oil, drain all the old oil and fill completely with the new oil. Always replace the filter at the same time. (There is no problem if the small amount of oil remaining in the piping mixes with the new oil.)
- Unless otherwise specified, when the machine is shipped from the factory, it is filled with the oil and coolant listed in the table below.

Item	Type
Engine oil pan	Engine oil EO15W40DH (Komatsu genuine parts)
Damper case	Powertrain oil TO30 (Komatsu genuine parts)
Swing machinery case	
Final drive case	
Hydraulic oil system	Powertrain oil TO10 (Komatsu genuine parts)
Radiator	Supercoolant (AF-NAC) (Komatsu genuine parts) (density: 30% or above)

HANDLING OIL, FUEL, COOLANT, AND PERFORMING OIL CLINIC

OIL

- Oil is used in the engine and hydraulic equipment under extremely severe conditions (high temperature, high pressure), and deteriorates with use.
Always use oil that matches the grade and maximum and minimum ambient temperatures recommended in the Operation and Maintenance Manual. Even if the oil is not dirty, always change the oil at the specified interval.
- Oil corresponds to blood in the human body, always be careful when handling it to prevent any impurities (water, metal particles, dirt, etc.) from getting in.
The majority of problems with the machine are caused by the entry of such impurities.
Take particular care not to let any impurities get in when storing or adding oil.
- Never mix oils of different grades or brands.
- Always add the specified capacity of oil.
Having too much oil or too little oil are both causes of problems.
- If the oil in the work equipment is not clear, there is probably water or air getting into the circuit. In such cases, consult your Komatsu distributor.
- When changing the oil, always replace the related filters at the same time.
- We recommend you have an analysis made of the oil periodically to check the condition of the machine. For those who wish to use this service, consult your Komatsu distributor.
- When using commercially available oil, it may be necessary to reduce the oil change interval.
We recommend that you use the Komatsu oil clinic to perform a detailed checks of the characteristics of the oil.

FUEL

- To prevent the moisture in the air from condensing and forming water inside the fuel tank, always fill the fuel tank after completing the day's work.
- The fuel pump is a precision instrument, and if fuel containing water or dirt is used, it cannot work properly.
- Be extremely careful not to let impurities get in when storing or adding fuel.
- Always use the fuel specified for the temperature in the Operation and Maintenance Manual.
 - If the fuel is used at temperatures lower than the specified temperature (particularly at temperatures below -15 °C (5°F), the fuel will solidify.
 - If the fuel is used at temperatures higher than the specified temperature, the viscosity will drop, and this may result in problems such as a drop in output.
- Before starting the engine, or when 10 minutes have passed after adding fuel, drain the sediment and water from the fuel tank.
- If the engine runs out of fuel, or if the filters have been replaced, it is necessary to bleed the air from the circuit.
- If there is any foreign material in the fuel tank, wash the tank and fuel system.

NOTICE

Always use diesel oil for the fuel.

To ensure good fuel consumption characteristics and exhaust gas characteristics, the engine mounted on this machine uses an electronically controlled high-pressure fuel injection device. This device requires high precision parts and lubrication, so if low viscosity fuel with low lubricating ability is used, the durability may drop markedly.

The ASTM diesel fuel recommended by Komatsu may contain 5% or less of biofuel. The EN diesel fuel may contain 7% or less of it. Use the fuel which is filled into the storage tank or the fuel tank of the machine as soon as possible.

COOLANT AND WATER FOR DILUTION

- Komatsu genuine SUPERCOOLANT (AF-NAC) has the important function of preventing corrosion as well as preventing freezing.

Even in the areas where freezing is not an issue, the use of antifreeze coolant is essential.

Komatsu machines are supplied with Komatsu SUPERCOOLANT (AF-NAC). SUPERCOOLANT (AF-NAC) has excellent anticorrosion, antifreeze and cooling properties and can be used continuously for 2 years or 4000 hours. As a basic rule, we do not recommend the use of any coolant other than SUPERCOOLANT (AF-NAC). If you use another coolant, it may cause serious problems, such as corrosion of the engine and aluminum parts of the cooling system.

- When using antifreeze, always observe the precautions given in the Operation and Maintenance Manual.
- Coolant is already diluted with distilled water, so it is not flammable.
- The density used for the coolant differs according to the ambient temperature.

For details of the density of the coolant, see "CLEAN INSIDE OF COOLING SYSTEM (PAGE 4-22)".

Even in the areas where it is not considered necessary to prevent freezing, always use coolant with a density of over 30% in order to prevent corrosion of the cooling system.

Coolant is diluted with distilled water that does not contain any ions or water-hardening substances. Never dilute the coolant with ordinary water.

- If the engine overheats, wait for the engine to cool before adding coolant.
- If the coolant level is low, it will cause overheating, and will also cause problems with corrosion due to air entering the coolant.

GREASE

- Grease is used to prevent seizure and noises at the joints.
- This construction equipment is used under heavy-duty conditions. Always use the recommended grease and follow the change intervals and recommended ambient temperatures given in this Operation and Maintenance Manual.
- Grease fittings not included in the maintenance section are grease fittings for overhaul, so they do not need grease.
If any part becomes stiff after being used for long time, add grease.
- Always wipe off all of the old grease that is pushed out when greasing.
Be particularly careful to wipe off the old grease in places where sand or dirt sticking in the grease would cause wear of the rotating parts.

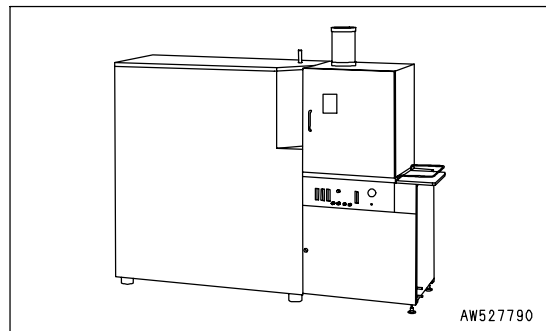
PERFORMING KOWA (Komatsu Oil Wear Analysis)

KOWA is a maintenance service that makes it possible to prevent machine failures and downtime. With KOWA, the oil is periodically sampled and analyzed. This enables early detection of wear of the machine drive parts and other problems.

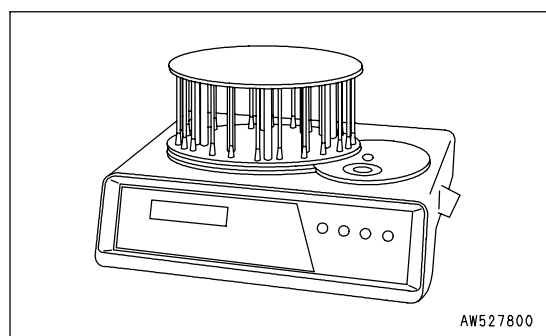
We strongly recommend you to use this service. The oil analysis is performed at actual cost, so the cost is low, and the results of the analysis are reported together with recommendations which will reduce repair costs and machine downtime.

KOWA ANALYSIS ITEMS

- Measurement of density of metal wear particles
This uses an ICP (Inductively Coupled Plasma) analyzer to measure the density of iron, copper, and other metal wear particles in the oil.



- Measurement of quantity of particles
This uses a PQI (Particle Quantifier Index) measurer to measure the quantity of iron particles of 5 μm or more, enabling early detection of failures.



- Others
Measurements are made of items such as the ratio of water, coolant, and fuel in the oil, and dynamic viscosity, if necessary, to enable a highly precise diagnosis of the machine and the components' condition.

OIL SAMPLING

- Sampling interval
500 hours
- Precautions when sampling
 - Make sure that the oil is well mixed before sampling.
 - Perform sampling at regular fixed intervals.
 - Do not perform sampling on rainy or windy days when water or dust can get into the oil.

For further details of KOWA, contact your Komatsu distributor.

STORING OIL AND FUEL

- Keep indoors to prevent any water, dirt, or other impurities from getting in.
- When keeping drum cans for a long period, put the drum on its side so that the filler port of the drums is at the side to prevent moisture from being sucked in.
If drums have to be stored outside, cover them with a waterproof sheet or take other measures to protect them.
- To prevent any change in quality during long-term storage, be sure to use in the order of first in - first out (use the oldest oil or fuel first).

FILTERS

- Filters are extremely important safety parts. They prevent impurities in the fuel and air circuits from entering important equipment and causing problems.
Replace all filters periodically. For details, see the Operation and Maintenance Manual.
However, when working in severe conditions, replace the filters at shorter intervals according to the oil and fuel (sulfur content) being used.
- Never try to clean the filters (cartridge type) and use them again. Always replace with new filters.
- When replacing oil filters, check if any metal particles are attached to the old filter. If any metal particles are found, consult your Komatsu distributor.
- Do not open packs of spare filters until just before they are to be used.
- Always use Komatsu genuine filters.

ELECTRIC SYSTEM MAINTENANCE

- It is extremely dangerous if the electrical equipment becomes wet or the covering of the wiring is damaged. This will cause an electrical short circuit and may lead to malfunction of the machine. Do not wash the inside of the operator's cab with water. When washing the machine, be careful not to let water get into the electrical components.
- Service relating to the electric system is checking fan belt tension, checking damage or wear to the fan belt and checking battery fluid level.
- Never install any electric components other than those specified by Komatsu.
- External electro-magnetic interference may cause malfunction of the control system controller, before installing a radio receiver or other wireless equipment, consult your Komatsu distributor.
- When working at the seashore, carefully clean the electric system to prevent corrosion.
- When installing electrical equipment, connect it to the special power source connector.
Do not connect the optional power source to the fuse, starting switch, or battery relay.

WEAR PARTS

Replace wear parts such as the filter element or air cleaner element at the time of periodic maintenance or before they reach the wear limit. The wear parts should be replaced correctly in order to ensure more economic use of the machine. When replacing parts, always use Komatsu genuine parts.

As a result of our continuous efforts to improve product quality, the part number may change, so inform your Komatsu distributor of the machine serial number and check for the latest part number when ordering parts.

WEAR PARTS LIST

The parts in parentheses are to be replaced at the same time.

Item	Part No.	Part Name	Q'ty	Replacement frequency
Engine oil filter	600-211-2110	Cartridge	1	EVERY 500 HOURS SERVICE
Fuel pre-filter	600-319-4110	Cartridge (with Seal)	1	
Hydraulic tank breather	20Y-60-21470	Element	1	
Hydraulic oil filter	14X-60-31150 (07000-12135)	Element (O-ring)	1 (1)	EVERY 1000 HOURS SERVICE
Fuel main filter	600-319-3870	Cartridge	1	
Air cleaner	600-185-2100	Element assembly	1	-
Electric heater	6204-11-4850	Gasket	2	-
Bucket	205-70-74272 (205-70-74282) (205-70-74291)	Vertical pin type (Pin) (Lock)	4 (4) (4)	-
	205-70-19570 (09244-02496)	Horizontal pin type (Pin)	4 (4)	
	202-70-63161 202-70-63171 (208-32-11231) (01803-02228)	Side cutter (Left) Side cutter (Right) (Bolt) (Nut)	1 1 (8) (8)	
Reinforced blade (if equipped)	12F-70-31281	Edge (center portion)	1	-
	21Y-71-11221 (02090-11055) (02290-11016)	Edge (left, right) (Bolt) (Nut)	2 (24) (24)	
Air conditioner RECIRC filter	22B-979-2860	Filter	1	Every one year
Air conditioner FRESH filter	17M-911-3530	Element	1	Every one year

RECOMMENDED FUEL, COOLANT, AND LUBRICANT

- Komatsu genuine oils are adjusted to maintain the reliability and durability of Komatsu construction equipment and components.

In order to keep your machine in the best conditioner for long periods of time, it is essential to follow the instructions in this Operation and Maintenance Manual.

- Failure to follow the Operation and Maintenance Manual may result in shortened life or excess wear of the engine, power train, cooling system, and/or other components.
- Commercially available lubricant additives may be good for the machine, but they may also cause harm. Komatsu does not recommend any commercially available lubricant additive.
- Use the oil recommended according to the ambient temperature in the chart below.
- Specified capacity means the total amount of oil including the oil in the tank and the piping. Refill amount of oil means the amount of oil needed to refill the system during inspection and maintenance.
- When starting the engine in temperatures below 0°C (32°F), be sure to use the recommended multi-grade oil, even if the ambient temperature may become higher during the course of the day.
- If the machine is operated at a temperature below -20°C (-4°F), a separate device is needed, so consult your Komatsu distributor.
- When the fuel sulfur content is less than 0.5%, change the engine oil according to the period inspection table given in this Operation and Maintenance Manual.

If the fuel sulfur content is more than 0.5%, change the oil according to the following table.

Sulfur content (%)	Oil change interval
Less than 0.5	500 hours
0.5 to 1.0	250 hours
1.0 and up	Not recommendable (*)

* If these fuels are used, there is danger that serious trouble may occur because of early deterioration of the engine oil or early wear of the internal parts of the engine. If the local situation makes it necessary to use these fuels, always remember the following.

- 1) Be sure to check Total Basic Number (TBN) of oil frequently by TBN handy checker etc., and change oil based on the result.
- 2) Always be aware that oil change interval is extremely shorter than standard.
- 3) Be sure to perform periodic engine inspection by distributor's expert since change interval of periodic replacement parts and overhaul interval are also shorter.

USE OF FUEL, COOLANT AND LUBRICANTS ACCORDING TO AMBIENT TEMPERATURE

Reservoir	Fluid Type	Ambient Temperature, degrees Celsius									Recommended Komatsu Fluids
		-22	-4	14	32	50	68	86	104	122°F	
		-30	-20	-10	0	10	20	30	40	50°C	
Engine oil pan	Engine oil	(Note.1)									Komatsu EOS0W30
		(Note.1)									Komatsu EOS5W40
		(Note.1)									Komatsu EO10W30-DH
		(Note.1)									Komatsu EO15W40-DH
		(Note.1)									Komatsu EO30-DH
Swing machinery case Final drive case PTO gear case	Powertrain oil (Note.2)	(Note.1)									TO30
Hydraulic system	Powertrain oil	(Note.1)									TO10
	Hydraulic oil	(Note.1)									HO46-HM
Grease fitting	Hyper grease (Note.3)	(Note.1)									G2-T, G2-TE
	Lithium EP grease	(Note.1)									G2-LI
Cooling system	SUPERCOOLANT (AF-NAC) (Note.4)	(Note.1)									AF-NAC
Fuel tank	Diesel fuel	(Note.1)									ASTM D975 No.1-D S15 ASTM D975 No.1-D S500
		(Note.1)									ASTM D975 No.2-D S15 ASTM D975 No.2-D S500

AJA00824

- ASTM: American Society of Testing and Material

		Engine oil pan	Swing machinery case	Final drive case (each)	PTO gear case	Hydraulic system	Fuel tank	Cooling system
Specified capacity	Liters	11.5	2.5	2.1	0.75	120	195	12.4
	US gal	3.04	0.66	0.55	0.20	31.68	51.48	3.28
Refill capacity	Liters	11	2.5	2.1	0.75	69	-	-
	US gal	2.91	0.66	0.55	0.20	18.22	-	-

NOTICE

Always use diesel oil for the fuel.

To ensure good fuel consumption characteristics and exhaust gas characteristics, the engine mounted on this machine uses an electronically controlled high-pressure fuel injection device. This device requires high precision parts and lubrication, so if low viscosity fuel with low lubricating ability is used, the durability may drop markedly.

The ASTM diesel fuel recommended by Komatsu may contain 5% or less of biofuel. The EN diesel fuel may contain 7% or less of it. Use the fuel which is filled into the storage tank or the fuel tank of the machine as soon as possible.

Note 1: HTHS (High-Temperature High-Shear Viscosity 150°C (302°F)), specified by ASTM D4741 must be equal to or higher than 3.5 mPa-S. Komatsu EOS0W30 and EOS5W40 are the most suitable oils.

Note 2: Powertrain oil has different properties from engine oil. Be sure to use the recommended oils.

Note 3: Hyper grease (G2-T, G2-TE) has a high performance.

When it is necessary to improve the lubricating ability of the grease in order to prevent squeaking of pins and bushings, the use of G2-T or G2-TE is recommended.

Note 4: Supercoolant (AF-NAC)

1) Coolant has the important function of anticorrosion as well as antifreeze.

Even in the areas where freezing is not an issue, the use of antifreeze coolant is essential.

Komatsu machines are supplied with Komatsu Supercoolant AF-NAC. Komatsu Supercoolant AF-NAC has excellent anticorrosion, antifreeze and cooling properties and can be used continuously for 2 years or 4000 hours. Komatsu Supercoolant AF-NAC is strongly recommended wherever available.

2) For details of the Supercoolant AF-NAC density, see "CLEAN INSIDE OF COOLING SYSTEM (PAGE 4-22)". Supercoolant AF-NAC is supplied already diluted. In this case, add the pre-diluted fluid to keep the tank full. (Never dilute the Supercoolant with ordinary water.)

3) To maintain the anticorrosion properties of Supercoolant AF-NAC, always keep the density of Supercoolant between 30% and 64%.

RECOMMENDED BRANDS, RECOMMENDED QUALITY FOR PRODUCTS OTHER THAN KOMATSU GENUINE OIL

When using commercially available oils other than Komatsu genuine oil, consult your Komatsu distributor.

TIGHTENING TORQUE SPECIFICATIONS

TIGHTENING TORQUE LIST

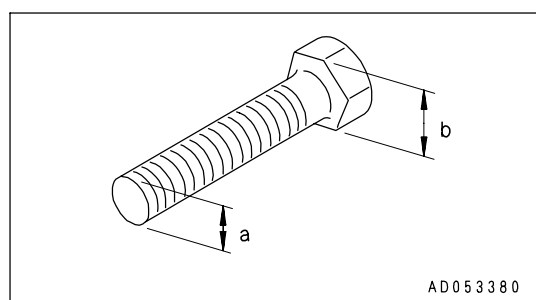


If nuts, bolts, or other parts are not tightened to the specified torque, it will cause looseness or damage to the tightened parts, and this will cause failure of the machine or problems with operation.

Always pay careful attention when tightening parts.

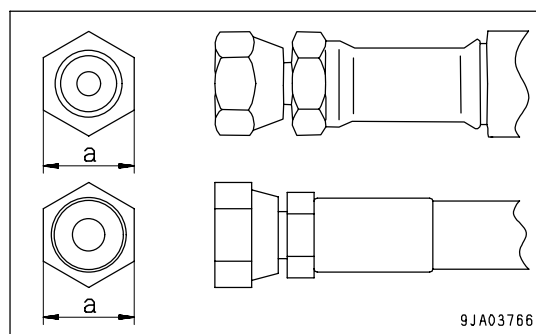
Unless otherwise specified, tighten the metric nuts and bolts to the torque shown in the table below. If it is necessary to replace any nut or bolt, always use a Komatsu genuine part of the same size as the part that was replaced.

Thread diameter of bolt (a)(mm)	Width across flats (b)(mm)	Tightening torque					
		Target value			Service limit		
		Nm	kgm	lbft	Nm	kgm	lbft
6	10	13.2	1.35	9.8	11.8 to 14.7	1.2 to 1.5	8.7 to 10.8
8	13	31	3.2	23.1	27 to 34	2.8 to 3.5	20.3 to 25.3
10	17	66	6.7	48.5	59 to 74	6.0 to 7.5	43.4 to 54.2
12	19	113	11.5	83.2	98 to 123	10.0 to 12.5	72.3 to 90.4
14	22	172	17.5	126.6	153 to 190	15.5 to 19.5	112.1 to 141.0
16	24	260	26.5	191.7	235 to 285	23.5 to 29.5	170.0 to 213.4
18	27	360	37.0	267.6	320 to 400	33.0 to 41.0	238.7 to 296.6
20	30	510	52.3	378.3	455 to 565	46.5 to 58.0	336.3 to 419.5
22	32	688	70.3	508.5	610 to 765	62.5 to 78.0	452.1 to 564.2
24	36	883	90.0	651.0	785 to 980	80.0 to 100.0	578.6 to 723.3
27	41	1295	132.5	958.4	1150 to 1440	118.0 to 147.0	853.5 to 1063.3
30	46	1720	175.0	1265.8	1520 to 1910	155.0 to 195.0	1121.1 to 1410.4
33	50	2210	225.0	1627.4	1960 to 2450	200.0 to 250.0	1446.6 to 1808.3
36	55	2750	280.0	2025.2	2450 to 3040	250.0 to 310.0	1808.3 to 2242.2
39	60	3280	335.0	2423.1	2890 to 3630	295.0 to 370.0	2133.7 to 2676.2



Apply the following table for Hydraulic Hose.

Hose nominal number	Width across flat a (mm)	Tightening torque					
		Target valve			Service limit		
		Nm	kgm	lbft	Nm	kgm	lbft
02	19	44	4.5	32.5	35 to 54	3.5 to 5.5	25.3 to 39.8
03	22	74	7.5	54.2	54 to 93	5.5 to 9.5	39.8 to 68.7
	24	78	8.0	57.9	59 to 98	6.0 to 10.0	43.4 to 72.3
04	27	103	10.5	75.9	84 to 132	8.5 to 13.5	61.5 to 97.6
05	32	157	16.0	115.7	128 to 186	13.0 to 19.0	94.0 to 137.4
06	36	216	22.0	159.1	177 to 245	18.0 to 25.0	130.2 to 180.8



SAFETY CRITICAL PARTS

For using the machine safely for an extended period of time, you must periodically replace the safety critical and fire prevention-related parts listed in the table of important parts.

Material quality of these parts can change as time passes and they are likely to wear out or deteriorate. However, it is difficult to determine the extent of wear or deterioration at the time of periodic maintenance. Hence, it is required to replace them with new ones regardless of their condition after a certain period of usage. This is important to ensure that these parts maintain their full performance at all times.

Furthermore, should anything abnormal be found on any of these parts, replace it with a new one even if the periodic replacement time for the part has not yet arrived.

If any of the hose clamps show deterioration like deformation or cracking, replace the clamps at the same time as the hoses.

Also perform the following checks with hydraulic hoses which need to be replaced periodically. Tighten all loose clamps and replace defective hoses, as required.

When replacing hoses, always replace O-rings, gaskets, and other such parts at the same time.

Ask your Komatsu distributor to replace the critical parts.

SAFETY CRITICAL PARTS LIST

No.	Safety critical parts for periodic replacement	Q'ty	Replacement interval
1	Fuel hose (fuel tank - injection pump)	2	Every 2 years or 4000 hours, whenever comes sooner
2	Fuel return hose (return - fuel cooler inlet port)	1	
3	Fuel cooler return hose (fuel cooler outlet port - fuel tank)	1	
4	Turbocharger lubricating hose	1	
5	Engine oil filter hose (engine - oil filter)	2	
6	Pump outlet hose (pump - control valve delivery hose)	1	
7	Pump outlet hose (pump - control valve PP hose)	1	
8	Pump outlet hose (pump - control valve LS hose)	1	
9	Work equipment hose (boom cylinder inlet port)	4	
10	Work equipment hose (bucket cylinder line - boom foot)	2	
11	Work equipment hose (bucket cylinder inlet port)	2	
12	Work equipment hose (arm cylinder line - boom foot)	2	
13	Work equipment hose (arm cylinder inlet port)	2	
14	Attachment additional line hose (boom foot)	2	
15	Attachment additional line hose (boom top)	2	
16	Swing line hose (swing motor inlet port)	2	
17	Main suction hose	1	
18	Air conditioner heater hose	2	
19	Seat belt	1	Every 3 years after beginning to use or 5 years after manufacturing of seat belt, whichever comes sooner
20	Engine high-pressure piping clamps	1set	Every 8000 hours
21	Fuel spray prevention cap	1set	

(Machine of poor fuel arrangement specification)

No.	Safety critical parts for periodic replacement	Q'ty	Replacement interval
1	Fuel hose (fuel tank - injection pump)	3	Every 2 years or 4000 hours, whenever comes sooner
2	Fuel return hose (return - fuel cooler inlet port)	1	
3	Fuel cooler return hose (fuel cooler outlet port - fuel tank)	1	
4	Turbocharger lubricating hose	1	
5	Engine oil filter hose (engine - oil filter)	2	
6	Pump outlet hose (pump - control valve delivery hose)	1	
7	Pump outlet hose (pump - control valve PP hose)	1	
8	Pump outlet hose (pump - control valve LS hose)	1	
9	Work equipment hose (boom cylinder inlet port)	4	
10	Work equipment hose (bucket cylinder line - boom foot)	2	
11	Work equipment hose (bucket cylinder inlet port)	2	
12	Work equipment hose (arm cylinder line - boom foot)	2	
13	Work equipment hose (arm cylinder inlet port)	2	
14	Attachment additional line hose (boom foot)	2	
15	Attachment additional line hose (boom top)	2	
16	Swing line hose (swing motor inlet port)	2	
17	Main suction hose	1	
18	Air conditioner heater hose	2	
19	Seat belt	1	Every 3 years after beginning to use or 5 years after manufacturing of seat belt, whichever comes sooner
20	Engine high-pressure piping clamps	1set	Every 8000 hours
21	Fuel spray prevention cap	1set	

MAINTENANCE SCHEDULE

If the machine is equipped with a hydraulic breaker, the maintenance schedule for some parts will be different. For details, see "MAINTENANCE INTERVAL FOR HYDRAULIC BREAKER (PAGE 4-17)" to confirm the correct maintenance schedule when performing maintenance.

MAINTENANCE SCHEDULE CHART

WHEN REQUIRED

CHECK, CLEAN AND REPLACE AIR CLEANER ELEMENT	4- 18
CLEAN INSIDE OF COOLING SYSTEM	4- 22
CHECK AND TIGHTEN TRACK SHOE BOLTS	4- 25
CHECK AND ADJUST TRACK TENSION	4- 26
CHECK ROAD LINERS	4- 28
REPLACE ROAD LINERS	4- 28
REPLACE BUCKET TEETH (VERTICAL PIN TYPE)	4- 29
REPLACE BUCKET TEETH (HORIZONTAL PIN TYPE)	4- 32
ADJUST BUCKET CLEARANCE	4- 34
CHECK WINDOW WASHER FLUID LEVEL, ADD FLUID	4- 35
CHECK AND MAINTENANCE AIR CONDITIONER	4- 36
CHECK, CLEAN AND LUBRICATE CAB SLIDE DOOR RAIL AND ROLLER	4- 37
REPLACE BREAKER CIRCUIT ADDITIONAL OIL FILTER ELEMENT (IF EQUIPPED)	4- 38
WASHING WASHABLE FLOOR	4- 39
CHECK GAS SPRING	4- 42
BLEEDING AIR FROM HYDRAULIC SYSTEM	4- 43
INSPECTION OF ADDITIONAL WATER SEPARATOR AND CLEANING OF CASING INTERIOR	4- 46

CHECKS BEFORE STARTING

EVERY 100 HOURS MAINTENANCE

LUBRICATING	4- 49
CHECK SWING MACHINERY CASE OIL, ADD OIL	4- 50

EVERY 250 HOURS MAINTENANCE

CHECK OIL LEVEL IN FINAL DRIVE CASE, ADD OIL	4- 51
CHECK LEVEL OF BATTERY ELECTROLYTE	4- 52
CHECK AND ADJUST COOLING FAN BELT TENSION	4- 55
CHECK AIR CONDITIONER COMPRESSOR BELT TENSION, ADJUST	4- 57

EVERY 500 HOURS MAINTENANCE

LUBRICATION	4- 59
CHANGE OIL IN ENGINE OIL PAN, REPLACE ENGINE OIL FILTER CARTRIDGE	4- 61
REPLACE FUEL PREFILTER CARTRIDGE	4- 62
CHECK SWING PINION GREASE LEVEL, ADD GREASE	4- 64
LUBRICATE SWING CIRCLE	4- 64
CLEAN AND INSPECT RADIATOR FINS, OIL COOLER FINS, AFTERCOOLER FINS, FUEL COOLER FINS, AND AIR CONDITIONER CONDENSER FINS	4- 65
CLEAN INTERNAL AND EXTERNAL AIR FILTERS OF AIR CONDITIONER	4- 65
REPLACE BREATHER ELEMENT IN HYDRAULIC TANK	4- 67

EVERY 1000 HOURS MAINTENANCE

CHANGE OIL IN SWING MACHINERY CASE -----	4- 68
CHANGE OIL IN FINAL DRIVE CASE -----	4- 69
REPLACE HYDRAULIC OIL FILTER ELEMENT -----	4- 70
REPLACE FUEL MAIN FILTER CARTRIDGE -----	4- 71
CHECK ALL TIGHTENING POINTS OF ENGINE EXHAUST PIPE CLAMPS -----	4- 73
CHECK PTO GEAR CASE, ADD OIL -----	4- 73

EVERY 2000 HOURS MAINTENANCE

CLEAN HYDRAULIC TANK STRAINER-----	4- 74
CHECK ALTERNATOR, STARTING MOTOR -----	4- 74
CHECK ENGINE VALVE CLEARANCE, ADJUST -----	4- 74
CHECKING CHARGE PRESSURE OF NITROGEN GAS IN ACCUMULATOR (FOR CONTROL CIRCUIT) -----	4- 75

EVERY 4000 HOURS MAINTENANCE

CHECK WATER PUMP -----	4- 78
REPLACE ACCUMULATOR (FOR CONTROL CIRCUIT) -----	4- 78
CHECK FOR LOOSENESS OF HIGH-PRESSURE PIPING CLAMP, HARDENING OF RUBBER -----	4- 79
CHECK FOR MISSING FUEL SPRAY PREVENTION CAP, HARDENING OF RUBBER -----	4- 79

EVERY 5000 HOURS MAINTENANCE

CHANGE OIL IN HYDRAULIC TANK -----	4- 80
------------------------------------	-------

EVERY 8000 HOURS MAINTENANCE

REPLACE HIGH-PRESSURE PIPING CLAMP -----	4- 82
REPLACE FUEL SPRAY PREVENTION CAP -----	4- 82

MAINTENANCE INTERVAL FOR HYDRAULIC BREAKER

For machine equipped with a hydraulic breaker, the hydraulic oil deteriorates faster than for normal bucket digging operations, so set the maintenance intervals as follows.

- **Replace hydraulic filter element**

On a new machine, replace the element after the first 100 to 150 hours, then perform further replacement of the element according to the table on the right.

- **Change oil in hydraulic tank**

Change the oil according to the table on the right.

- **Replacing additional filter element for breaker (if equipped)**

Use a guideline of 250 hours for use of the breaker (operating ratio for the breaker: 50 % or more), and replace the element according to the table on the right.

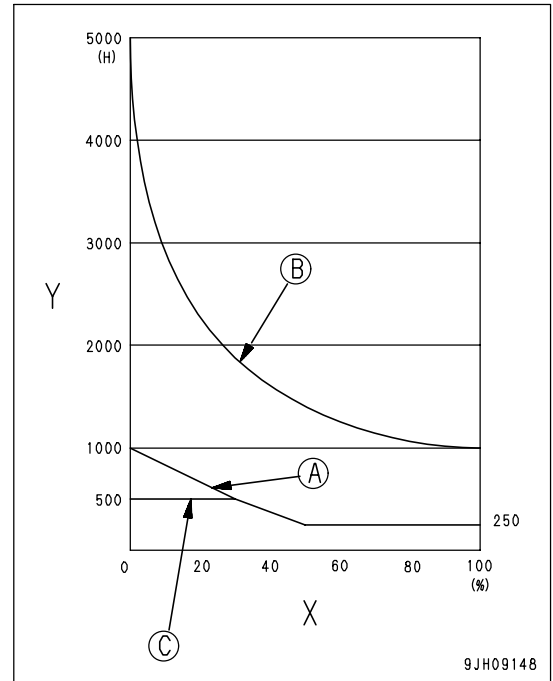
X: Breaker operating ratio (%)

Y: Replacement interval (H)

(A): Hydraulic filter element, Pilot filter element

(B): Hydraulic oil

(C): Additional filter element



REMARK

Breaker operating ratio 100% means that only the breaker is used

Breaker operating ratio 0% means that the breaker is not used

MAINTENANCE PROCEDURE

WHEN REQUIRED

CHECK, CLEAN AND REPLACE AIR CLEANER ELEMENT

 **WARNING**

- If inspection, cleaning, or maintenance is carried out with the engine running, dirt will get into the engine and damage it. Always stop the engine before carrying out these operations.
- When using compressed air, there is danger that dirt may be blown around and cause serious injury. Always use protective eyeglasses, dust mask, and other protective equipment.

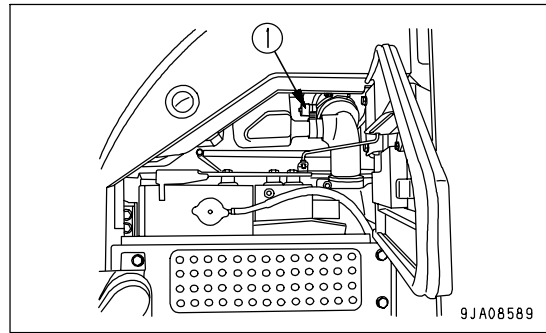
Checking

Open the rear cover of cab and check dust indicator (1). If a red piston shows in the transparent window, clean the air cleaner element.

NOTICE

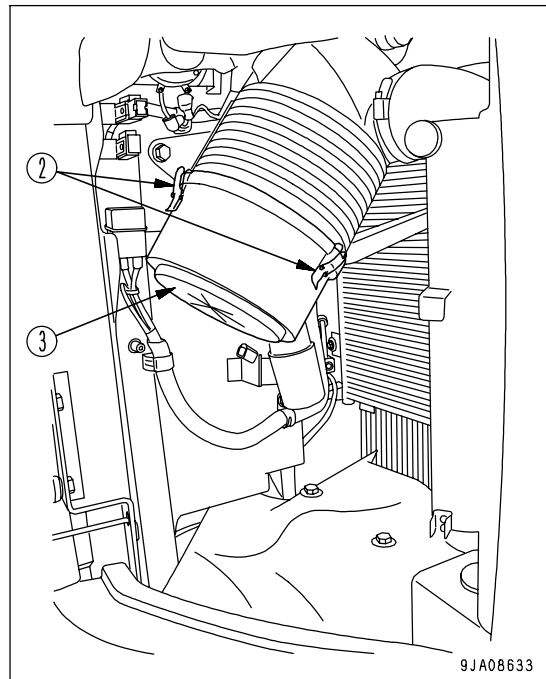
Do not clean the air cleaner element before the red piston in dust indicator (1) appears.

If the air cleaner element is cleaned frequently before the red piston in the dust indicator appears, the air cleaner cannot provide the proper performance and the cleaning efficiency is lowered.



Cleaning Outer Element

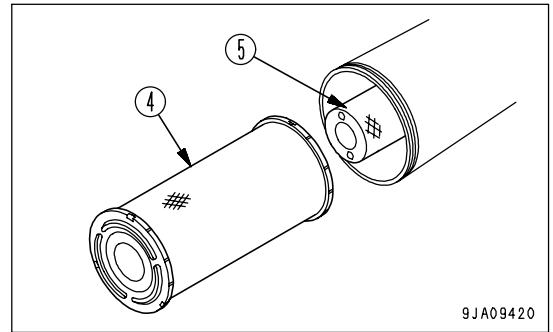
1. Open the battery room door on the left side of the machine, remove clips (2) at 3 places, then take out cover (3).



NOTICE

Never remove inner element (5). If it is removed, dust will enter and cause engine trouble.

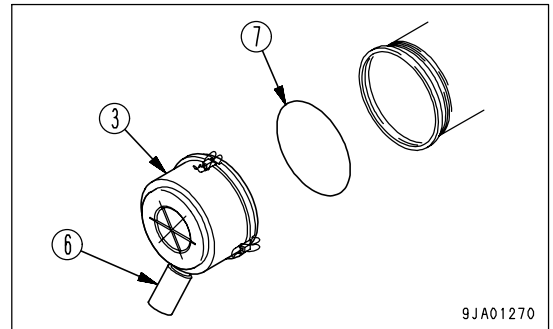
2. Remove outer element (4).



NOTICE

When cleaning cover (3), do not remove evacuator valve (6).

3. Clean the inside of the air cleaner body and the cover (3).



NOTICE

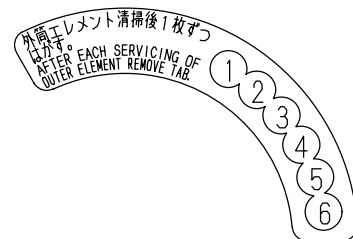
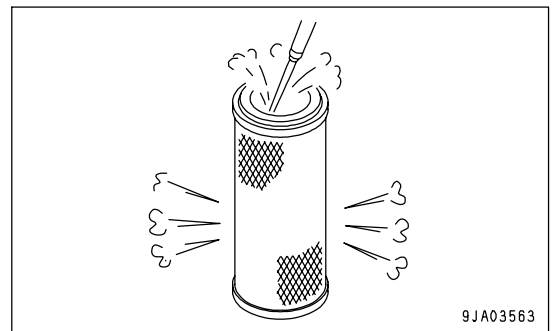
The inner element must not be used again even after cleaning. When replacing the outer element, replace the inner element at the same time.

4. Direct dry compressed air (less than 0.2 MPa {2.1 kg/cm², 30.0 PSI}) to the outer element from inside along its pleats, then direct it from outside along its pleats and again from inside.

- 1) Replace any outer element which has been cleaned 6 times or used for 1 year. Replace the inner element at the same time.

- 2) Replace both inner and outer elements when the dust indicator red piston appears soon after installing the cleaned outer element even though it has not been cleaned 6 times.

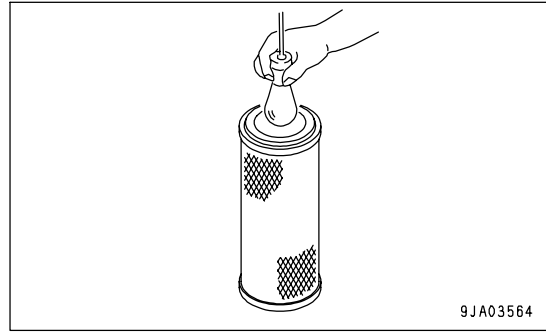
- 3) Remove 1 seal from the element whenever the element has been cleaned.



- If small holes or thinner parts are found on the element when it is checked by shining a light through it after cleaning, replace the element.

NOTICE

When cleaning the element, do not hit it or beat it against something. Do not use an element whose pleats or gasket or seal are damaged. Wrap unused element and store them in a dry place.

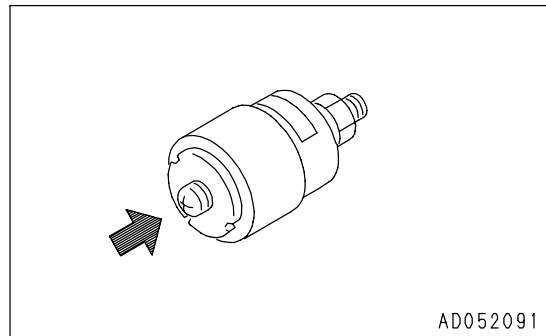


9JA03564

CAUTION

When installing the cover (3), check O-ring (7) and replace it if there are any scratches or damage.

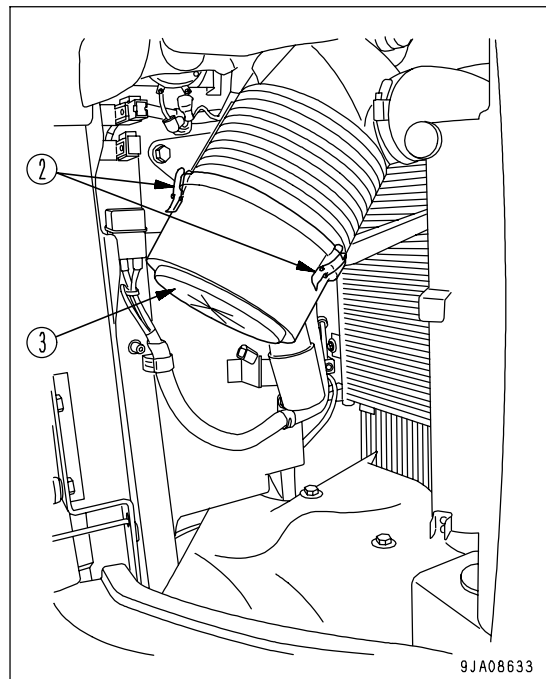
- Set the cleaned outer element in position, then secure cover (3) with mounting clips (2).
- Press the button of dust indicator (1) to return the red piston to its original position.



AD052091

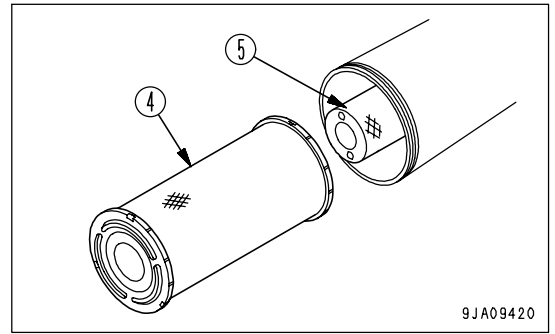
Replacing Element

- Open the battery room door on the left side of the machine, remove clips (2) at 3 places, then take out cover (3).



9JA08633

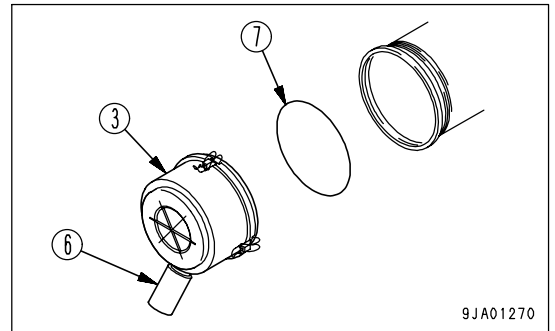
- Remove outer element (4).
Do not remove inner element (5) at this time, however.



NOTICE

When cleaning cover (3), do not remove evacuator valve (6).

- Clean the inside of the air cleaner body and the cover (3).

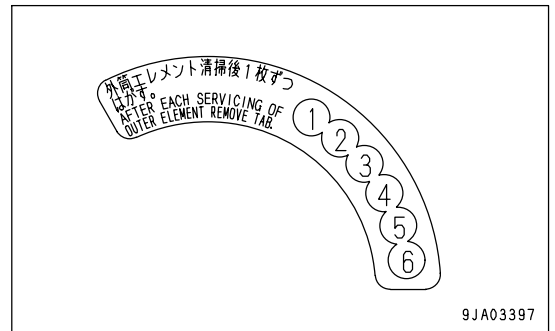


- Remove inner element (5), then install a new inner element immediately.

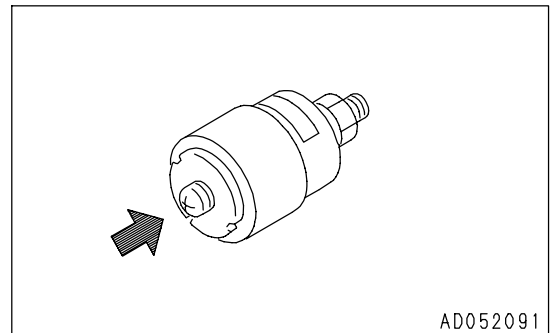
CAUTION

When installing the cover (3), check O-ring (7) and replace it if there are any scratches or damage.

- Set the cleaned outer element in position, then secure cover (3) with mounting clips (2).
- Replace the seal attached to cover (3) with new one.



- Return the red piston in the dust indicator (1) to its original position.



CLEAN INSIDE OF COOLING SYSTEM



- Immediately after the engine is stopped, the coolant is at a high temperature and the radiator is under high internal pressure. If the cap is removed to drain the coolant in this condition, there is a hazard of burns. Wait for the temperature to go down, then turn the cap slowly to release the pressure before removing it.
- Cleaning is carried out with the engine running. When standing up or leaving the operator's seat, set the lock lever to the LOCK position.
- For details of starting the engine, see "BEFORE STARTING ENGINE (PAGE 3-115)" and "STARTING ENGINE (PAGE 3-137)" in the OPERATION section.
- The engine is operated when washing, so it is dangerous if the machine moves when you are standing behind it. Never stand behind the machine when the engine is running.

Stop the machine on level ground when cleaning or changing the coolant.

Clean the inside of the cooling system, change the coolant according to the table below.

Coolant	Interval for cleaning inside of cooling system and changing antifreeze coolant
Komatsu genuine SUPERCOOLANT (AF-NAC)	Every 2 years or every 4000 hours whichever comes sooner

Komatsu genuine SUPERCOOLANT (AF-NAC) has the important function of preventing corrosion as well as preventing freezing. Even in the areas where freezing is not an issue, the use of coolant is essential. Komatsu machines are supplied with SUPERCOOLANT (AF-NAC). SUPERCOOLANT (AF-NAC) has excellent anticorrosion, antifreeze and cooling properties and can be used continuously for 2 years or 4000 hours. As a basic rule, we do not recommend the use of any coolant other than SUPERCOOLANT (AF-NAC). If you use another coolant, it may cause serious problems, such as corrosion of the engine and aluminum parts of the cooling system.

To maintain the anticorrosion properties of Supercoolant (AF-NAC), always keep the density of Supercoolant between 30% and 64%.

When selecting coolant, investigate the lowest temperature in the past and decide the density for the coolant from the coolant density table below. When actually deciding the density for the coolant, set it approximately 10°C {18° F} below lowest temperature. The density must be over 30% at least. If the density of obtained coolant is higher than the necessary density for lowest temperature, dilute it with adequate distilled water, and then fill it into the tank. If there is any unclear point, contact your Komatsu distributor.

Coolant density table

Minimum Temp	°C	Above -10	-15	-20	-25	-30	-35	-40	-45	-50
	°F	Above 14	5	-4	-13	-22	-31	-40	-49	-58
Density (%)		30	36	41	46	50	54	58	61	64

! WARNING

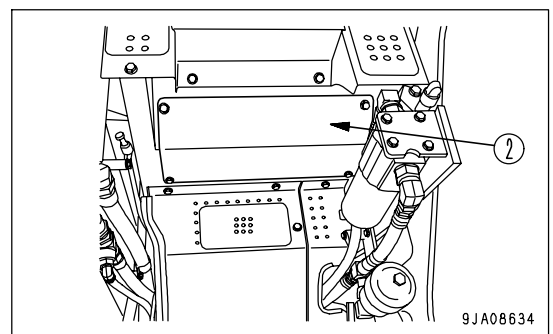
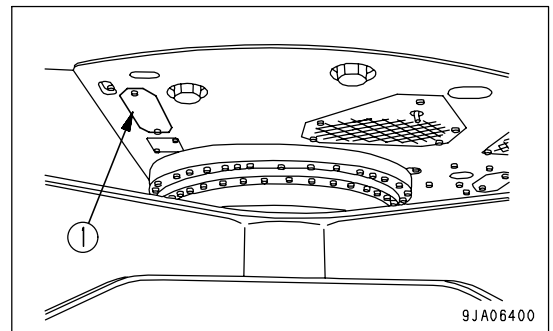
- Coolant is toxic. When open the drain valve, be careful not to get coolant on you. If it gets in your eyes, flush your eyes with large amount of fresh water and see a doctor at once.
- When changing the coolant or when handling the cooling water containing coolant that has been drained during repair of radiator, contact your Komatsu distributor or request a specialist company to perform the operation. Coolant is toxic. Do not let it flow into drainage ditches or spray it onto the ground surface.

Coolant is already diluted with distilled water, so it is not flammable. (For details of the distilled water, see "COOLANT AND WATER FOR DILUTION (PAGE 4-5)"). Check the density with a coolant tester.

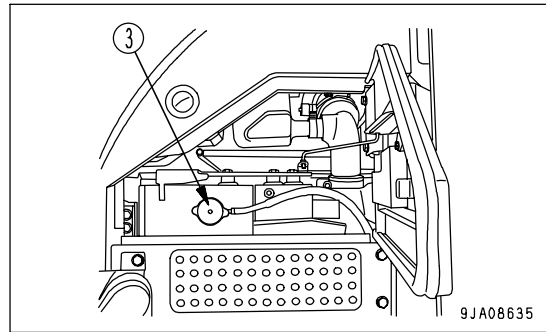
Prepare a container whose capacity is larger than the specified coolant volume to catch drained coolant. Prepare a hose to supply coolant and water.

- Prepare a container with a capacity of at least 15 liter (3.96 US gal) to catch the coolant.

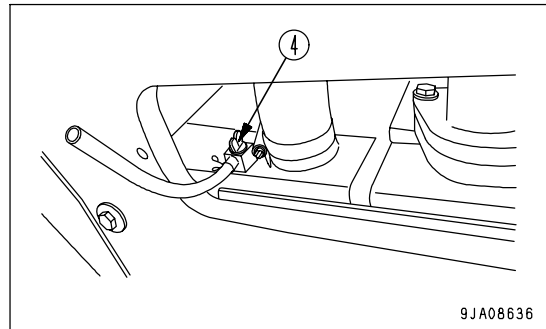
1. Stop the engine.
2. Remove undercover (1) and cover (2) between the hydraulic tank and operator's cab, then put a container in position to catch the coolant.



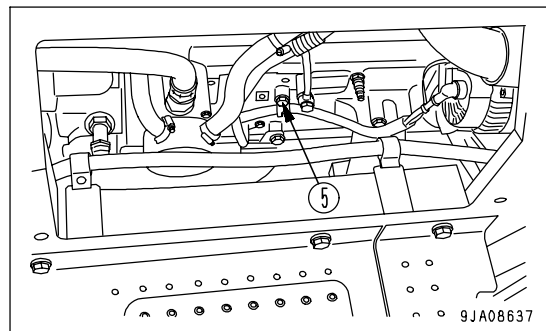
3. Check that the cooling water temperature has gone down enough to make it possible to touch the radiator cap surface by hand, then turn radiator cap (3) slowly until it contacts the stopper to release the pressure.
4. Following this, push radiator cap (3), turn it until it contacts the stopper, then remove it.
5. Open drain valve (4) at the bottom of the radiator and drain the water.
Remove drain plug (5) in the cylinder block and drain the water.
6. After draining the water, close drain valve (4) and tighten drain plug (5), then fill with city water.
7. When the radiator is full, start the engine, and run it at low idle. Keep the engine running at low idle for 10 minutes until the coolant temperature reaches more than 90°C (194°F).
8. Stop the engine, then open drain valve (4) and remove drain plug (5) to drain the water.
9. Close drain valve (4). Wind seal tapes onto drain plug (5), then tighten it.
10. Install covers (1) and (2).
11. Add coolant through the water filler port up to the mouth of the port. For details of the coolant density, see "COOLANT DENSITY TABLE".
12. To remove the air in the coolant, run the engine at Low idle (MIN) for 5 minutes, and then run at High idle (MAX) for a further 5 minutes. (When doing this, leave the radiator cap off.)



9JA08635

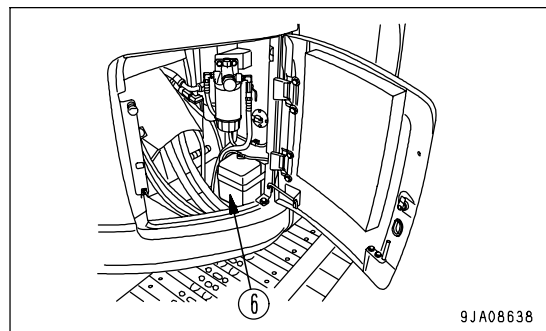


9JA08636

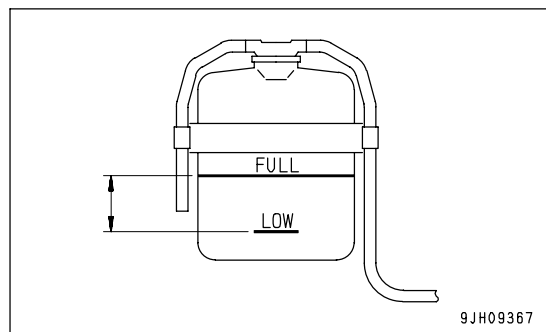


9JA08637

13. Drain the water from sub tank (6), wash the inside of the sub tank, then add cooling water to a point midway between the FULL and LOW marks.
14. Stop the engine and tighten the cap. Check the coolant level, and add water if the level is low.



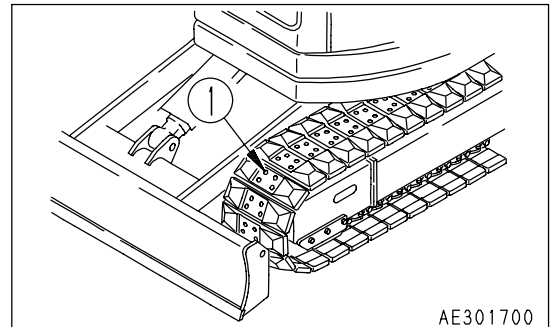
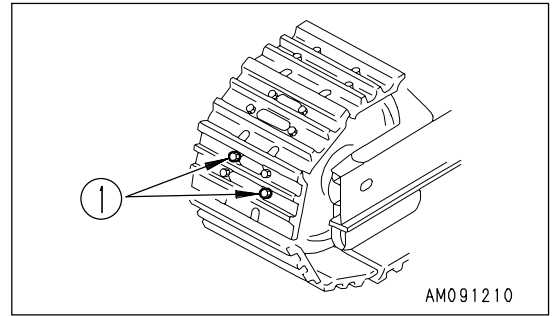
9JA08638



9JH09367

CHECK AND TIGHTEN TRACK SHOE BOLTS

If the machine is used with track shoe bolts (1) loose, they will break, so tighten any loose bolts immediately.

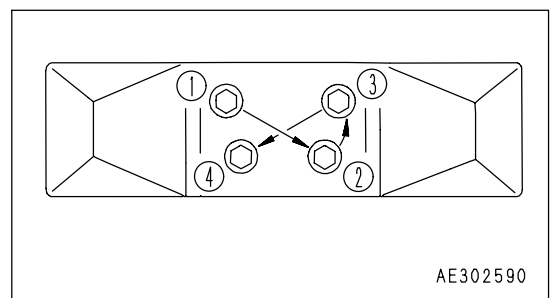
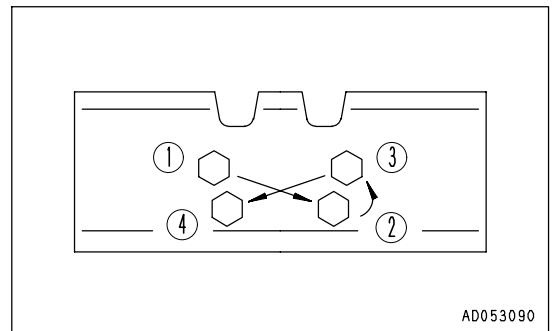


Tightening

1. First tighten to a tightening torque of 196 ± 19.6 Nm (20 ± 2 kgm, 144.7 ± 14.5 lbft) then check that the nut and shoe are in close contact with the link contact surface.
2. After checking, tighten the angle of the shoe bolts a further 90 ± 10 deg. for steel shoes (120 ± 10 deg. for swamp shoes) and 60 ± 10 deg. for road liners.

Order for Tightening

Tighten the bolts in the order shown in the figure on the right. After tightening, check that the nut and shoe are in close contact with the link mating surface.



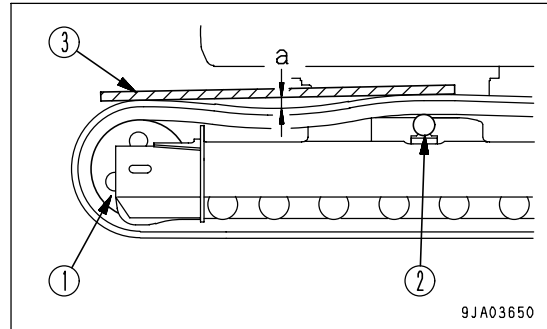
CHECK AND ADJUST TRACK TENSION

The wear of the pins and bushings on the undercarriage will vary with the working conditions and type of soil, so inspect the track tension frequently in order to maintain the standard tension.

Stop the machine on firm, horizontal ground when carrying out the inspection and maintenance.

Checking

1. Run the engine at low idle, move the machine forward a distance equal to the length of track on ground, then stop the machine.
2. Choose wooden block (3) that will reach from idler (1) to carrier roller (2), then place it on top of the track.
3. Measure the maximum deflection between the top surface of the track and the bottom surface of the wooden block.
 - Standard deflection
 - Deflection "a" should be 10 to 30 mm (0.4 to 1.2 in).



If the track tension is not at the standard value, adjust it in the following manner.

Adjustment

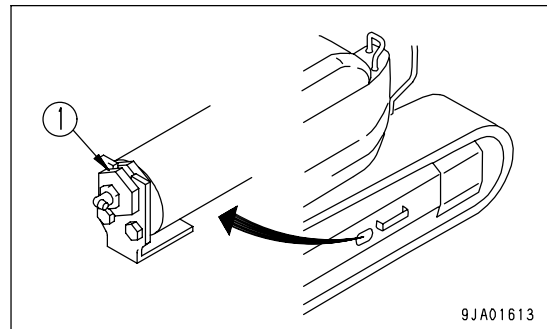


WARNING

There is danger of plug (1) flying out under the high internal pressure of the grease. Never loosen plug (1) more than 1 turn.

Never loosen any part other than plug (1). Never put your face in the mounting direction of plug (1).

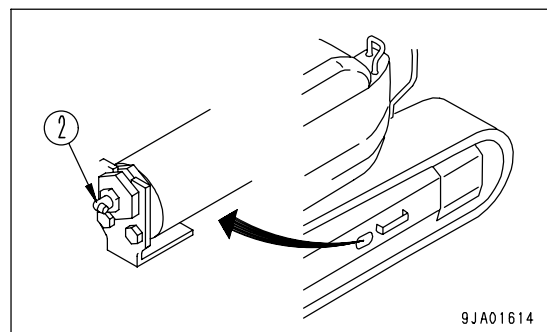
If the track tension cannot be loosened with the procedure given here, contact your Komatsu distributor.



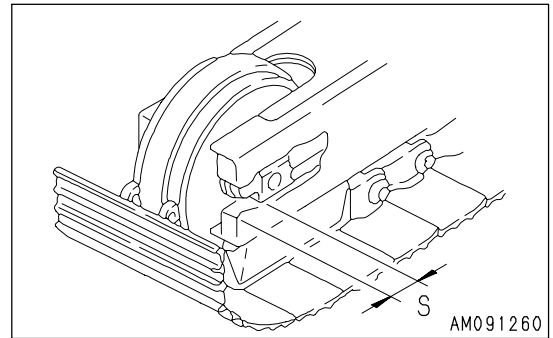
Increasing Track Tension

Prepare a grease pump.

1. Pump in grease through grease fitting (2) with a grease pump.
2. To check that the track tension is correct, run the engine at low idle, move the machine forward a distance equal to the length of track on ground, then stop the machine.
3. Check the track tension again, and if the tension is not correct, adjust it again.



4. Continue to pump in grease until dimension (S) becomes zero (0). If the tension is still loose, the pin and bushing are excessively worn, so they must be either turned or replaced. Contact your Komatsu distributor for repairs.

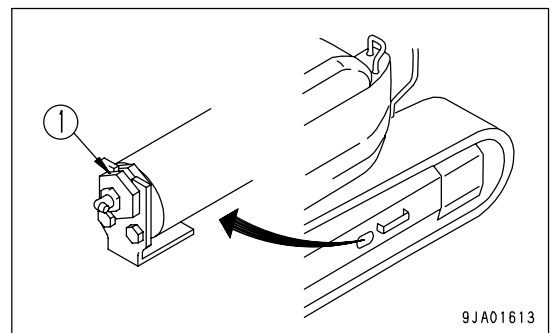


Loosening Track Tension

! WARNING

It is extremely dangerous to release the grease by any method except the procedure given below. If track tension is not relieved by this procedure, ask your Komatsu distributor for repairs.

1. Loosen plug (1) gradually to release the grease.
2. When loosening plug (1), turn it a maximum of 1 turn.
3. If the grease does not come out smoothly, move the machine forwards and backwards a short distance.
4. Tighten plug (1).
5. To check that the track tension is correct, run the engine at low idle, move the machine forward a distance equal to the length of track on ground, then stop the machine.
6. Check the track tension again, and if the tension is not correct, adjust it again.



CHECK ROAD LINERS

(Machine equipped with road liner)

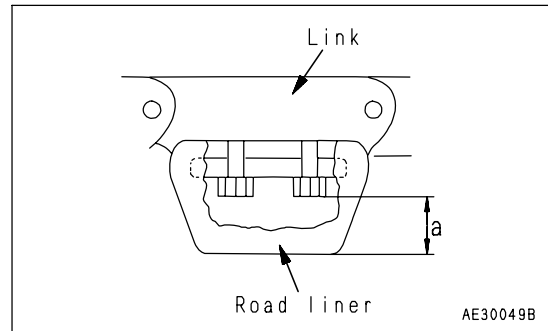
If the road liners are in the following condition, they must be repaired or replaced, so contact your Komatsu distributor for repairs or replacement.

Lug Height

If lug height "a" is reduced by wear, the drawbar pull will drop.

If "a" is less than 5 mm (0.2 in), replace with a new part.

When making judgement whether to replace, repair, or continue using road liner, please contact your Komatsu distributor.



REPLACE ROAD LINERS

(Machine equipped with road liner)

- When replacing all the road liner for the machine, please contact your Komatsu distributor to have the replacement carried out.
- When replacing only part of the road liner, use the special road liner removal tool. Order the tool from your Komatsu distributor.

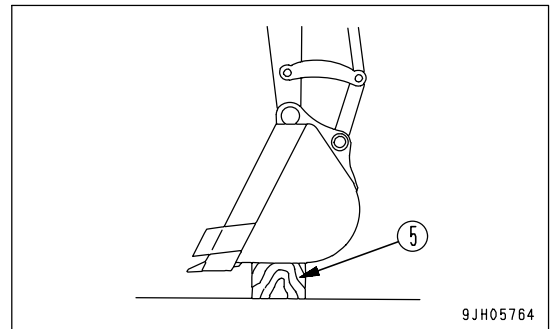
REPLACE BUCKET TEETH (VERTICAL PIN TYPE)

Replace the bucket teeth before the adapter starts to wear.

WARNING

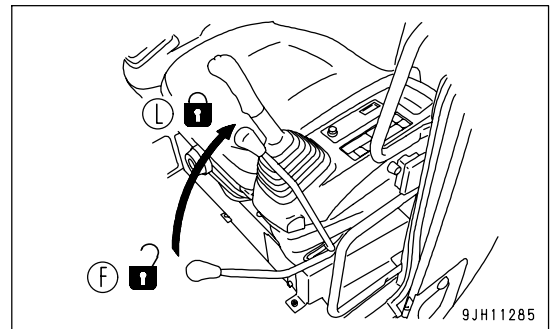
- It is dangerous if the work equipment moves by mistake when the teeth are being replaced.
Set the work equipment in a stable condition, then stop the engine and set the lock lever securely to LOCK position.
- The pins can be knocked out only with strong force, so there is a hazard that the pin may fly out. Check that there is no one in the surrounding area.
- There is a hazard that fragments will fly during the replacement work, so always wear protective equipment like protective eyeglasses and gloves.

1. To make it possible to knock out pin of tooth (1), put block (5) under the bottom of the bucket, and set so that the bottom surface of the bucket is horizontal.



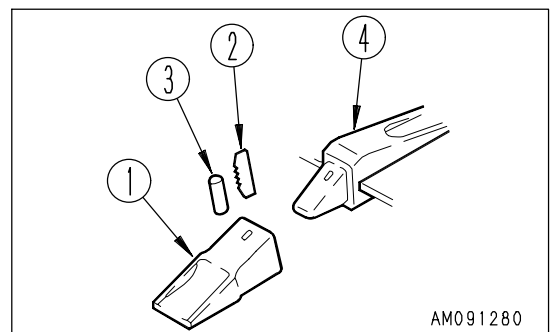
9JH05764

2. Check that the work equipment is in a stable condition, then set the lock lever to LOCK position (L).



9JH11285

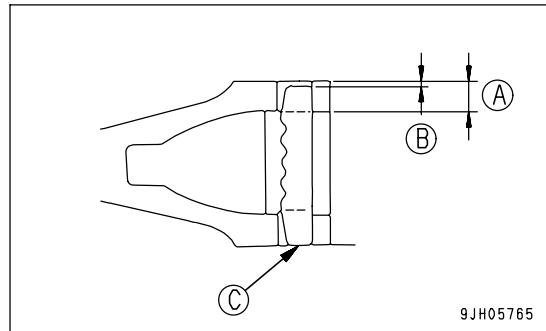
3. Use a hammer and drift to knock out lock pin (2). (If the drift is set against rubber pin lock (3) when it is hit, the rubber pin lock may break. Set it against the back of the pin.)
4. After removing lock pin (2) and rubber pin lock (3), check them.



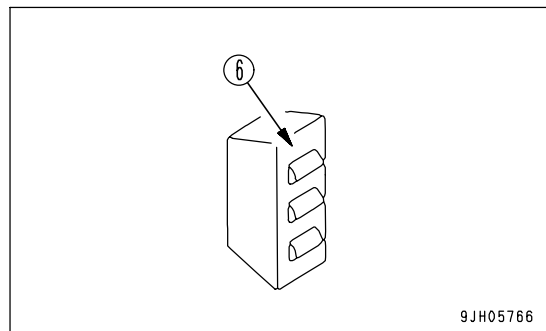
AM091280

If lock pin (2) and rubber pin lock (3) are used in the condition below, it will cause tooth (1) to come off during operation. Always replace them with new parts.

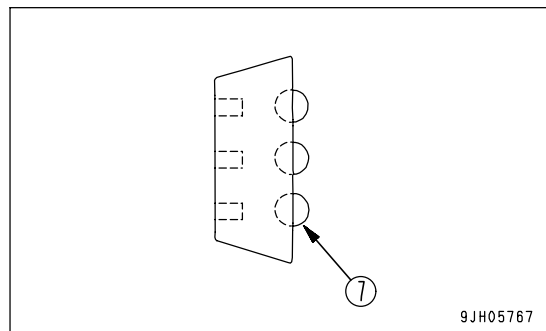
- The lock pin (2) is too short.
Dimension (B) is 1/3 or more of dimension (A) when locking pin (2) is aligned with bottom face (C).



- Rubber (6) of the rubber pin lock is cut and the steel ball is about to come out.



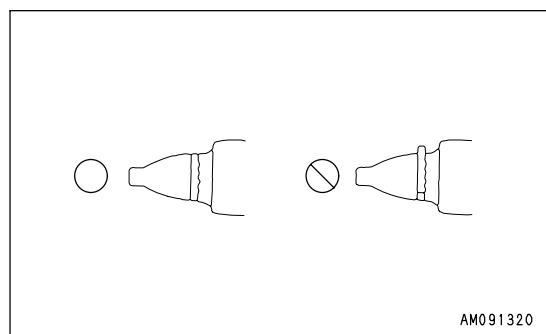
- Steel ball (7) sinks in when it is pushed by hand.



5. Clean the surface of adapter (4) and remove the soil with a knife.

6. Use your hand or a hammer to push rubber pin lock (3) into the hole of the adapter (4).

When doing this, be careful that the rubber pin lock (3) does not fly out from the adapter surface.



7. Clean the inside of teeth (1), then install it to adapter (4). If there is mud affixed to it or if there are protrusions, the teeth (1) will not enter the adapter properly, and there will not be proper contact at the mating portion.

8. Fit tooth (1) to adapter (4), and confirm that when the pointer is pressed strongly, the rear face of the hole for the pin of the teeth (1) is at the same level as the rear face of the hole for the pin of the adapter (4).

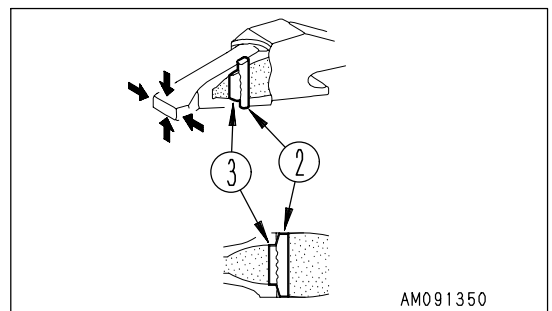
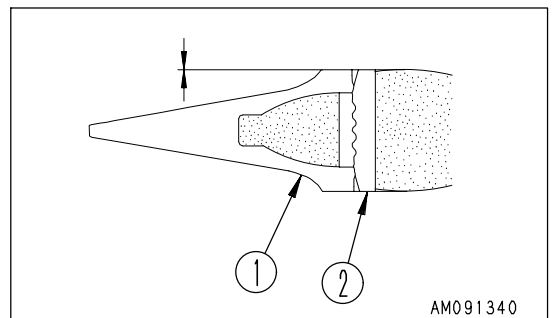
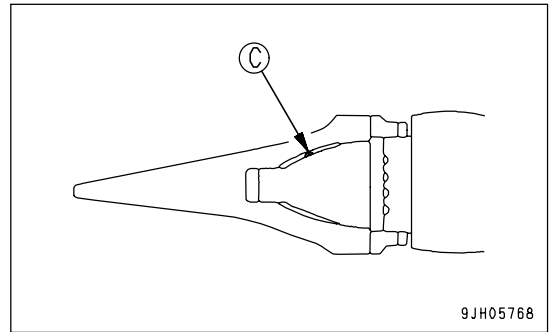
If the rear face of the pin hole of tooth (1) protrudes in front of the rear face of the pin hole of adapter (4), do not knock the pin in.

If this happens, there is something (C) preventing the tooth (1) from fitting completely in adapter (4), locate the problem and remove the obstruction. When tooth (1) fits completely in adapter (4), knock in lock pin (2).

9. Insert lock pin (2) in the pin hole in the tooth (1), and knock it in so that the top surface of lock pin (2) is the same height as the surface of tooth (1).

10. After replacing a bucket tooth, always check the following.

- 1) After the lock pin (2) has been knocked in completely, check that it is secured by the teeth (1) and surface.
- 2) Lightly hit lock pin (2) in the reverse direction from which it was hit in.
- 3) Lightly hit the tip of the teeth (1) from above and below, and hit its sides from right and left.
- 4) Confirm that rubber pin lock (3) and lock pin (2) are set as shown in the figure.



REMARK

If the tooth is turned, the wear will become uniform. This will extend the service life of the tooth and reduce the frequency of replacement.

When replacing the tooth, replace the rubber pin lock and lock pin with new parts at the same time. This will prevent the tooth from falling out.

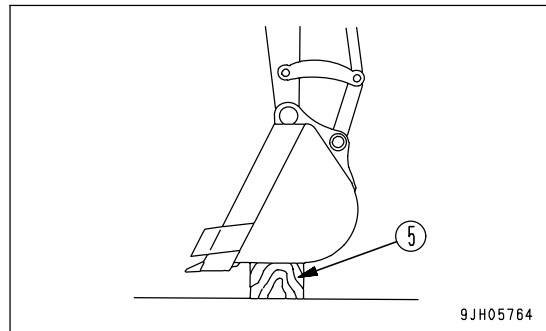
REPLACE BUCKET TEETH (HORIZONTAL PIN TYPE)

Replace the bucket teeth before the adapter starts to wear.

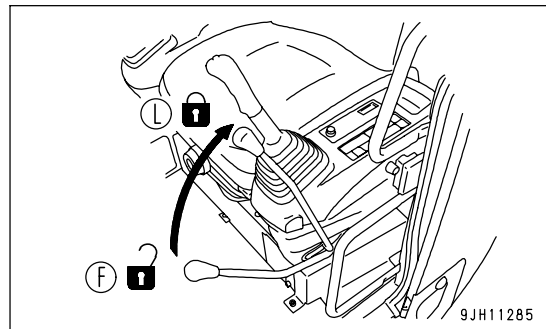
! WARNING

- It is dangerous if the work equipment moves by mistake when the teeth are being replaced.
Set the work equipment in a stable condition, then stop the engine and set the lock lever securely to LOCK position.
- The pins can be knocked out only with strong force, so there is a hazard that the pin may fly out. Check that there is no one in the surrounding area.
- There is a hazard that fragments will fly during the replacement work, so always wear protective equipment like protective eyeglasses and gloves.

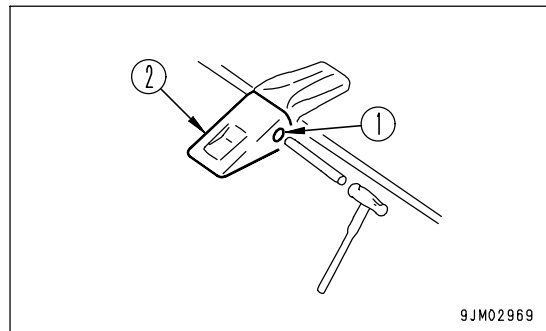
1. To make it possible to knock out pin (1) of tooth (2), put block (5) under the bottom of the bucket, and set so that the bottom surface of the bucket is horizontal.



2. Check that the work equipment is in a stable condition, then set the lock lever to LOCK position (L).



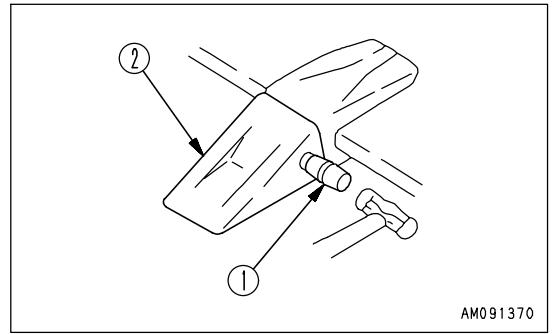
3. Place a bar on the head of pin (1), hit the bar with a hammer to knock out the pin, then remove tooth (2).



REMARK

- If the bucket teeth cannot be safely removed by this method, have your Komatsu distributor replace the bucket teeth.

4. Clean the mounting face. Fit a new tooth (2) in the adapter, push in pin (1) partially by hand, then lock it with a hammer to install the tooth to the bucket.

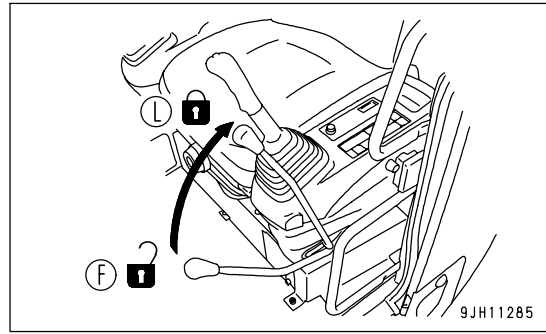


ADJUST BUCKET CLEARANCE

WARNING

It is dangerous if the work equipment is mistakenly moved when adjusting the bucket clearance.

Set the work equipment in a stable condition, stop the engine, then set lock lever securely to LOCK position (L).



1. Set the work equipment in the position shown in the diagram on the right, then stop the engine and set the lock lever to LOCK position (L).

2. Shift O-ring (1) of the linkage and measure the amount of clearance "a".

Measurement is easier if you move the bucket to one side (right side of the diagram) or the other so all the clearance can be measured in one place.

Use a gap (clearance) gauge for easy and accurate measurement.

3. Loosen 4 plate mounting bolts (2), and loosen plate (3).

The shim is a split type, so the operation can be performed without removing the bolts.

4. Remove shim (4) corresponding to the amount of clearance "a" measured above.

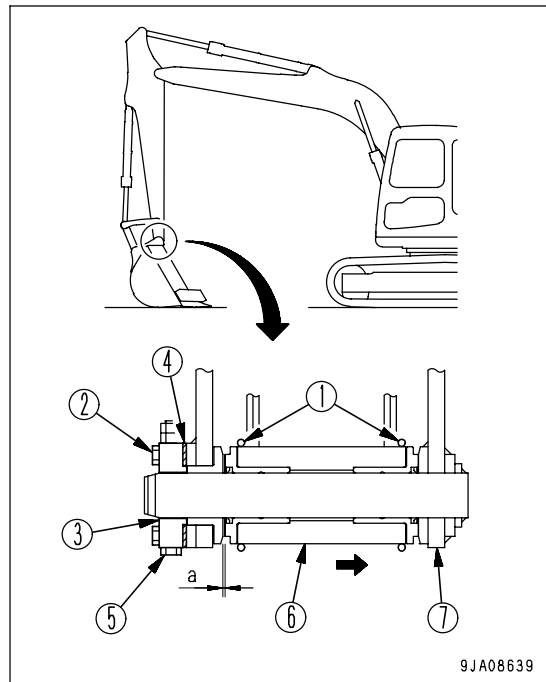
[Example]

In the case of clearance of 3 mm (0.118 in), remove two 1.0 mm (0.039 in) shims and one 0.5 mm (0.020 in) shim. Play becomes 0.5 mm (0.020 in). For shim (4), two types of 1.0 mm (0.039 in) and 0.5 mm (0.020 in) are used.

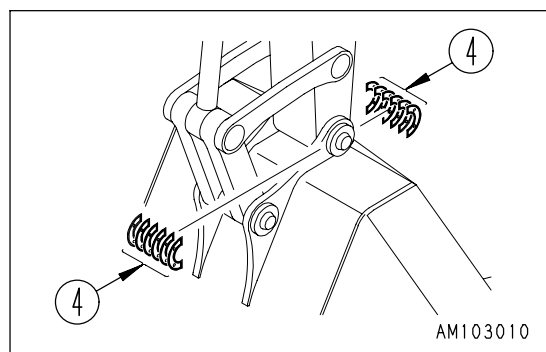
When clearance a is smaller than one shim, do not carry out any maintenance.

5. Tighten the 4 bolts (2).

If the bolts (2) are too stiff to tighten, pull out pin stopper bolt (5) for easier tightening.



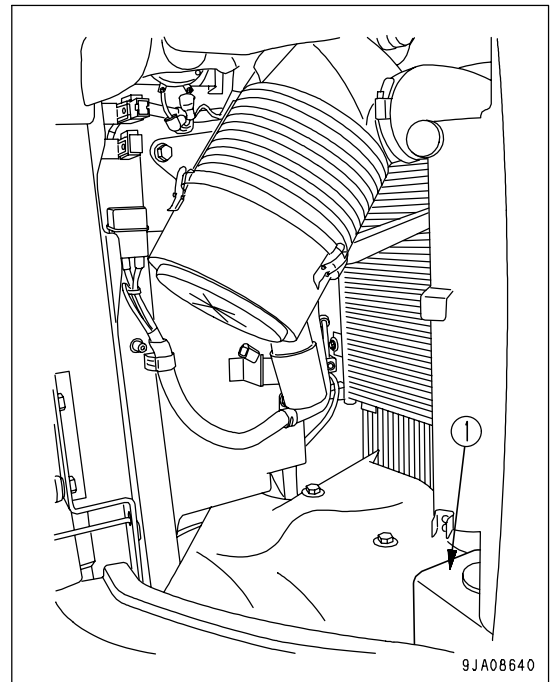
(6) Arm
(7) Bucket



CHECK WINDOW WASHER FLUID LEVEL, ADD FLUID

If there is air in the window washer fluid, check the level of the fluid in window washer tank (1). Add automobile window washer fluid if necessary.

When adding fluid, be careful not to let any dust get in.



Mixture Ratio of Pure Washer Fluid and Water

The proportion differs according to the ambient temperature, so dilute the washer fluid with water to the following proportions before adding.

Area, season	Proportions	Freezing temperature
Normal	Washer fluid 1/3: water 2/3	-10°C (14°F)
Winter in cold area	Washer fluid 1/2: water 1/2	-20°C (-4°F)
Winter in extremely cold area	Pure washer fluid	-30°C (-22°F)

There are 2 types depending on the freezing temperature:

-10°C (14°F) (general use) and -30°C (-22°F) (cold area use), select according to the area and season.

CHECK AND MAINTENANCE AIR CONDITIONER

Check Level of Refrigerant (gas)



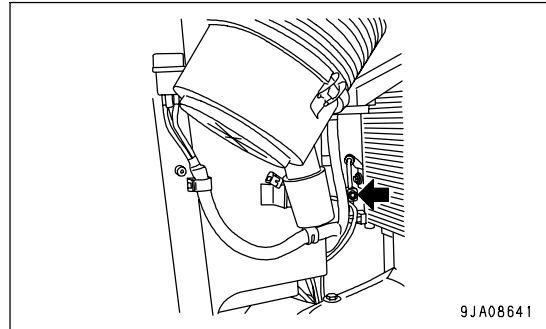
WARNING

If the refrigerant used in the air conditioner gets into your eyes or on your hands, it may cause loss of sight or frostbite. Do not touch the refrigerant. Never loosen any part of the refrigerant circuit.

Do not bring any open flame close to any point where the refrigerant gas is leaking.

If the refrigerant (gas) level is low, the cooling effect will become poor. When the engine is running at full throttle and the cooler is running at high speed, look at the sight glass (1) (inspection window) in the refrigerant hose mouthpiece to check the condition of the refrigerant gas (Hydrofluorocarbons HFC-134a) flowing in the refrigerant circuit.

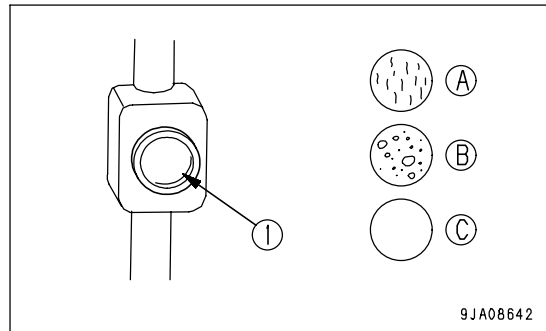
- (A) No bubbles in refrigerant flow: Suitable
- (B) Some bubbles in flow (bubbles pass continuously): Lack of refrigerant
- (C) Colorless, transparent: No refrigerant



9JA08641

REMARK

When there are bubbles, the refrigerant gas level is low, so contact your Komatsu distributors to have refrigerant added. If the air conditioner is run with the refrigerant gas level low, it will cause damage to the compressor.



9JA08642

Inspection During Off Season

Even during the off-season, operate the air conditioner for 3 to 5 minutes once a month to maintain the oil film at all parts of the compressor.

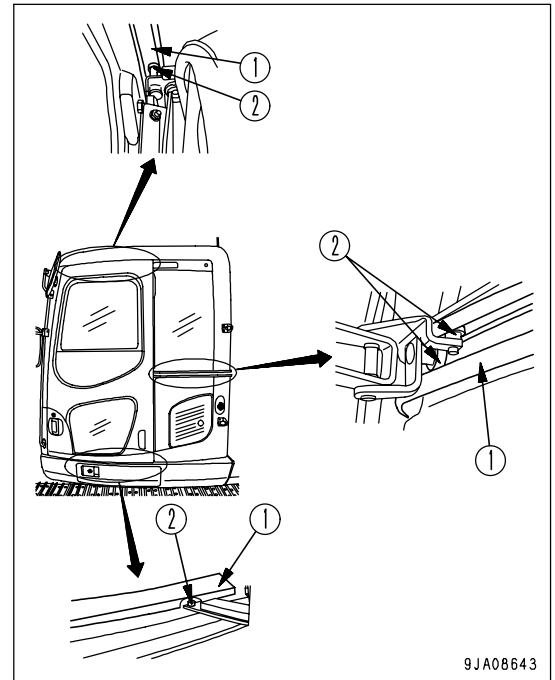
Inspection and Maintenance Items

Check, maintenance items	Content of check, maintenance	Guideline for maintenance time
Refrigerant (gas)	Charge amount	Twice a year (spring, autumn)
Air conditioner condenser	Clogged fins	Every 500 hours
Compressor	Operating condition	Every 4000 hours
V-belt	Damage, tension	Every 250 hours
Blower motor, fan	Operating condition (does it make abnormal noise?)	When required
Control mechanism	Operating condition (does it function normally?)	When required
Piping mounts	Mounting condition, looseness at tightening or connecting portions, leakage of gas, damage	When required

CHECK, CLEAN AND LUBRICATE CAB SLIDE DOOR RAIL AND ROLLER

Checking

When opening or closing the slide door, it may sometimes not slide smoothly due to mud stuck to the rail. In that case clean and lubricate slide door rail (1) and roller (2) at 3 points.



Cleaning

1. Open and close the door, and use a brush to remove any dirt from rail (1).
2. Use a cloth to wipe off any dirt from rail (1).

Greasing

NOTICE

Do not use high-viscosity oil for the lubricant. Use grease only.

1. Spray rail (1) and roller (2) thoroughly with lubricant.
2. After spraying with lubricant, slide the door and check that the door opens and closes smoothly.
If the movement is not smooth, contact your Komatsu distributor for repair.

REPLACE BREAKER CIRCUIT ADDITIONAL OIL FILTER ELEMENT

(if equipped)

WARNING

- After the engine is stopped, the parts and oil are at high temperature, so there is danger of burns. Wait for the temperature to go down before starting the operation.
- When removing the cap from oil filler port (F), turn it slowly to release the internal pressure, then remove it carefully.

NOTICE

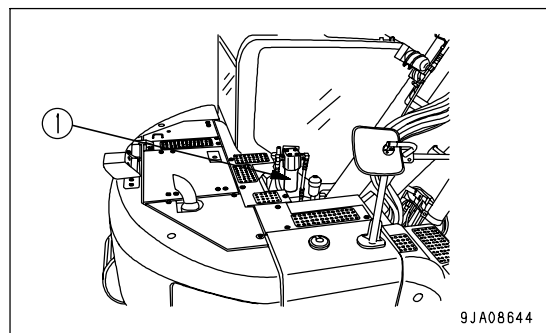
For details of the replacement interval for the element, see "MAINTENANCE INTERVAL FOR HYDRAULIC BREAKER (PAGE 4-17)".

- Prepare a container to catch the oil.
 1. Place a container under the filter element to catch the oil.
 2. Turn filter case (1) to the left to remove it, then take out element (2).
 3. Remove plug (3) from filter case (1).
 4. Clean the parts that were removed and install new element (2).
 5. When installing filter case (1) and plug (3), tighten to the tightening torque given below.

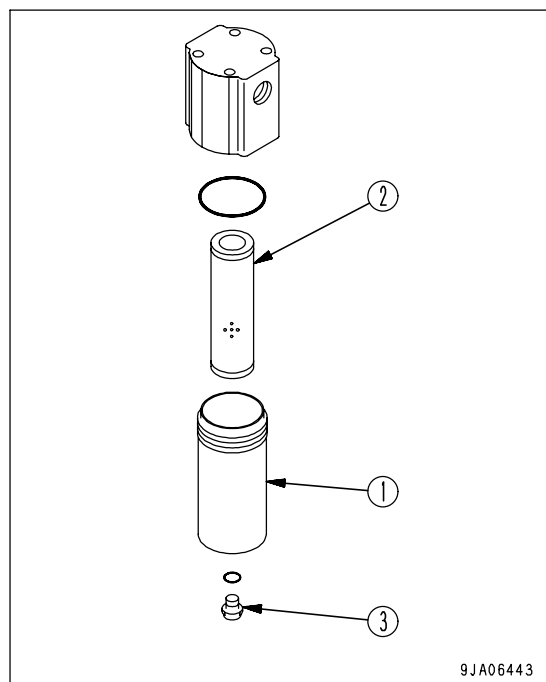
Tightening torque

Case (1): 58.8 to 78.5 Nm (6 to 8 kgm, 43.4 to 57.9 lbft)

Plug (3): 39.2 to 49.0 Nm (4 to 5 kgm, 28.9 to 36.2 lbft)



9JA06644



9JA06443

WASH WASHABLE FLOOR

With the washable floor, it is possible to flush out the dirt on the cab floor directly with water.

! WARNING

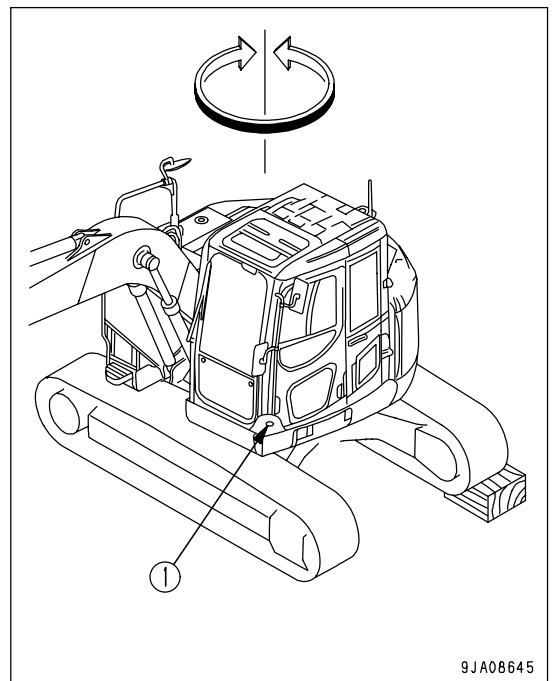
- When setting the machine at an angle, use strong blocks to stabilize the machine and be extremely careful when performing the operation.
- If the control levers are touched by mistake, the machine may suddenly move, and this may lead to a serious accident. Always set the lock lever securely to LOCK position before standing up from the operator's seat.

NOTICE

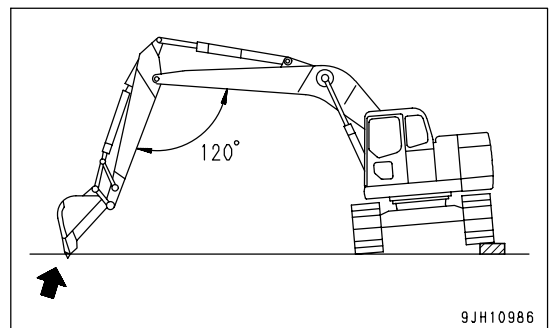
While cleaning the cab floor, take care so that the connector, air conditioner main body and filters may not be splashed with water.

Method of Washing

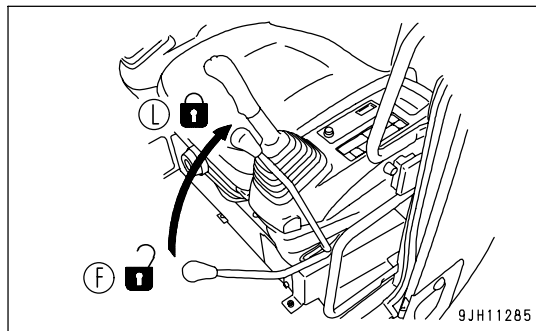
1. Set the machine at an angle.
For details, see "Method of Setting Machine at Angle (PAGE 4-40)"
2. Swing the upper structure slowly so that water drain holes (1) in the cab floor are at a low position.



3. Lower the work equipment to the ground and set the machine in a stable condition.



4. Set the lock lever to the LOCK position (L) and stop the engine.



5. Remove the floor mat.

6. Flush out the dirt on the floor directly with water through water drain hole (1).

7. After completing the washing operation, install the floor mat.

Method of Setting Machine at Angle

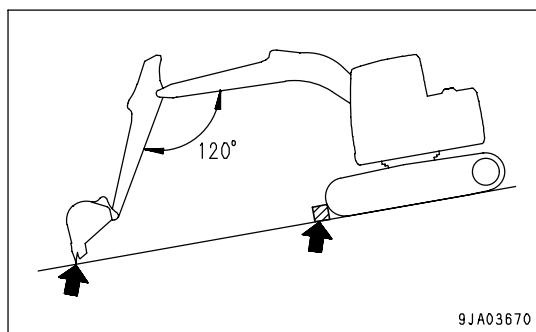
Method Using Slope



Select a solid and smooth slope.

Always put blocks under the track to prevent the machine from moving, and dig the work equipment into the ground.

1. Stop the machine so that the work equipment is on the downhill side.
2. Put blocks under the track and dig the work equipment into the ground.



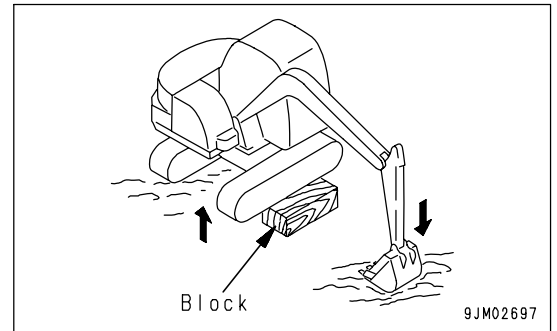
Method Using Block

 **WARNING**

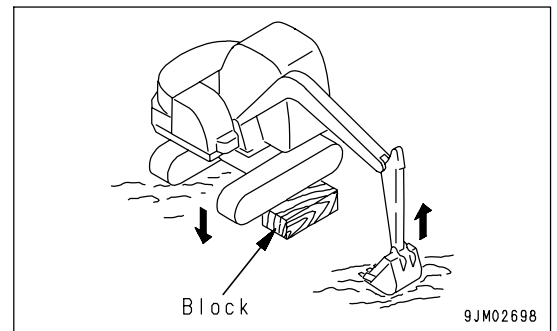
Select a firm flat place.

Put strong blocks under the undercarriage to stabilize the machine and be extremely careful when performing the operation.

1. Raise the chassis with the boom and arm.
When doing this, operate the levers slowly.
2. Insert a block securely between the ground surface and the raised track and make sure that the machine is stable.



3. Raise the boom slowly and lower the machine.
When doing this, check that the machine is always stable.



CHECK GAS SPRING



WARNING

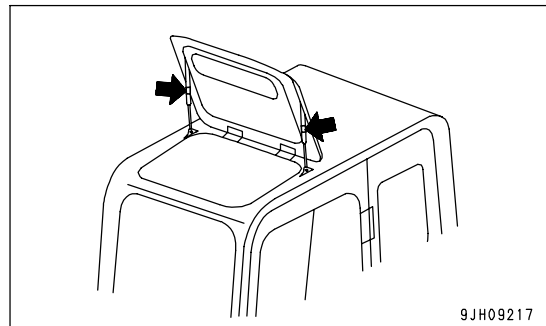
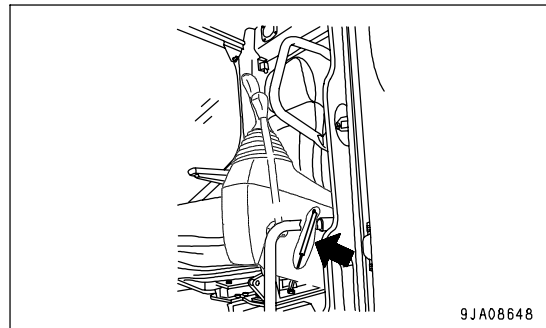
The gas spring is charged with high-pressure nitrogen gas, so mistaken operation may cause an explosion, which will lead to serious injury or damage. When handling the gas spring, always observe the following.

- Do not disassemble the gas spring.
- Do not bring it near open flame or dispose of it in fire.
- Do not make holes in it or weld it.
- Do not hit it, roll it, or subject it to any impact.
- When disposing of the gas spring, the gas must be released. Contact your Komatsu distributor to have this work performed.

There are gas springs at 2 places: inside the left console and at the cab roof window (left and right, 2 places).

In the following cases, ask your Komatsu distributor to perform inspection, repair, and replacement.

- When pulling up the lock lever or when opening the cab roof window, and it cannot be opened with light operating effort.
- When the lock lever cannot be held at LOCK position and the cab roof window cannot be held open.
- When oil or gas is found to be leaking from the gas spring.



BLEEDING AIR FROM HYDRAULIC SYSTEM

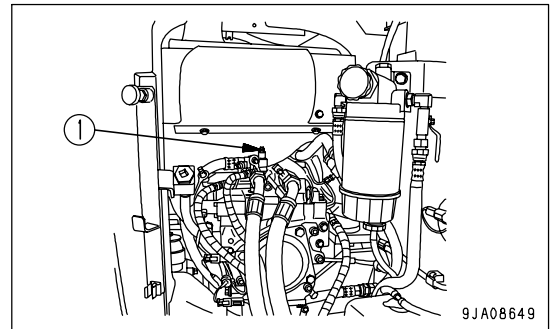
For details, see "STARTING ENGINE (PAGE 3-137)". If it is necessary to refer to the items for starting the engine, moving the machine off, steering, or stopping, see OPERATION section.

1. Bleeding air from pump

NOTICE

If the pump is operated without filling the pump case with hydraulic oil, there is danger that the pump may be prematurely damaged. Be sure to bleed the air completely.

- 1) Open the pump room door on the right side of the machine.
- 2) Loosen air bleed plug (1) installed to the drain port and check that oil oozes out.
- 3) After completion of the air bleeding operation, tighten the air bleed plug (1).



NOTICE

If the engine is run at high speed immediately after startup or a cylinder is pushed up to its stroke end, air taken inside the cylinder may cause damage to the piston packing.

2. Starting engine

Start the engine, referring to "STARTING ENGINE (PAGE 3-137)".

Run the engine at Low idle (MIN) for 10 minutes after starting, then start operations.

3. Bleeding air from cylinders

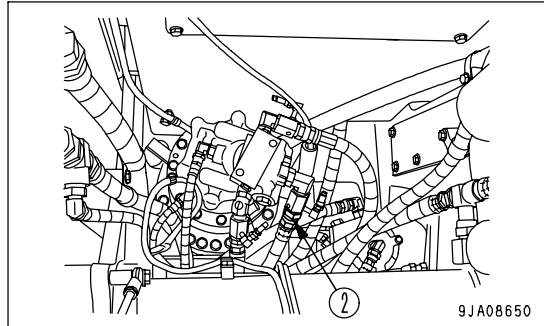
- 1) Run the engine at Low idle (MIN), and extend and retract each cylinder 4 to 5 times, taking care that a cylinder is not moved to the end of its stroke. (Stop the cylinder approximately 100 mm {3.9 in} short of its stroke end)
- 2) Next, operate each cylinder 3 to 4 times to the end of its stroke.
- 3) Finally, operate each cylinder 4 to 5 times to the end of its stroke to completely remove the air.

4. Bleeding air from swing motor
(Carry out only if the oil inside the swing motor case has been drained.)

NOTICE

If the air is not bled from the swing motor, the motor bearings may be damaged.

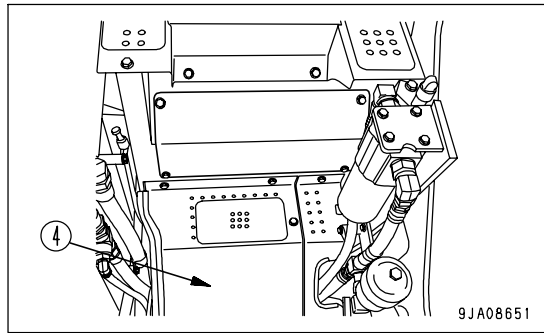
- 1) Remove cover (4) between the hydraulic tank and the operator's cab.
- 2) Run the engine at low idling, loosen mouthpiece (2) at the motor S port, and check that oil oozes out from mouthpiece (2) of the motor S port.



NOTICE

Do not operate the swing under any circumstances.

- 3) If no oil oozes out, stop the engine, remove mouthpiece (2) from the motor S port, then fill the inside of the motor case with hydraulic oil.

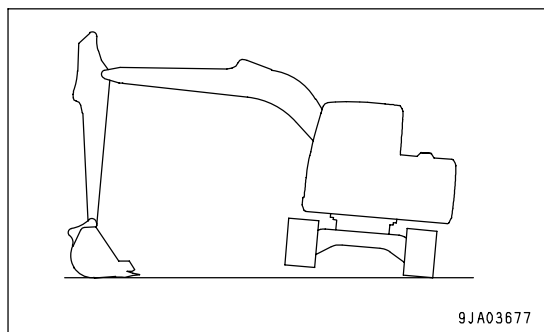
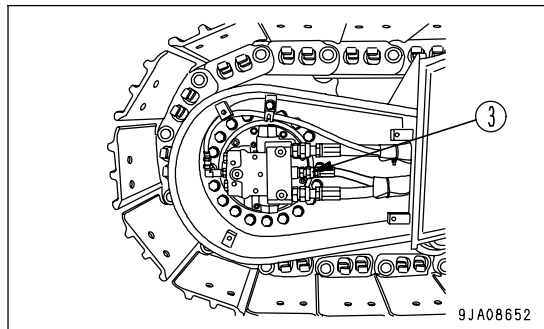


- 4) After completing the air bleed operation, tighten mouthpiece (2) of the motor S port.
- 5) Run the engine at low idle, and slowly swing the upper structure at least 2 times uniformly to the left and right.

5. Bleeding air from travel motor

(only when oil inside travel motor case has been drained)

- 1) Run the engine at low idle, remove hose (3) from port C, then when the oil has flowed out, tighten it again.
- 2) Run the engine at Low idle (MIN) and swing the work equipment 90 deg. to bring it to the side of the track.
- 3) Jack up the machine until the track is raised slightly from the ground. Rotate the track under no load for 2 minutes. Repeat this procedure on both the left and right sides, and rotate the track equally both forward and in reverse.



6. Bleeding air from attachment (when installed)

NOTICE

If the attachment maker specifies an air bleeding procedure for the attachment itself, follow the specified procedure to bleed the air.

If a breaker or other attachment has been installed, run the engine at low idle and operate the attachment pedal repeatedly (approximately 10 times) until the air has been bled from the attachment circuit.

NOTICE

- After completing the air bleeding operation, stop the engine, and leave the machine for 5 minutes before starting operations. This will remove the air bubbles in the oil inside the hydraulic cylinders.
- Check that there is no leakage of oil and wipe off any oil that has been spilled.

INSPECTION OF ADDITIONAL WATER SEPARATOR AND CLEANING OF CASING INTERIOR

(Only poor fuel arrangement specification machines)



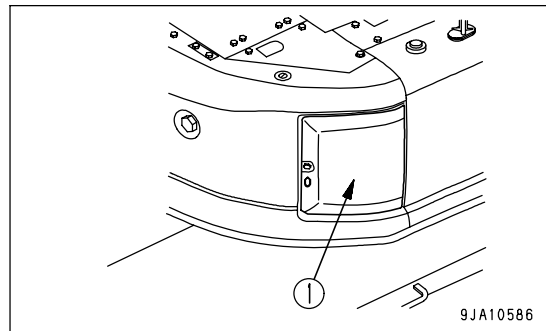
WARNING

- When draining fuel from the water separator, prepare for a container used for catching drained oil and take care not to spill fuel. Spilt fuel can cause fire, so wipe it off completely.
- Fuel can pose danger as it is flammable. Never bring open flame near fuel.

NOTICE

- When performing inspection and maintenance of the fuel system, the particularly careful not to let any dirt or dust get in. If there is any dirt or dust around the fuel system, clean it off thoroughly with fuel before starting the operation.
- To prevent dirt or dust from getting into the fuel circuit, remove all dirt and dust from the surrounding area before starting the operation.
- Prepare a container to catch drain oil.

1. Open pump room door (1) on the right side of the machine.



2. Put a container under drain hose (2) to catch drained oil.

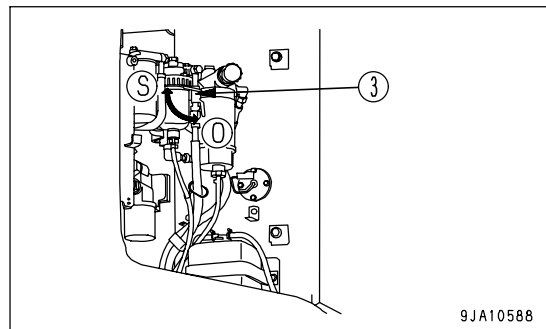
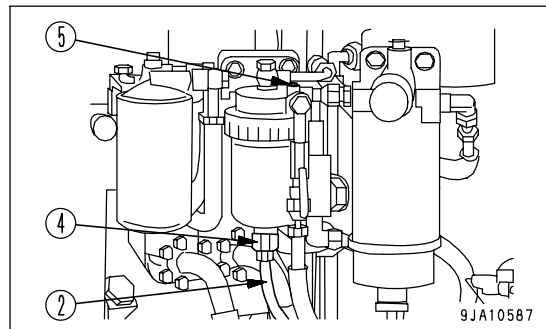
3. Turn fuel valve (3) to SHUTOFF position (S).

4. Loosen water drain plug (4) to completely drain fuel in the casing.

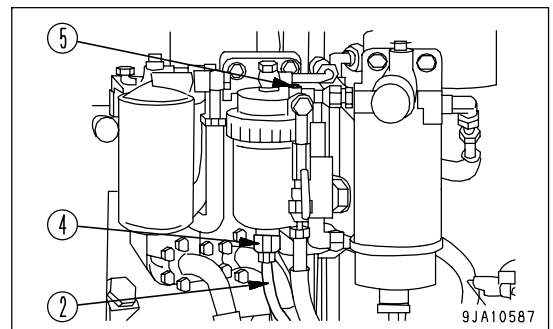
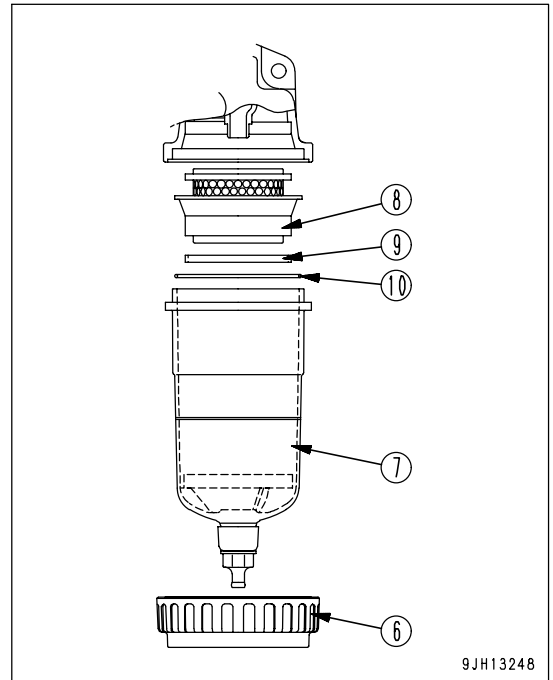
5. If fuel is not drained, remove air intake plug (5). (Width across flats: 14 mm)

Then fuel is drained through drain hose (2).

6. Disconnect drain hose (2).



7. Using the filter wrench, loosen ring nut (6) to remove casing (7).
8. Remove screen (8) from the water separator table, pulling the screen out downward.
9. Wash screen (8) with clean fuel.
At that time, also check it for damage and if any, replace it with a new one.
10. Wash the interior of casing (7) for damage, a crack or so bad a contamination as to make it impossible to identify the location of float (9), and if any of them is found, replace the casing with a new one.
11. Install screen (8) on the water separator table.
12. Replace O-ring (10) with a new one.
13. Screw in water drain plug (4).
Tightening torque: 1.5 to 2.5 Nm (0.15 to 0.25 kgm, 1.1 to 1.8 lbf)
14. Put float (9) in casing (7) the way it does not tilt, and then pour clean fuel in the casing calmly.
15. Install casing (7) on the water separator table and tighten ring nut (6).
Tightening torque: 40 to 44 Nm (4.0 to 4.4 kgm, 29.5 to 32.5 lbf)
16. Connect drain hose (2).
17. In case air intake plug (5) has been loosened to drain fuel, tighten it now.
Tightening torque: 8.0 to 12.0 Nm (0.8 to 1.2 kgm, 5.8 to 8.7 lbf)
18. Turn fuel valve (3) to OPEN position (O).
19. Close pump room door (1) on the right side of the machine.



20. When the whole work is finished, bleed air from the water separator the same way as when replacing the fuel filter cartridge.
For the air bleeding procedure, see "Procedure for Bleeding Air (PAGE 3-197)".

CHECK BEFORE STARTING

For details of the following items, see "Checks Before Starting (PAGE 3-117)" in OPERATION section.

- Check coolant level, add coolant
- Check oil level in engine oil pan, add oil
- Check fuel level, add fuel
- Check oil level in hydraulic tank, add oil
- Check dust indicator
- Check for water and sediment in water separator, drain water
- Drain water and sediment from fuel tank
- Check additional water separator, drain water and sediment
- Check electric wiring
- Check working lamp switch
- Check function of horn

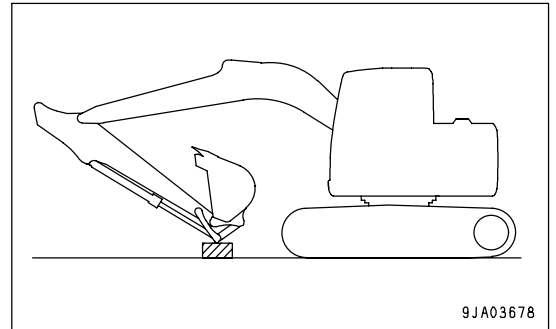
EVERY 100 HOURS MAINTENANCE

LUBRICATION

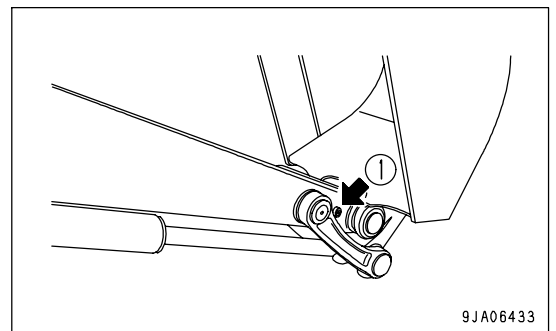
NOTICE

- If any abnormal noise is generated from any greasing point, perform greasing regardless of the greasing interval.
- Perform greasing every 10 hours for the first 50 hours on a new machine.
- After the machine was subjected to jobs in the water, be sure to grease the wet pins.

1. Set the machine to the greasing posture shown on the right, lower the work equipment to the ground, then stop the engine.
2. By using a grease pump, pump in grease through the grease fittings shown by arrows.
3. After greasing, wipe off any old grease that was pushed out.



(1) Arm-Bucket coupling pin (1 place)

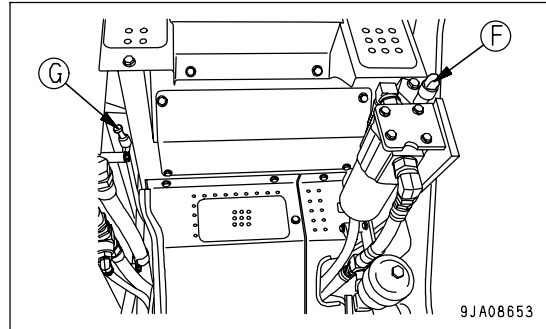


CHECK SWING MACHINERY CASE OIL, ADD OIL

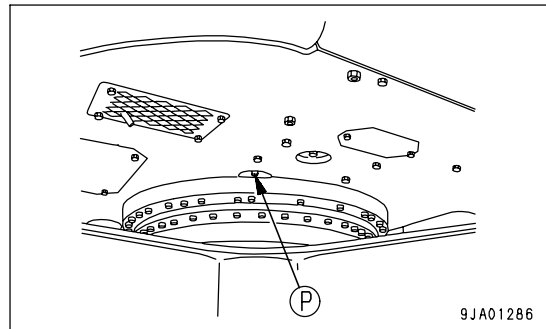
! WARNING

The parts and oil are at high temperature after the engine is stopped, and may cause serious burns. Wait for the temperature to go down before starting the operation.

1. Remove dipstick (G) and wipe the oil from the dipstick with a cloth.
2. Fully insert dipstick (G) into the filler pipe.
3. When dipstick (G) is pulled out, if oil level is between the H and L marks of the gauge, oil level is proper.
4. If the oil is not up to the L mark on dipstick (G), remove the from oil filler port (F) and add oil.



5. If the oil level exceeds the H mark on the oil level gauge, loosen drain plug (P) to drain the excess oil, after swinging the upper structure so that drain plug (P) comes between the right and left tracks.
6. After checking oil level or adding oil, insert the dipstick into the hole and install oil filler cap.



EVERY 250 HOURS MAINTENANCE

CHECK OIL LEVEL IN FINAL DRIVE CASE, ADD OIL

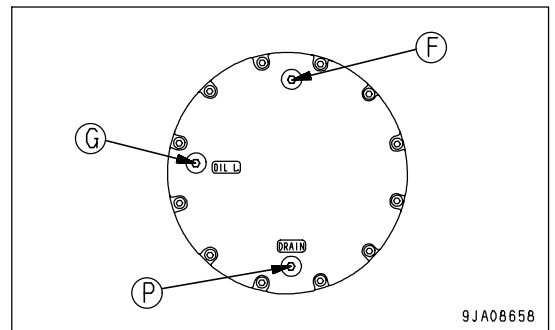
! WARNING

- The oil is at high temperature immediately after the machine has been operated. Wait for the oil to cool down before starting the operation.
- If there is still pressure remaining inside the case, the oil or plug may fly out. Loosen the plug slowly to release the pressure.

- Prepare a container to catch drained oil.
- Prepare a hexagon wrench.

The diagram on the right shows the left final drive case.

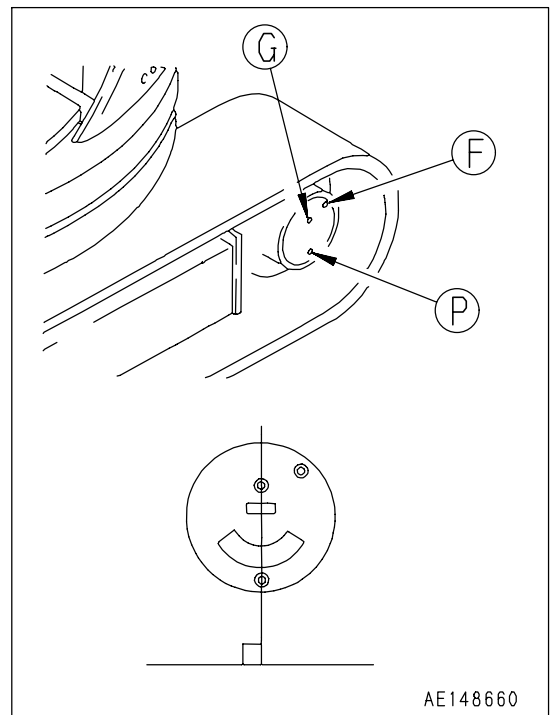
1. Set so that plug (F) is at the top, with plug (F) and plug (P) perpendicular to the ground.
2. Using a hexagonal wrench, remove plug (G) and check that the oil level is within a range from the bottom of the plug hole to a point 10 mm (0.4 in) below it.
3. If the oil level is low, add oil through the hole of plug (F). Add oil until oil overflows from the hole of plug (G).
4. After checking, install plugs (F) and (G).



Large-capacity Final Drive

(If equipped for PC138US)

1. Set so that plug (G) is at the top, with plug (G) and plug (P) perpendicular to the ground.
2. Remove plug (G) with a hexagonal wrench. Oil level should be near the bottom of the plug hole (G).
3. If the oil level is low, use a hexagonal wrench to remove plug (F), then add oil through the hole of plug (F). Add oil until the oil overflows from the hole in plug (G).
4. After checking the oil level, install plugs (F) and (G).



CHECK LEVEL OF BATTERY ELECTROLYTE

Perform this procedure before operating the machine.

 **WARNING**

- Do not use the battery if the battery electrolyte level is below LOWER LEVEL line. This will accelerate deterioration of the inside of the battery and reduce the service life of the battery. In addition, it may cause an explosion.
- The battery generates flammable gas and there is danger of explosion, do not bring open flame or sparks near the battery.
- Battery electrolyte is dangerous. If it gets in your eyes or on your skin, wash it off with a large amount of water and consult a doctor.
- When adding distilled water to the battery, do not allow the battery electrolyte to go above UPPER LEVEL line. If the electrolyte level is too high, it may leak and cause damage to the paint surface or corrode other parts.

NOTICE

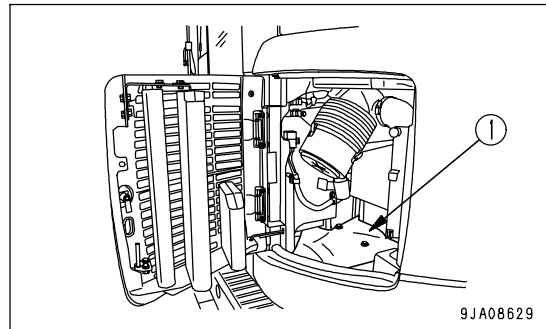
If there is a fear that the battery water may freeze after refilling with purified water (e.g. commercially available replenishment water for a battery), do the replenishment before the day's work on the next day.

Inspect the battery electrolyte level at least once a month and follow the basic safety procedures given below.

When Checking Electrolyte Level from Side of Battery

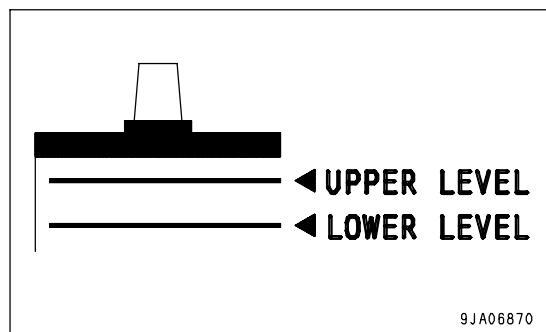
If it is possible to check the electrolyte level from the side of the battery, check as follows.

1. Open the battery room door, then move vinyl cover (1) (installed on top of the battery).



2. Use a wet cloth to clean the area around the electrolyte level lines and check that the electrolyte level is between UPPER LEVEL (U.L.) and LOWER LEVEL (L.L.) lines.

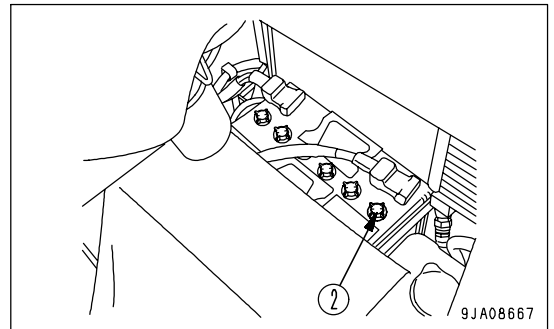
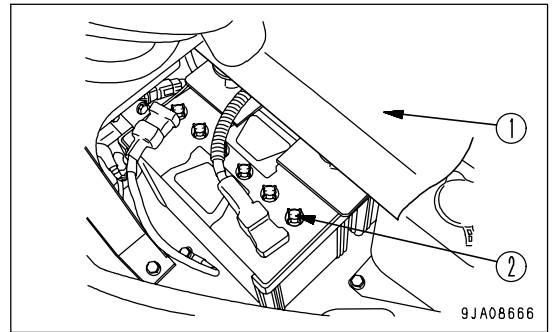
If the battery is wiped with a dry cloth, static electricity may cause a fire or explosion.



3. If the electrolyte level is below the midway point between UPPER LEVEL (U.L.) and LOWER LEVEL (L.L.) lines, remove cap (2) and add purified water (e.g. commercially available replenishment water for a battery) to U.L. line.
4. After adding distilled water, tighten cap (2) securely.

REMARK

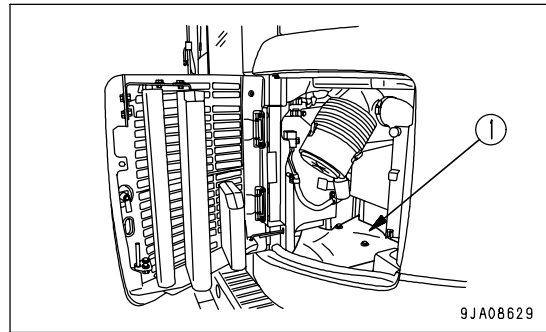
If distilled water is added to above UPPER LEVEL (U.L.) line, use a syringe to lower the level to UPPER LEVEL (U.L.) line. Neutralize the removed fluid with baking soda (sodium bicarbonate), then flush it away with a large amount of water or consult your Komatsu distributor or battery maker.



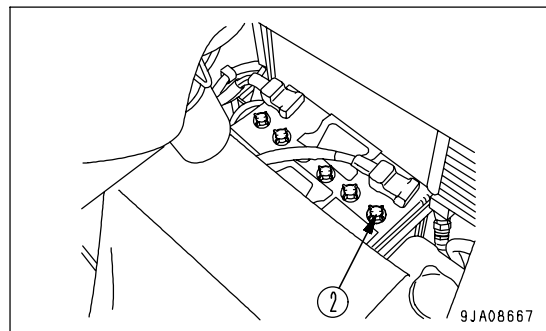
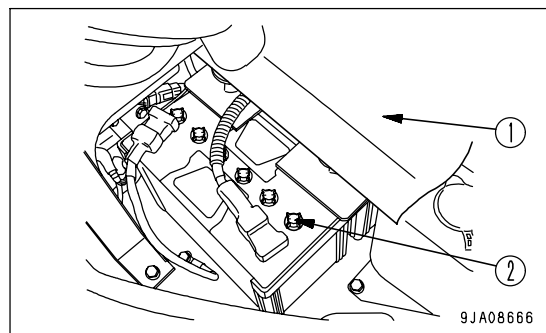
When it is Impossible to Check Electrolyte Level from Side of Battery

If it is impossible to check the electrolyte level from the side of the battery, or there is no display of UPPER LEVEL line on the side of the battery, check as follows.

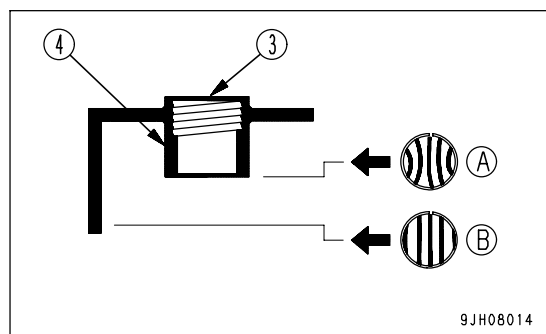
- 1. Open the battery room door, then move vinyl cover (1) (installed on top of the battery).



- 2. Remove cap (2) at the top of the battery, look through water filler port (3), and check the electrolyte surface. If the electrolyte does not reach sleeve (4), add purified water (e.g. commercially available replenishment water for a battery) so that the level reaches the bottom of the sleeve (UPPER LEVEL line) without fail.



- (A) Suitable level: Electrolyte level is up to bottom of sleeve, so surface tension causes electrolyte surface to bulge and poles appear bent.
 - (B) Low: Electrolyte level is not up to bottom of sleeve, so poles appear straight and not bent.
- 3. After adding distilled water, tighten cap (2) securely.



REMARK

If water is added to above the bottom tip of the sleeve, use a pipette to remove electrolyte. Neutralize the removed electrolyte with sodium bicarbonate, then flush it away with a large amount of water. If necessary, contact your Komatsu distributor or your battery maker.

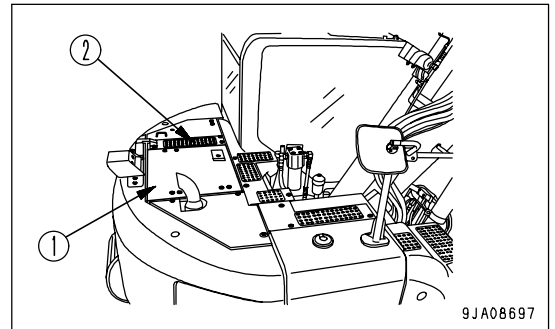
When it is Possible to Use Indicator to Check Electrolyte Level

If it is possible to use an indicator to check the electrolyte level, follow the instructions given.

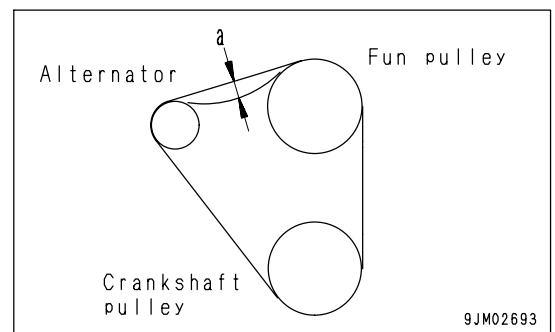
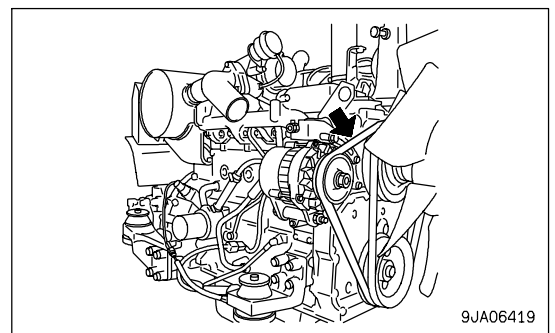
CHECK AND ADJUST COOLING FAN BELT TENSION

Checking

1. Open the engine hood (1) and remove or Step (2).

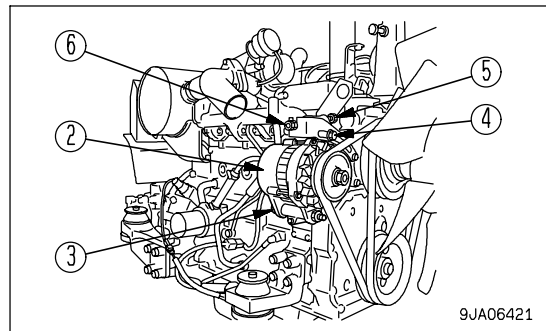
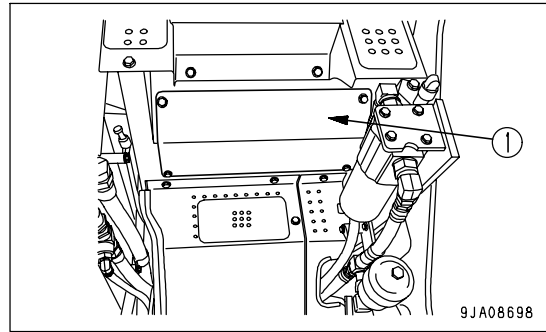


2. Deflection a should be 7-10 mm (0.3-0.4 in) when the belt is pressed with the thumb with a force of approx. 58.8 N (6 kg) at a point midway between the alternator pulley and fan pulley.



Adjustment

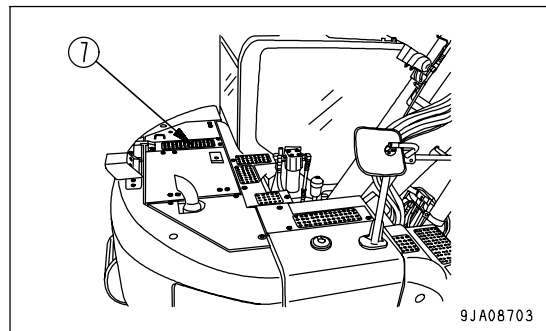
1. Remove cover (1) between the hydraulic tank and the operator's cab.
2. Loosen mounting bolt (3) of alternator (2).
3. Loosen alternator lock bolt (4).
4. Turn tension bolt (5) of alternator (2) in the direction to loosen it and adjust so that the belt tension is 7-10 mm (0.3-0.4 in) (approx. 58.8 N (6 kg)).
When doing this, do not touch double nut (6).
5. Tighten mounting bolt (3) and lock bolt (4).



6. Install cover (1) and step (7).

NOTICE

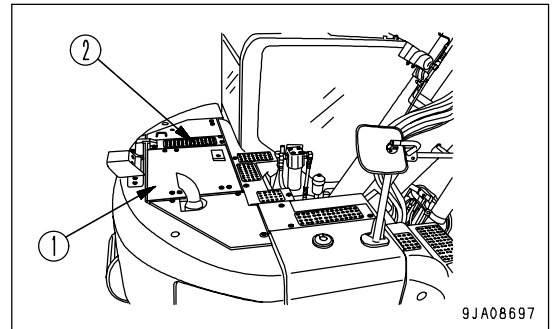
- Check each pulley for damage, wear of the V-groove, and wear of the V-belt. In particular, be sure to check that the V-belt is not touching the bottom of the V-groove.
- If the belt is stretched and there is no allowance for adjustment, or if it is cut or cracked, please contact your Komatsu distributor for replacement.



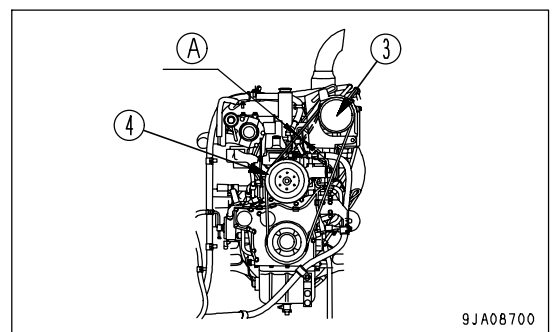
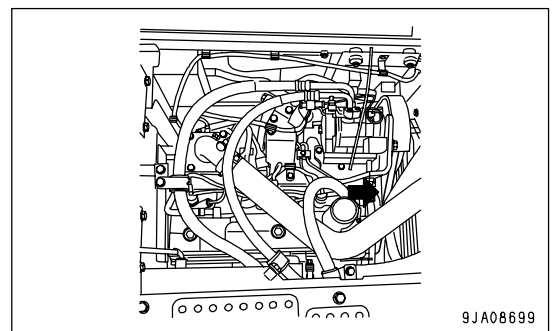
CHECK AIR CONDITIONER COMPRESSOR BELT TENSION, ADJUST

Checking

1. Open the engine hood (1) and remove or Step (2).

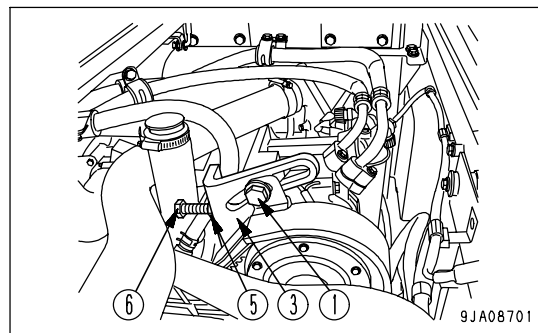


2. Deflection (A) should be 5-8 mm (0.2-0.3 in) when the belt is pressed with the thumb with a force of approx. 58.8 N (6 kg) at a point midway between compressor pulley (3) and fan pulley (4).



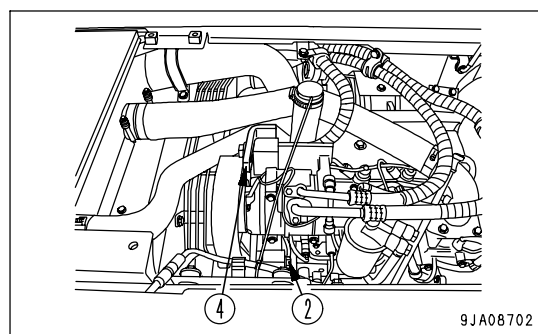
Adjustment

1. Loosen bolts (1) and (2).
 - Bracket (4) holds the compressor in place. When bolts (1) and (2) are loosened, bracket (4) moves with the bolt (2) securing position as a fulcrum.
2. Loosen nut (5) attached to the fixed bracket (3) and then tighten bolt (6).
 - Tighten bolt (6) so that the deflection of the belt will be 5 to 8 mm (0.2 to 0.3 in) (approx. 58.8N (6 kg)).
3. Tighten bolts (1) and (2) to secure bracket (4).
4. Loosen bolt (6) to remove from bracket (4).
5. Tighten nut (5).



NOTICE

- Check each pulley for damage, wear of the V-groove, and wear of the V-belt. In particular, be sure to check that the V-belt is not touching the bottom of the V-groove.
- In case any of the following occurs, ask the Komatsu distributor in your territory to replace the belts with new ones.
 - The fan belt has elongated, leaving little allowance for adjustment.
 - A cut or crack is found on the belt.
 - Slipping or creaking sound is heard coming from the belt.
- When the new V-belt is set, readjust it after 1 hour of operation.



EVERY 500 HOURS MAINTENANCE

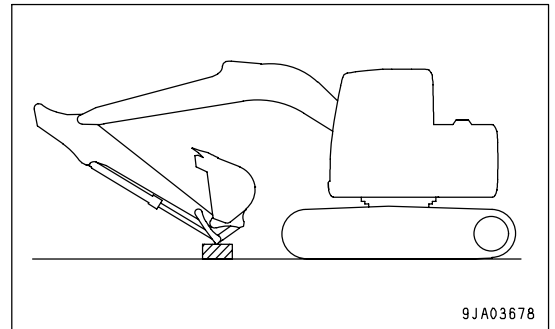
Maintenance for every 100 and 250 hours service should be performed at the same time.

LUBRICATION

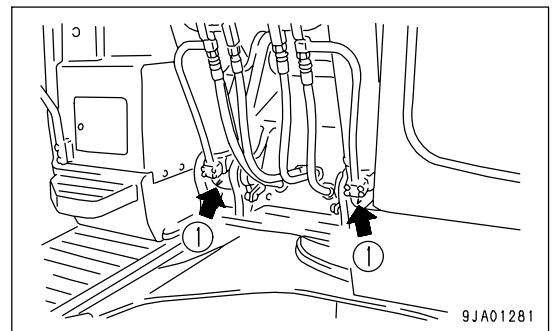
NOTICE

- If any abnormal noise is generated from any greasing point, perform greasing regardless of the greasing interval.
- Perform greasing every 10 hours for the first 50 hours on a new machine.
- After the machine was subjected to jobs in the water, be sure to grease the wet pins.

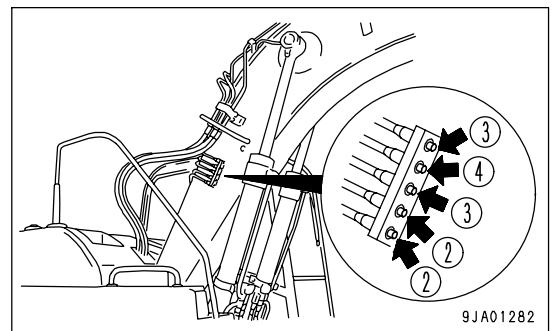
1. Set the machine to the greasing posture shown on the right, lower the work equipment to the ground, then stop the engine.
2. By using a grease pump, pump in grease through the grease fittings shown by arrows.
3. After greasing, wipe off any old grease that was pushed out.



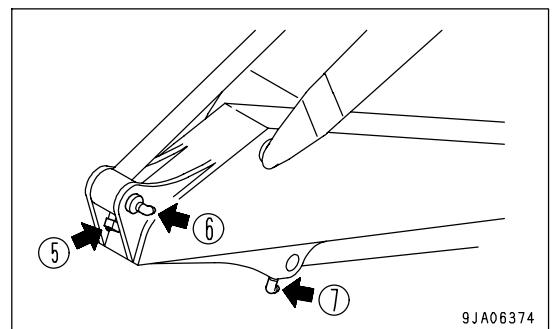
(1) Boom cylinder foot pin (2 places)



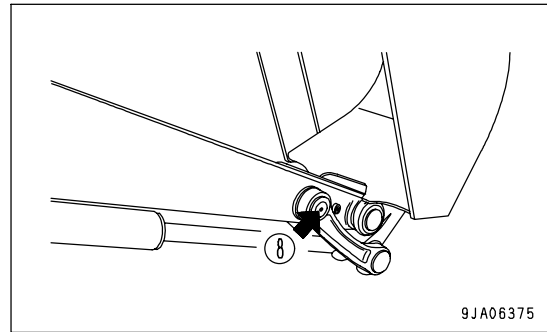
- (2) Boom foot pin (2 places)
- (3) Boom cylinder rod end pin (2 places)
- (4) Arm cylinder foot pin (1 place)



- (5) Boom - Arm coupling pin (1 place)
- (6) Arm cylinder rod end pin (1 place)
- (7) Bucket cylinder foot pin (1 place)

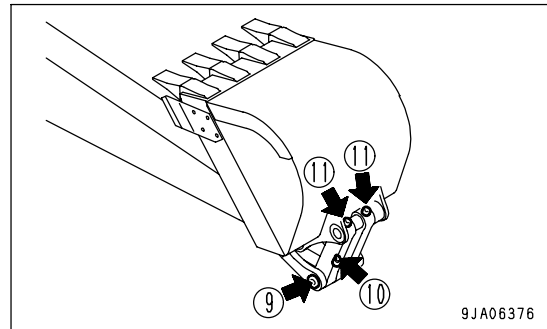


(8) Arm - Link coupling pin (1 place)

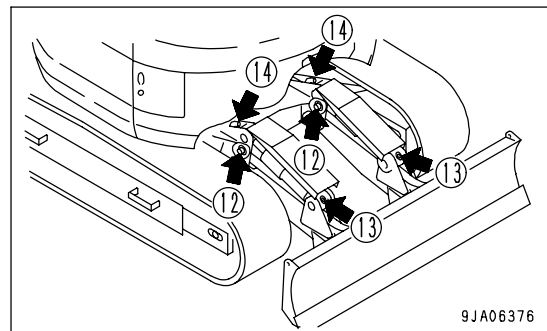


(9) Link connecting pin (1 place)
 (10) Bucket cylinder rod end (1 place)
 (11) Bucket-link connecting pin (2 places)

If greasing cannot be carried out with a tube type of nozzle, use a flexible type nozzle to carry out greasing.



(12) Blade connecting pin (2 places)
 (13) Blade cylinder foot pin (2 places)
 (14) Blade cylinder rod end pin (2 places)



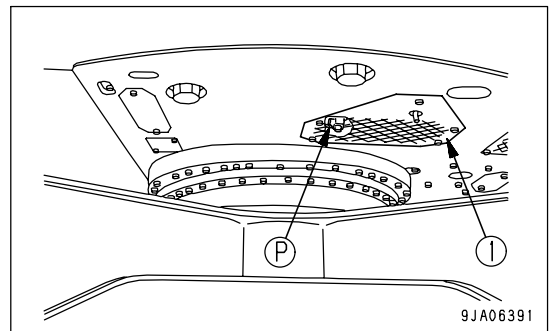
CHANGE OIL IN ENGINE OIL PAN, REPLACE ENGINE OIL FILTER CARTRIDGE

! WARNING

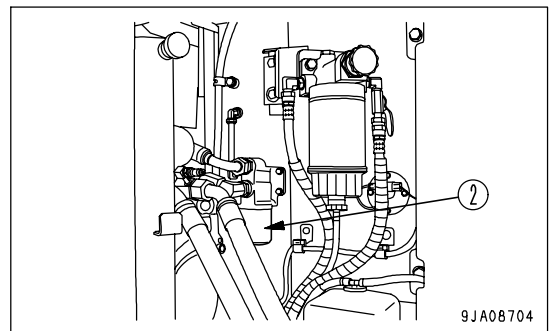
Immediately after the engine is stopped, its parts and oil are still very hot, and may cause burn injury. Accordingly, wait until they have cooled down before starting the work.

- Oil pan refill amount: 11 liters (2.91 US gal)
- Prepare a filter wrench

1. Remove undercover (1) at the bottom of the machine, then set the container under drain valve (P) to catch the oil.
2. Loosen drain valve (P) and drain the oil. Be careful not to get oil on yourself.
3. Tighten drain valve (P).



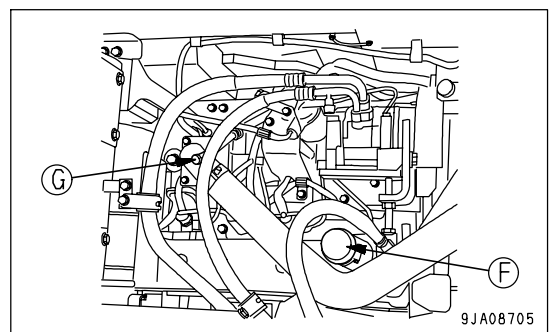
4. Open the pump room on the right side of the machine, then using the filter wrench, turn filter cartridge (2) to the left to remove it.
5. Clean the filter holder, fill the new filter cartridge with clean oil, coat the thread and packing portion of the new filter cartridge with oil (or coat thinly with grease), then install.



REMARK

Check that there is no old packing stuck to the filter holder. If there is any old packing stuck to the filter, it will cause leakage of oil.

6. When installing, tighten until the packing surface contacts the filter holder, then tighten a further 3/4 turn.
7. After replacing the filter cartridge, add oil through oil filler (F) until the oil level is between the H and L marks on the dipstick (G).
8. Run the engine at idle for a short time, then stop the engine, and check that the oil level is between the H and L marks on the dipstick. For details, see "Check Oil Level in Engine Oil Pan, Add Oil (PAGE 3-118)".



REPLACE FUEL PREFILTER CARTRIDGE

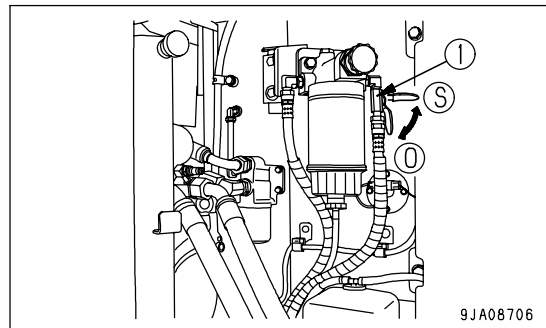
! WARNING

- Immediately after the engine is stopped, all parts are still very hot. Accordingly, wait until they have cooled down before replacing the filter.
- High pressure is generated inside the engine fuel piping system when the engine is running.
When replacing the filter, wait for at least 30 seconds after stopping the engine to let the internal pressure go down before replacing the filter.
- Do not bring any open flame close.

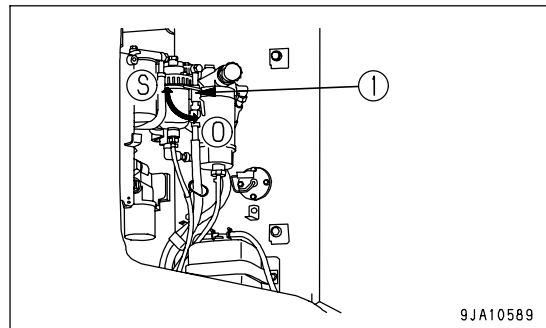
NOTICE

- Genuine Komatsu fuel filter cartridges use a special filter that has highly efficient filtering ability. When replacing the filter cartridge, always use a genuine Komatsu part.
 - The common rail fuel injection system used on this machine consists of more precise parts than the conventional injection pump and nozzle.
If any part other than a genuine Komatsu filter cartridge is used, dust or dirt may get in and cause problems with the injection system. Always avoid using substitute parts.
 - When performing inspection or maintenance of the fuel system, pay more attention than normal to the entry of dirt. If dirt is stuck to any part, use fuel to wash it off completely.
- Prepare a container to catch drain oil.
 - Prepare a filter wrench

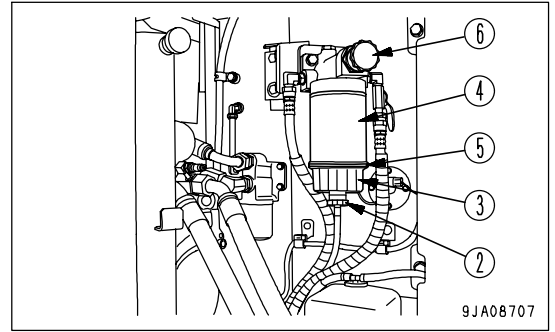
1. Open the pump room door on the right side of the machine.
2. Set valve (1) at the side of the fuel prefilter cartridge to the shut position (S).



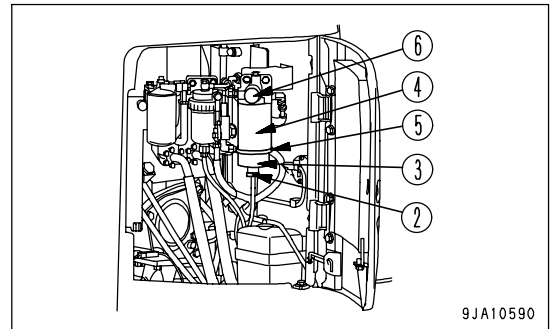
(Machine of poor fuel arrangement specification)



3. Set the container to catch the fuel under the prefilter cartridge.
4. Loosen drain valve (2), then drain all the water and sediment in the transparent cup (3) and also the fuel accumulated in filter cartridge (4).
5. By using a filter wrench, turn transparent cup (3) to the left to remove it. (This cup is used again.)



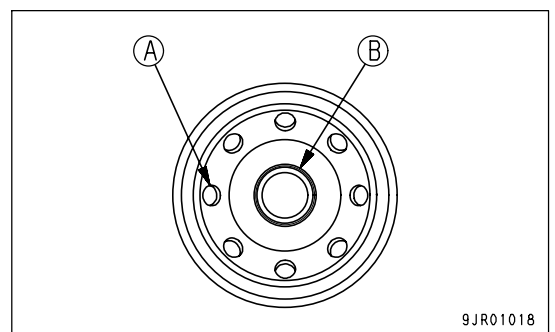
(Machine of poor fuel arrangement specification)



6. By using a filter wrench, turn cartridge (4) to the left to remove it.
7. Install transparent cup (3) to the bottom of the new filter cartridge. (When doing this, always replace O-ring (5).)
8. When installing, apply oil to the packing surface and bring the packing surface into contact with the seal surface of filter cartridge (4) and then tighten it further by 1/4 to 1/2 turns.
If the transparent cup is tightened too much, the O-ring will be damaged and this will cause leakage of fuel; if it is not tightened enough, fuel will leak through the gap at the O-ring. To prevent these problems, always tighten securely to the fixed tightening angle.
9. Clean the filter holder, fill the new filter cartridge with clean fuel, coat the packing surface thinly with oil, then install to the filter holder.

NOTICE

- When adding fuel, do not remove cap (B). Always add fuel from the 8 small holes (A) on the dirty side.
- After adding fuel, remove cap (B) and install the fuel filter.
- Always fill with clean fuel. Be careful not to let any dirt or dust get into the fuel. In particular, center portion is the clean side, so do not remove cap (B) when adding fuel. Be careful not to let dirt or dust get into center portion on the clean side.



10. When installing, tighten until the packing surface contacts the seal surface of the filter head, then tighten it 3/4 of a turn.
If the filter cartridge is tightened too far, the packing will be damaged and this will lead to leakage of fuel. If the filter cartridge is too loose, fuel will also leak from the packing, so always tighten the correct amount.
 - When tightening with a filter wrench, be extremely careful not to dent or damage the filter.
11. Check that the drain valve (2) is tightened securely.
12. Set valve (1) at the side of the fuel prefilter cartridge to the open position (O).
13. After completing the replacement of filter cartridge (4), bleed the air.

Bleed the air as follows:

14. Fill the fuel tank with fuel (to the position where the float is at the highest position).
15. Loosen the knob of feed pump (6), pull it out, then pump it in and out until the movement becomes heavy.

REMARK

- It is not necessary to remove the plug at the top of the fuel prefilter and fuel main filter.
- After the engine runs out of fuel, use the same procedure to operate feed pump (6) and bleed the air.

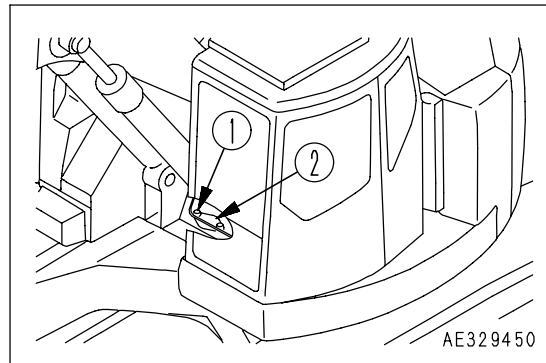
16. After finishing the air bleeding, push in the knob of feed pump (6) and tighten it.
17. After replacing the filter cartridge, start the engine and run it at low idle for 10 minutes.

Check for leakage of oil from the filter seal surface and transparent cap mounting. If any oil is leaking, check the tightening of the filter cartridge.

If there is still oil leakage, repeat Steps 2 to 6 to remove the filter cartridge, and if any damage or embedded foreign material in the packing surface is found, replace it with a new cartridge and repeat Steps 7 to 17 to install it.

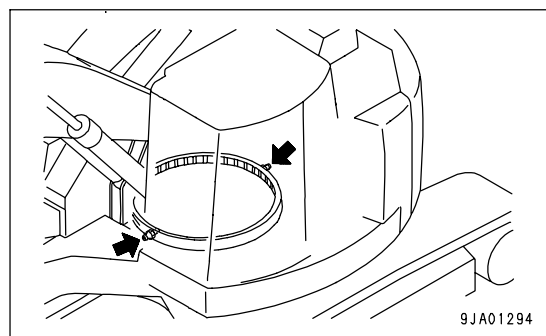
CHECK SWING PINION GREASE LEVEL, ADD GREASE

- Prepare a scale.
1. Remove bolts (1) (2 bolts) on the top of the revolving frame and remove cover (2).
 2. Insert a scale into the grease and check that the height of the grease in the portion where the pinion passes is at least 4 mm (0.158 in). Add more grease if necessary.
 3. Check if the grease is milky white. If it is milky white, it is necessary to change the grease. Contact your Komatsu distributor.
The total amount of grease is 10 liters (9.1 kg) (2.64 US gal, [20 lb]).
 4. Install cover (2) with bolts (1).



LUBRICATE SWING CIRCLE

1. Lower the work equipment to the ground.
2. By using a grease pump, pump in grease through the grease fittings shown by arrows. (2 places)
3. After greasing, wipe off any old grease that was pushed out.



CLEAN AND INSPECT RADIATOR FINS, OIL COOLER FINS, AFTERCOOLER FINS, FUEL COOLER FINS, AND AIR CONDITIONER CONDENSER FINS

! WARNING

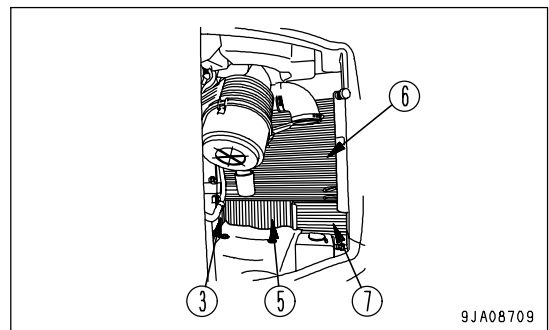
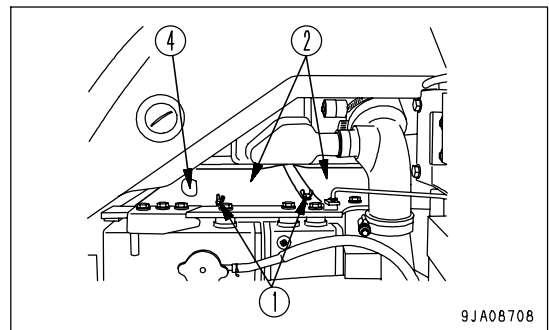
If compressed air, high-pressure water, or steam hits your body directly or dirt is sent flying by the compressed air, high-pressure water, or steam, there is danger of personal injury. Always wear protective eyeglasses, dust mask, and other protective equipment.

NOTICE

When use the compressed air, keep a distance from air nozzle, to prevents damage to the fins.

To prevent damage to the fins, apply compressed air from and appropriate distance. Damaged fins may cause water leakage or overheating. In a dusty site, check the fins daily, irrespective of the maintenance interval.

1. Open the cover at the rear of the cab and the battery room door at the left side of the machine.
2. Remove 4 wing screws (1) and remove net (2).
3. Check the front and rear surfaces of oil cooler fins (3), radiator fins (4), aftercooler fins (5), Air conditioner condenser fins (6), and fuel cooler fins (7). If there is any mud, dirt, or leaves stuck to the fins, blow the dirt off with compressed air. Steam or water may be used instead of compressed air. However, when carrying out powerful steam cleaning (high-pressure machine wash) of the heat exchange equipment (radiator, oil cooler, aftercooler, fuel cooler, air conditioner condenser), maintain sufficient distance from the machine when carrying out the operation. If steam cleaning (high-pressure machine wash) is carried out at close range, there is danger that the internal fins of the heat exchange equipment may be deformed, and this will cause early clogging and breakage.
4. Check the rubber hose. Replace with a new one if the hose is found to have cracks or to be hardened by aging. Also, check hose clamps for looseness.
5. After completing inspection and cleaning, install net (2) to its original condition.



CLEAN AIR CONDITIONER FRESH/RECIRC FILTERS

! WARNING

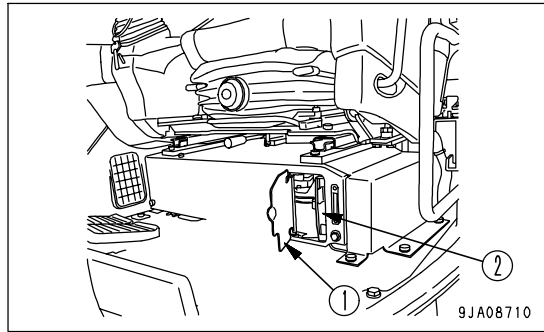
- When using compressed air, there is danger of dirt flying and causing personal injury. Always wear protective glasses, dust mask, and other protective equipment.
- Always check that the slide door is locked at the open or closed position before cleaning the FRESH or RECIRC filter. If the slide door is free, there is danger that it may suddenly move and catch your fingers or break the cover.

NOTICE

- The guide for cleaning the filter is 500 hours, but if the machine is used on an extremely dusty jobsite, reduce the maintenance interval and clean the filter more frequently.
- When washing the floor, be careful not to get water on the air conditioner system.

Cleaning Recirculated Air Filter

1. Open cover (1) at the front bottom left of the operator's seat.
2. Take out internal filter (2).
3. Clean internal filter (2) with compressed air. If there is oil stuck to the filter (2) or it is extremely dirty, wash it in a neutral agent. After washing, dry it thoroughly before using it again.



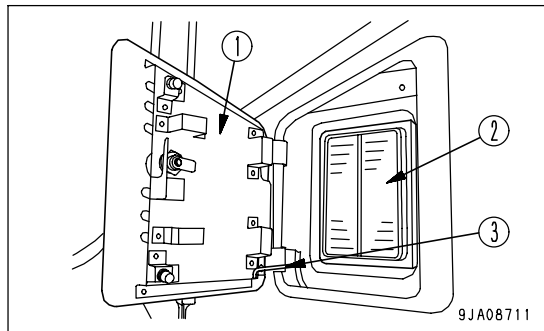
REMARK

If the clogging of the filter cannot be removed by blowing it with compressed air or washing in water, replace the filter with a new one.

4. After cleaning filter (2), return it to its original position and close cover (1).

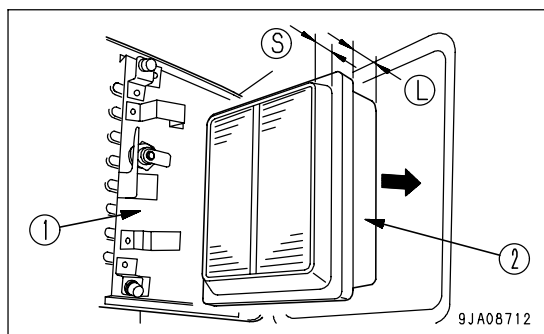
Cleaning Fresh Air Filter

1. Use the starting key to unlock cover (1) at the rear left of the operator's cab, open cover (1) by hand, secure it in position with cover support lever (3), then remove filter (2) from the inside.
2. Clean the filter with compressed air. If there is oil on the filter, or if the filter is extremely dirty, wash it in a neutral agent. After rinsing it in water, dry it thoroughly before using it again. Replace the filter with a new part every year. If the clogging of the filter cannot be removed by blowing with air or washing in water, replace the filter immediately.
3. After cleaning, return filter (2) to its original place, remove cover support lever (3), and close the cover. When doing this, lock it with the starting key. After locking it, do not forget to remove the starting key.



REMARK

The FRESH filter must be installed facing in the correct direction. When installing, insert the long (L) end of filter (2) into the filter case first. If the short (S) end is installed first, cover (1) will not close.

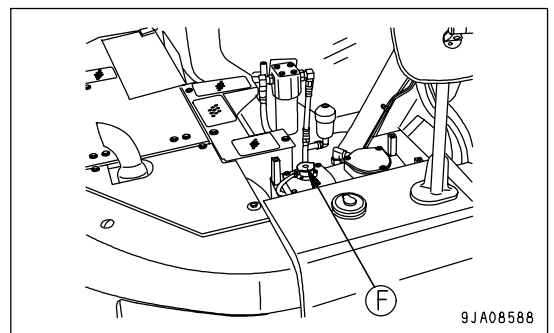
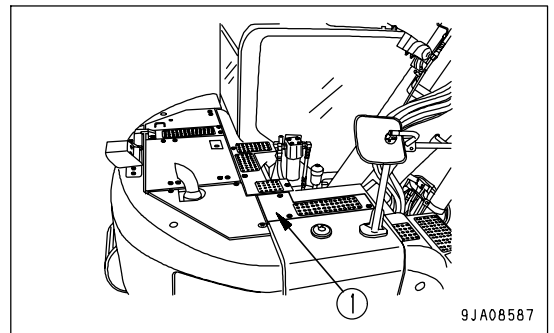


REPLACE BREATHER ELEMENT IN HYDRAULIC TANK

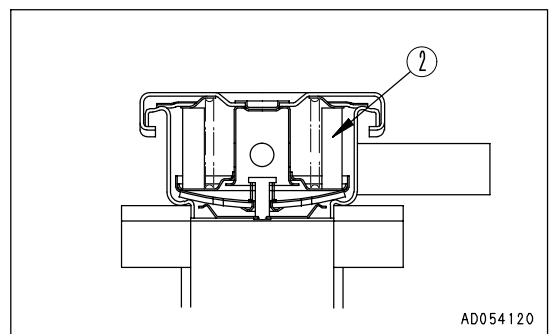
! WARNING

- Immediately after the engine is stopped, its parts and oil are still very hot, and may cause burn injury. Accordingly, wait until they have cooled down before starting the work.
- When removing the oil filler cap, turn it slowly to release the internal pressure, then remove it.

1. Remove cover (1) at the top of the hydraulic tank.
Remove the cap of oil filler (F) over the hydraulic tank.



2. Replace element (2) inside the cap.



EVERY 1000 HOURS MAINTENANCE

Maintenance for every 100, 250 and 500 hours service should be performed at the same time.

CHANGE OIL IN SWING MACHINERY CASE



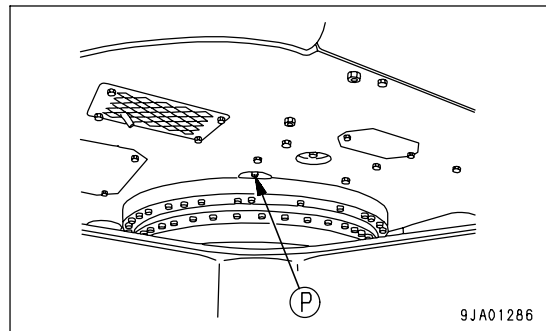
WARNING

The parts and oil are at high temperature after the engine is stopped, and may cause serious burns. Wait for the temperature to go down before starting the operation.

- Refill capacity: 2.5 liters (0.66 US gal)

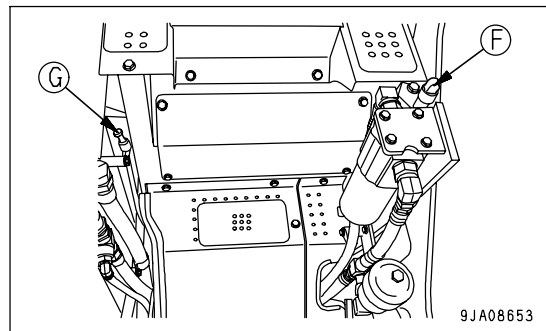
1. Swing the upper structure so that drain plug (P) is between the left and right tracks.
2. Set an oil container under drain valve (P) at the bottom of the machine.
3. Remove drain plug (P) at the bottom of the machine, drain the oil, then tighten the drain plug again.

Tightening torque for drain plug: 44.1 to 93.1 Nm (4.5 to 9.5 kgm, 32.5 to 68.7 lbft)



9JA01286

4. Remove dipstick (G) and the cap of oil filler (F), then add the specified amount of oil from oil filler (F).
5. Wipe off the oil on the dipstick with a cloth.
6. Fully insert dipstick (G) into dipstick pipe, then remove it.
7. The oil level should be between the H and L marks on oil level gauge (G). If the oil level is below the L mark, add oil through oil filler port (F).
8. If the oil is above the H mark, drain the excess oil from drain plug (P), then check the oil level again.



9JA08653

CHANGE OIL IN FINAL DRIVE CASE

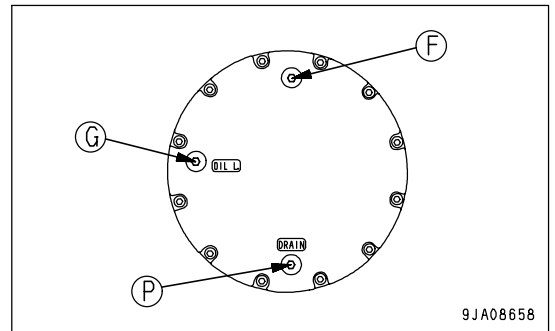
! WARNING

- The oil is at high temperature immediately after the machine has been operated. Wait for the oil to cool down before starting the operation.
- If there is still pressure remaining inside the case, the oil or plug may fly out.
Loosen the plug slowly to release the pressure.

- Refill capacity (each): 2.1 liters (0.55 US gal)
- Prepare a hexagon wrench.

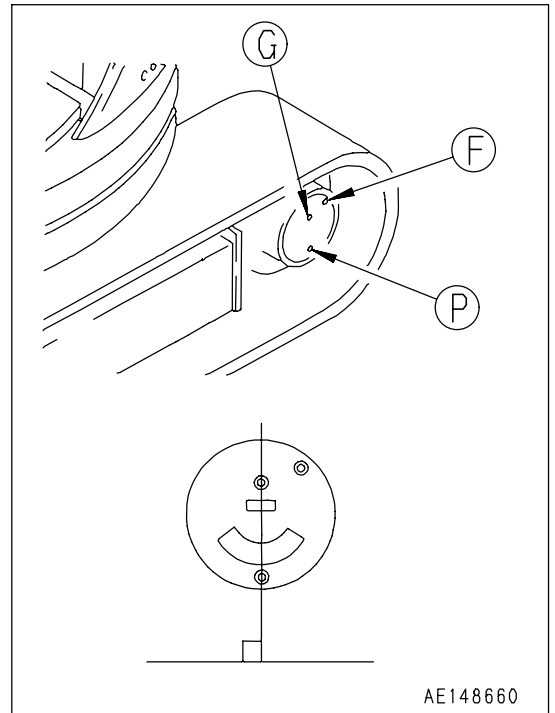
The diagram on the right shows the left final drive case.

1. Set plug (F) at the top, with plug (F) and plug (P) perpendicular to the ground surface.
2. Set a container under plug (P) to catch the oil.
3. Remove plugs (P), (G) and (F) with hexagonal wrench to drain the oil.
4. Tighten plug (P).
5. Add the replacement amount of oil through the hole of plug (F).
6. After the oil flows out of the hole plug (G), install plugs (G) and (F).



Large-capacity Final Drive
(If equipped for PC138US)

1. Set so that plug (G) is at the top, with plug (G) and plug (P) perpendicular to the ground.
2. Set the container to catch oil under plug (P).
3. Remove plugs (P), (G) and (F) with hexagonal wrench to drain the oil.
4. Tighten plug (P).
5. Add the replacement amount of oil through the hole of plug (F).
6. After the oil flows out of the hole plug (G), install plugs (G) and (F).



REPLACE HYDRAULIC OIL FILTER ELEMENT

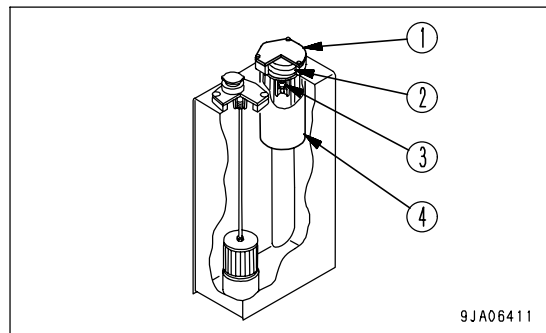
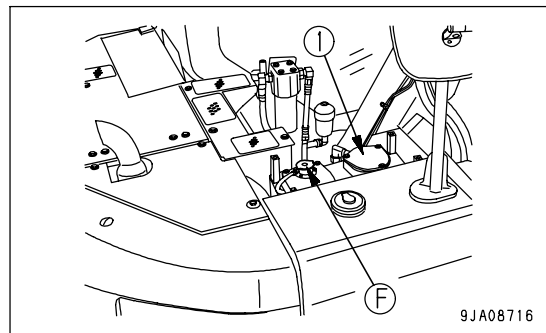
! WARNING

- Immediately after the engine is stopped, its parts and oil are still very hot, and may cause burn injury. Accordingly, wait until they have cooled down before starting the work.
- When removing the oil filler cap, turn it slowly to release the internal pressure, then remove it.

NOTICE

If the machine is equipped with a hydraulic breaker, the hydraulic oil will deteriorate much faster than during normal bucket operations. For details, see "MAINTENANCE INTERVAL FOR HYDRAULIC BREAKER (PAGE 4-17)" when performing maintenance.

1. Remove the cover at the top of the hydraulic tank.
2. Remove the cap from oil filler port (F), and release the internal pressure.
3. Loosen 3 bolts, then remove cover (1). When doing this, the cover may fly out under the force of spring (2), so hold the cover down when removing the bolts.
4. After removing spring (2) and valve (3), take out element (4).
5. Clean the removed parts in flushing oil.
6. Install the new element in the place where old element (4) was installed.
7. Set valve (3) and spring (2) on top of the element.
8. Set cover (1) in position, push it down by hand, and install the cover with the mounting bolts.
9. Install the oil filler cap, then install the cover at the top of the hydraulic tank.
10. To bleed the air, start the engine according to "STARTING ENGINE (PAGE 3-137)" and run the engine at Low idle (MIN) for 10 minutes.
11. Stop the engine.



REMARK

Operate the machine after halting for more than 5 minutes to eliminate bubbles in the oil inside the tank.

12. Check for oil leakage and wipe off any spilled oil.

REPLACE FUEL MAIN FILTER CARTRIDGE



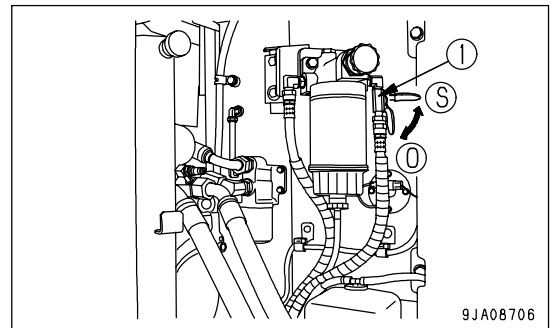
WARNING

- Immediately after the engine is stopped, all parts are still very hot. Accordingly, wait until they have cooled down before replacing the filter.
- High pressure is generated inside the engine fuel piping system when the engine is running.
When replacing the filter, wait for at least 30 seconds after stopping the engine to let the internal pressure go down before replacing the filter.
- Do not bring any open flame close.

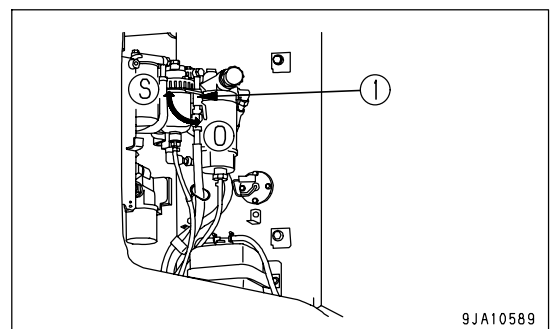
NOTICE

- Genuine Komatsu fuel filter cartridges use a special filter that has highly efficient filtering ability. When replacing the filter cartridge, always use a genuine Komatsu part.
 - The common rail fuel injection system used on this machine consists of more precise parts than the conventional injection pump and nozzle.
If any part other than a genuine Komatsu filter cartridge is used, dust or dirt may get in and cause problems with the injection system. Always avoid using substitute parts.
 - When performing inspection or maintenance of the fuel system, pay more attention than normal to the entry of dirt. If dirt is stuck to any part, use fuel to wash it off completely.
- Prepare a container to catch drain oil.
 - Prepare a filter wrench

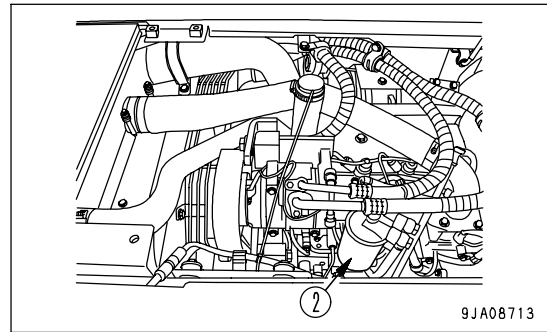
1. Open the pump room door on the right side of the machine.
2. Set valve (1) at the side of the fuel prefilter cartridge to the shut position (S).



(Machine of poor fuel arrangement specification)

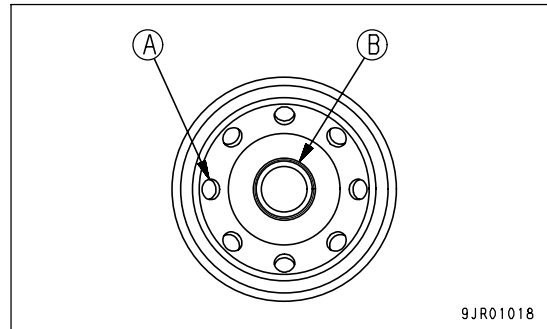


3. Open the engine hood.
4. Set the container to catch the fuel under the filter cartridge.
5. By using a filter wrench, turn filter cartridge (2) counterclockwise to remove it.
6. Clean the filter head, coat the packing surface of the new filter cartridge thinly with oil, then install the filter cartridge to the filter head.



NOTICE

- Do not fill the new filter cartridge with fuel.
- Remove cap (B) and install the filter cartridge.



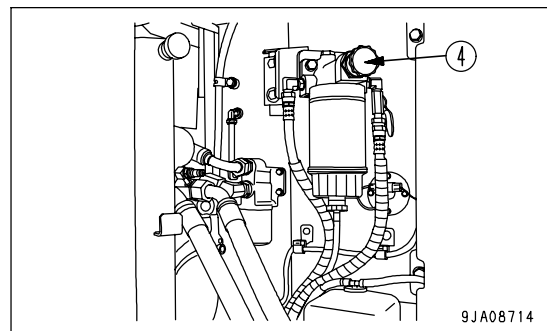
7. When installing, tighten until the packing surface contacts the seal surface of the filter holder, then tighten it a turn or more.
If the filter cartridge is tightened too strong, the packing will be damaged and fuel will leak. But if the filter cartridge is tightened too loose, fuel also will leak from the gap of the packing portion.
So when tightening, observe the correct tightening degree.
8. Set valve (1) at the side of the fuel prefilter cartridge to the open position (O).
9. After completing the replacement of filter cartridge (2), bleed the air.

Bleed the air as follows:

10. Fill the fuel tank with fuel (to the position where the float is at the highest position).
11. Loosen the knob of feed pump (4), pull it out, then pump it in and out until the movement becomes heavy.

REMARK

- It is not necessary to remove the plug at the top of the fuel prefilter and fuel main filter.
- After the engine runs out of fuel, use the same procedure to operate feed pump (4) and bleed the air.



12. Push in the knob of feed pump (4) and tighten it.
13. After replacing the filter cartridge, start the engine and run it at low idle for 10 minutes.
Check for leakage of oil from the filter seal surface. If any oil is leaking, check the tightening of the filter cartridge. If there is still oil leakage, repeat Steps 2 to 5 to remove the filter cartridge, and if any damage or embedded foreign material in the packing surface is found, replace it with a new cartridge and repeat Steps 6 to 13 to install it.

CHECK ALL TIGHTENING POINTS OF ENGINE EXHAUST PIPE CLAMPS

Ask your Komatsu distributor to check the tightening of the clamps between the air cleaner - turbocharger - aftercooler - engine.

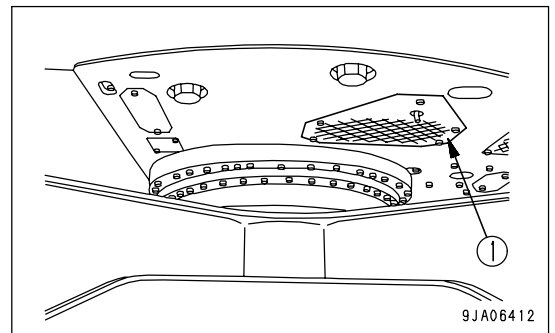
CHECK OIL LEVEL IN PTO GEAR CASE, ADD OIL



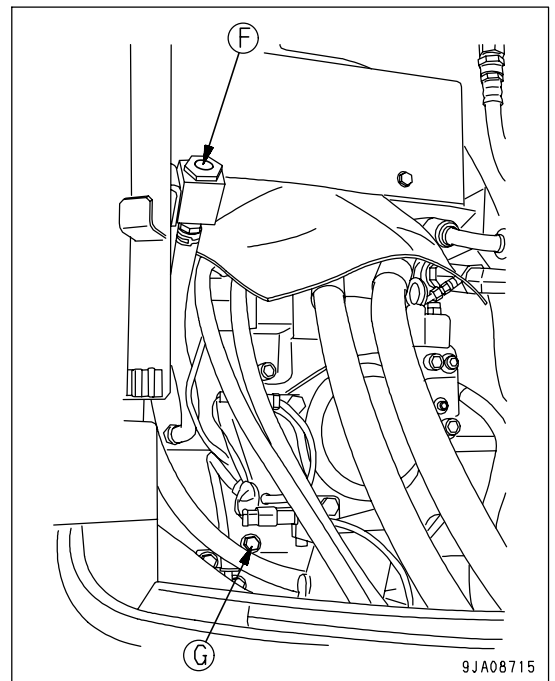
WARNING

Immediately after the engine is stopped, its parts and oil are still very hot, and may cause burn injury. Accordingly, wait until they have cooled down before starting the work.

1. Swing the upper structure so that the PTO gear case is in the middle between the left and right tracks.
Stop the engine and set the lock lever to the LOCK position.
2. Remove undercover (1) at the bottom of the machine.



3. Remove oil inspection plug (G) and check that the oil is near the bottom of the plug hole.
4. If the oil level is low, open the pump room door on the right side of the machine, remove the plug from oil filler (F), and add oil. Add oil until the oil level is close to the bottom of the hole of oil inspection plug (G).
5. Install oil inspection plug (G) and the plug of oil filler (F).



6. Install cover (1).

EVERY 2000 HOURS MAINTENANCE

Maintenance for every 100, 250, 500 and 1000 hours service should be performed at the same time.

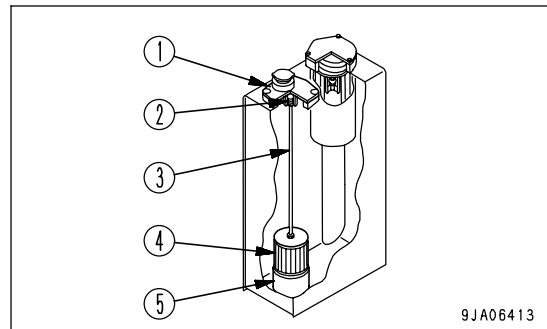
CLEAN HYDRAULIC TANK STRAINER



WARNING

- Immediately after the engine is stopped, its parts and oil are still very hot, and may cause burn injury. Accordingly, wait until they have cooled down before starting the work.
- When removing the oil filler cap, turn it slowly to release the internal pressure, then remove it.

1. Remove the cover at the top of the hydraulic tank.
2. Remove 4 bolts, then remove cover (1). When doing this, cover (1) may fly off because of the force of spring (2), keep the cover pushed down when removing the bolts.
3. Hold the top of rod (3) and pull up to remove spring (2) and strainer (4).
4. Remove any dirt stuck to strainer (4), then wash it in flushing oil. If strainer (4) is damaged, replace it with a new part.
5. When installing, insert strainer (4) into protruding part (5) of the tank, and assemble.
6. Install cover (1) with bolts.
7. Install the cover at the top of the hydraulic tank.



9JA06413

CHECK ALTERNATOR, STARTING MOTOR

The brushes may be worn or the bearing may have run out of grease, ask your Komatsu distributor for inspection and repairs.

If the engine is started frequently, have this inspection performed every 1000 hours.

CHECK ENGINE VALVE CLEARANCE, ADJUST

Special tools are needed for inspection and maintenance, contact your Komatsu distributor.

CHECKING CHARGE PRESSURE OF NITROGEN GAS IN ACCUMULATOR (FOR CONTROL CIRCUIT)

WARNING

The accumulator is charged with high-pressure nitrogen gas, so mistaken operation may cause an explosion, which will lead to serious injury or death. When handling the accumulator, always observe as following.

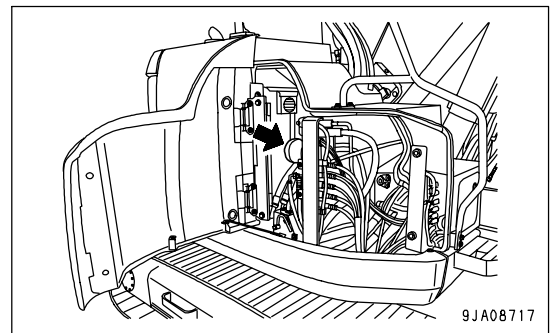
- The pressure in the hydraulic circuit cannot be completely removed. When removing the hydraulic equipment, do not stand in the direction that the oil spurts out when performing the operation. In addition, loosen the bolts slowly when performing the operation.
- Do not disassemble the accumulator.
- Do not bring it near open flame or dispose of it in fire.
- Do not make holes in it or weld it or gas cut it.
- Do not hit it, roll it, or subject it to any impact.
- When disposing of the accumulator, the gas must be released. Ask your Komatsu distributor to have this work performed.

FUNCTION OF ACCUMULATOR

The accumulator stores the pressure in the control circuit. Even after the engine is stopped, the control circuit can be operated, so the following actions are possible.

- If the control lever is operated in the direction to lower the work equipment, it is possible for the work equipment to go down under its own weight.
- The pressure in the hydraulic circuit can be released.

The accumulator is installed to the position shown in the figure on the right.

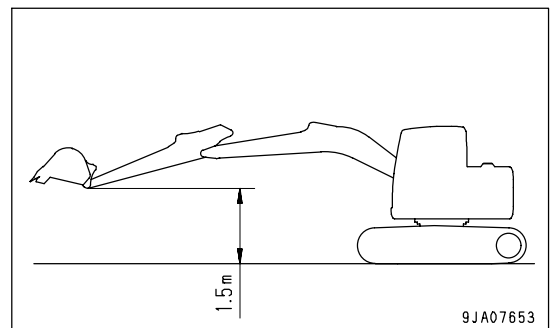


CHECKING FUNCTION OF ACCUMULATOR

Replace the accumulator every 2 years or every 4000 hours, whichever comes sooner.

Check the nitrogen gas charge pressure as follows.

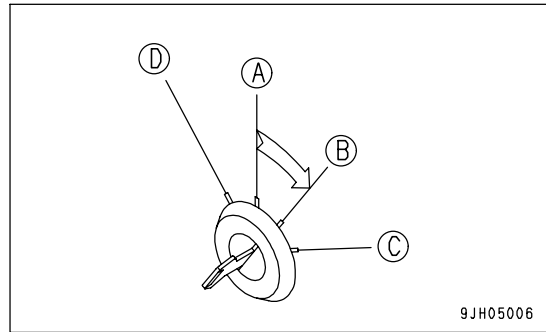
1. Stop the machine on firm, level ground.
2. Set the work equipment to the maximum reach (arm fully extended and bucket fully dumped) and hold the work equipment at a position 1.5 m (4 ft 11 in) above the ground.



NOTICE

Carry out the following procedure to lower the work equipment to the ground within 15 seconds of stopping the engine. When the engine stops, the pressure in the accumulator gradually goes down, so inspection can only be carried out immediately after the engine is stopped.

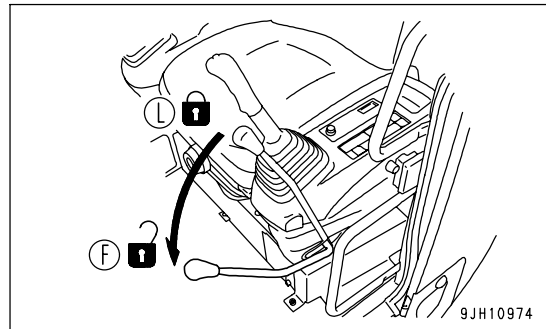
3. Keep the work equipment at the maximum reach, turn the starting switch to OFF position (A), and stop the engine.
4. Turn the starting switch to the ON position (B).



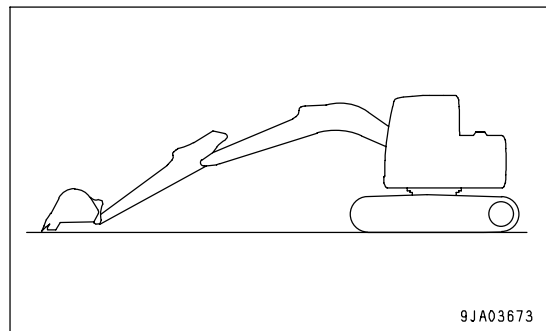
5. Set the lock lever to the FREE position (F).
6. Operate the work equipment control lever fully to the boom LOWER position.

REMARK

Check that the area around the machine is safe, then operate the work equipment control lever to the LOWER position.



7. Check that the work equipment goes down to the ground under its own weight.
8. This completes the inspection.



NOTICE

If the nitrogen gas charge pressure in the accumulator is low and operations are continued, it will become impossible to release the remaining pressure inside the hydraulic circuit if a failure occurs on the machine.

In the following cases, the charge pressure of the accumulator has gone down. Contact your Komatsu distributor.

- Work equipment does not go down
- Stops while going down

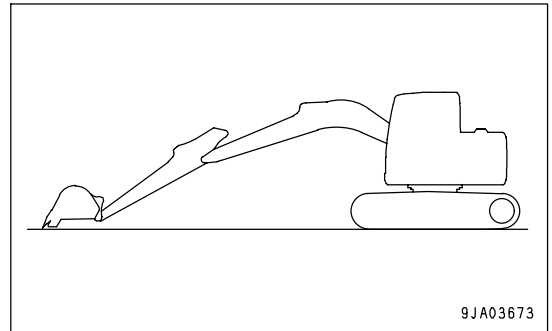
METHOD OF RELEASING PRESSURE IN HYDRAULIC CIRCUIT

NOTICE

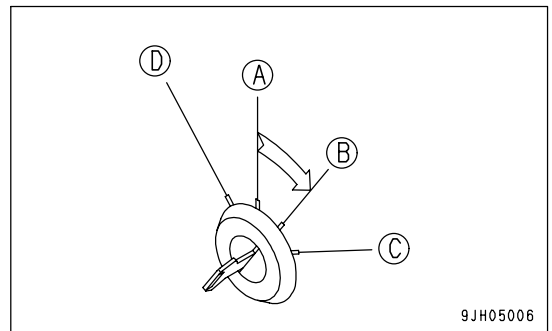
Carry out the following procedure to operate the work equipment control lever fully to the front, rear, left, and right within 15 seconds of stopping the engine.

When the engine stops, the pressure in the accumulator gradually goes down, so the pressure can only be released immediately after the engine is stopped.

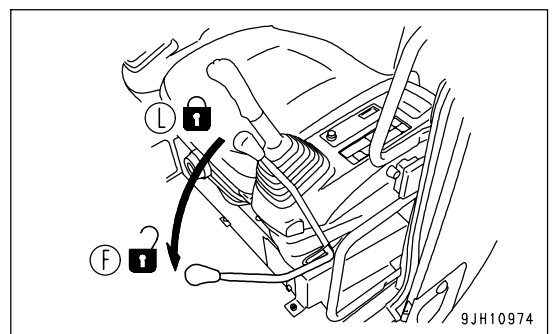
1. Place the work equipment on the ground. Close the crusher attachment jaws, etc.
2. Stop the engine.



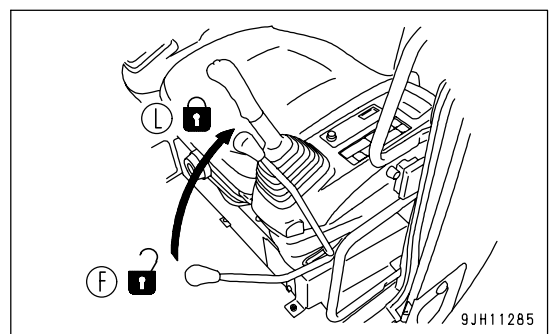
3. Turn the starting switch to the ON position (B).



4. Set the lock lever to the FREE position (F), then operate each work equipment control lever and attachment control pedal (if equipped) fully to the front, rear, left, and right to release the pressure in the hydraulic circuit.



5. Set the lock lever to the LOCK position (L) to lock the work equipment control levers and attachment control pedal (if equipped).



EVERY 4000 HOURS MAINTENANCE

Maintenance for every 100, 250, 500, 1000 and 2000 hours service should be performed at the same time.

CHECK WATER PUMP

Check that there is no play in the pulley, leakage of oil or water, or clogging of the drain hole. If any problem is found, contact your Komatsu distributor for repairs or replacement.

REPLACE ACCUMULATOR (FOR CONTROL CIRCUIT)

Replace the accumulator every 2 years or every 4000 hours, whichever comes sooner.



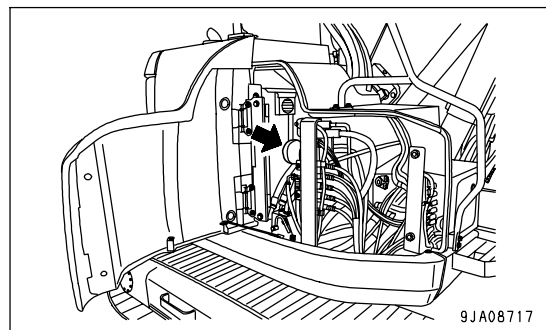
WARNING

The accumulator is charged with high-pressure nitrogen gas, so mistaken operation may cause an explosion, which will lead to serious injury or death. When handling the accumulator, always observe as following.

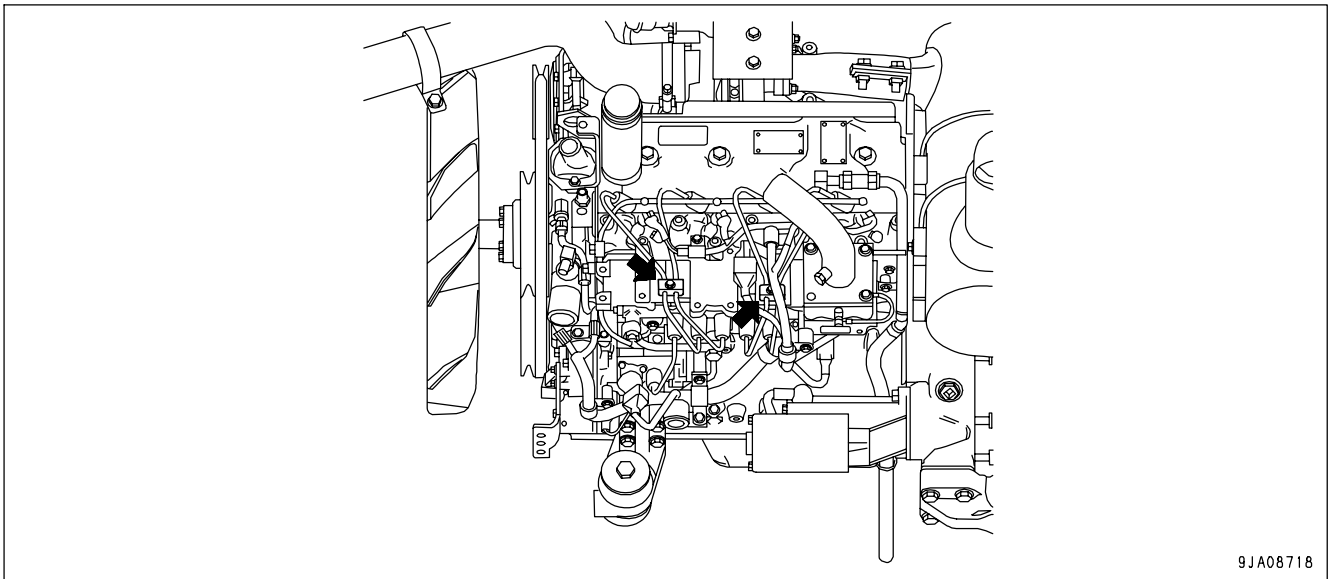
- The pressure in the hydraulic circuit cannot be completely removed. When removing the hydraulic equipment, do not stand in the direction that the oil spurts out when performing the operation. In addition, loosen the bolts slowly when performing the operation.
- Do not disassemble the accumulator.
- Do not bring it near open flame or dispose of it in fire.
- Do not make holes in it or weld it or gas cut it.
- Do not hit it, roll it, or subject it to any impact.
- When disposing of the accumulator, the gas must be released. Ask your Komatsu distributor to have this work performed.

If operations are continued after the performance of the accumulator has dropped, it will be impossible to release the remaining pressure in the hydraulic circuit if there should be a failure on the machine. Ask your Komatsu distributor to replace the accumulator.

The accumulator is installed to the position shown in the figure on the right.

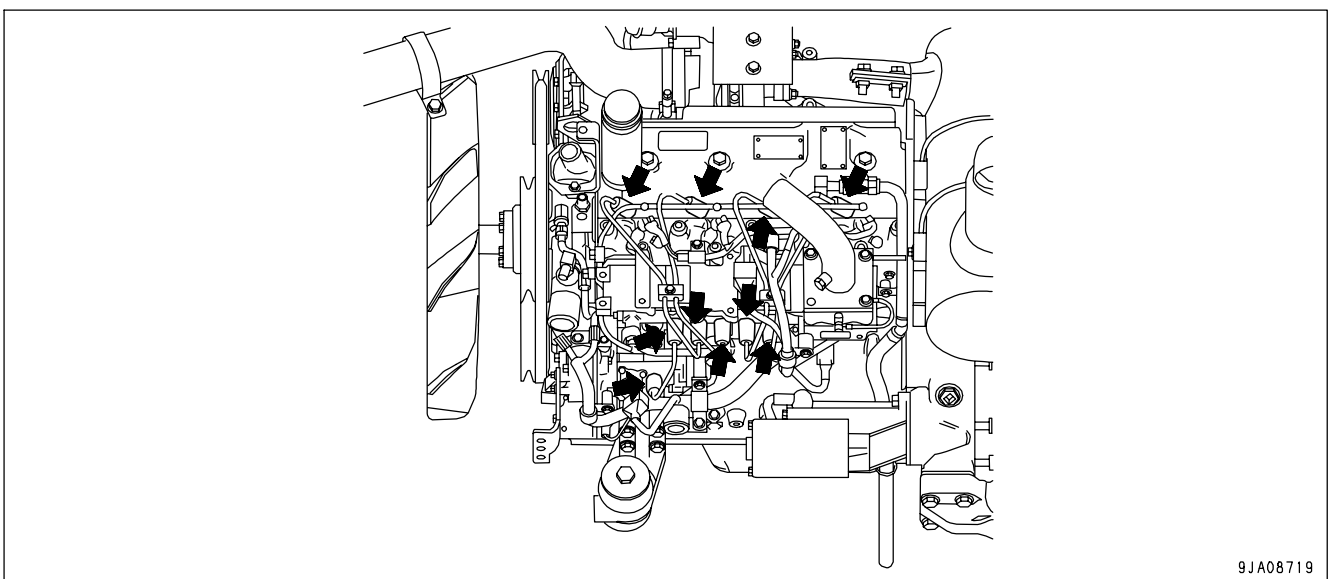


CHECK FOR LOOSENESS OF HIGH-PRESSURE PIPING CLAMP, HARDENING OF RUBBER



Check visually and touch by hand to check that there is no hardening of the rubber and no loose bolts of the mounting clamps (2 places) for the high-pressure piping between the supply pump and the common rail. If there are any problems, the parts must be replaced. In this case, ask your Komatsu distributor to perform replacement.

CHECK FOR MISSING FUEL SPRAY PREVENTION CAP, HARDENING OF RUBBER



The fuel spray prevention caps (10 places) on the fuel injection piping and both ends of the high-pressure piping act to prevent the fuel from coming into contact with high-temperature parts of the engine and causing a fire if the fuel should leak or spray out. Check visually and touch by hand to check that there are no missing caps, loose bolts or hardening of the rubber. If there are any problems, the parts must be replaced. In this case, ask your Komatsu distributor to carry out replacement.

EVERY 5000 HOURS MAINTENANCE

Maintenance for every 100, 250, 500 and 1000 hours service should be performed at the same time.

CHANGE OIL IN HYDRAULIC TANK



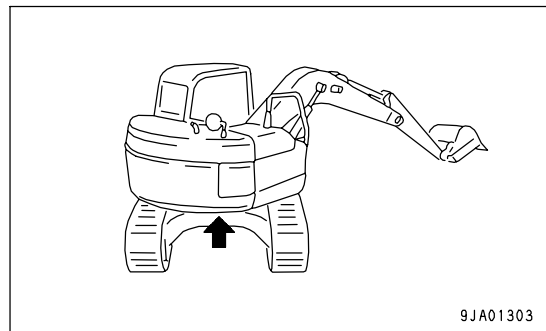
WARNING

- Immediately after the engine is stopped, its parts and oil are still very hot, and may cause burn injury. Accordingly, wait until they have cooled down before starting the work.
- When removing the oil filler cap, turn it slowly to release the internal pressure, then remove it.

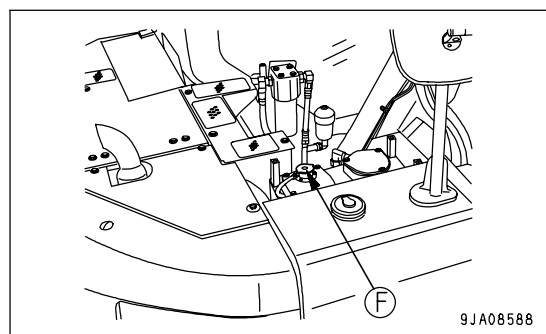
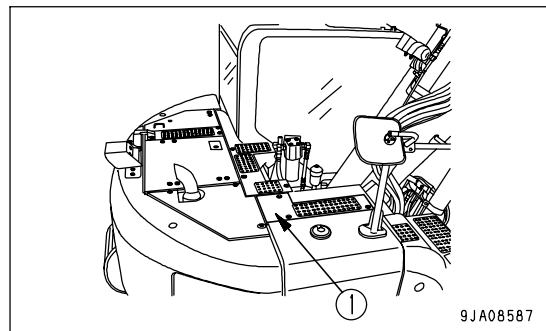
NOTICE

If the machine is equipped with a hydraulic breaker, the hydraulic oil will deteriorate much faster than during normal bucket operations. For details, see "MAINTENANCE INTERVAL FOR HYDRAULIC BREAKER (PAGE 4-17)" when performing maintenance.

- Refill, capacity: 69 liters (18.22 US gal)
 - Prepare a handle (for the socket wrench).
1. Swing so that the drain plug at the bottom of the hydraulic tank is in the middle between the left and right tracks.
 2. Retract the arm and bucket cylinders, then lower the boom and put the teeth in contact with the ground.
 3. Set the lock lever to LOCK position and stop the engine.

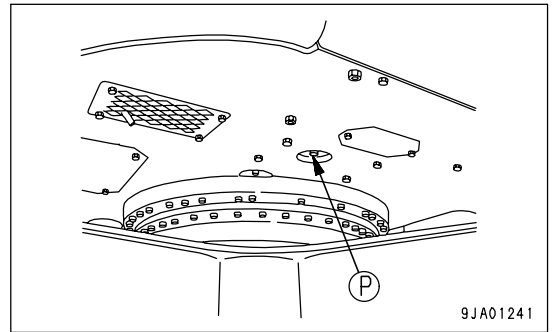


4. Remove cover (1) at the top of the hydraulic tank.
Remove the cap of oil filler (F) over the hydraulic tank.



5. Set the oil container under the drain plug under the machine. Using the handle, remove drain plug (P) and drain the oil. Check the O-ring installed to plug (P), and if it is damaged, replace the O-ring. After draining the oil, tighten drain plug (P). Tightening torque: 58.8-78.4 Nm (6-8 kgm, 43.4-57.9 lbft).

- Take care not to get oil on yourself when you remove drain plug (P).



6. Add the replacement amount of oil through oil filler (F). Check that the oil level is between the H and L lines on the sight gauge. For details of oil level check, see "Check Oil Level in Hydraulic Tank, Add Oil (PAGE 3-120)".

EVERY 8000 HOURS MAINTENANCE

Maintenance for every 100, 250, 500, 1000, 2000 and 4000 hours service should be performed at the same time.

REPLACE HIGH-PRESSURE PIPING CLAMP

Ask your Komatsu distributor to have the engine high-pressure clamps replaced.

REPLACE FUEL SPRAY PREVENTION CAP

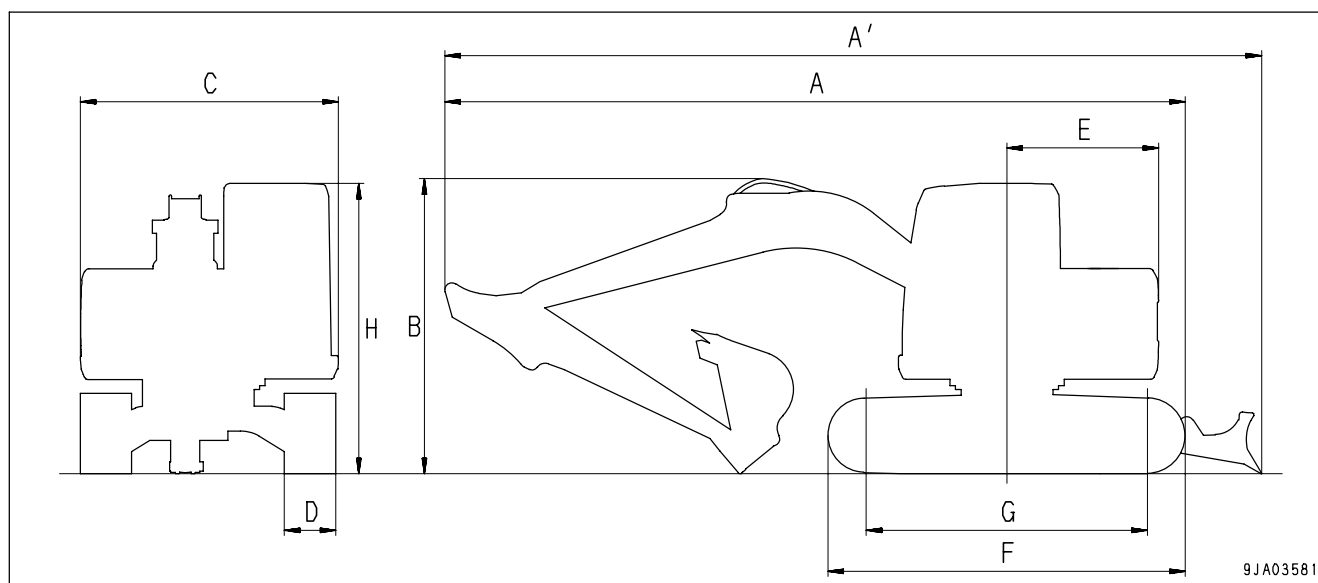
Ask your Komatsu distributor to have the fuel spray prevention cap replaced.

SPECIFICATIONS

SPECIFICATIONS

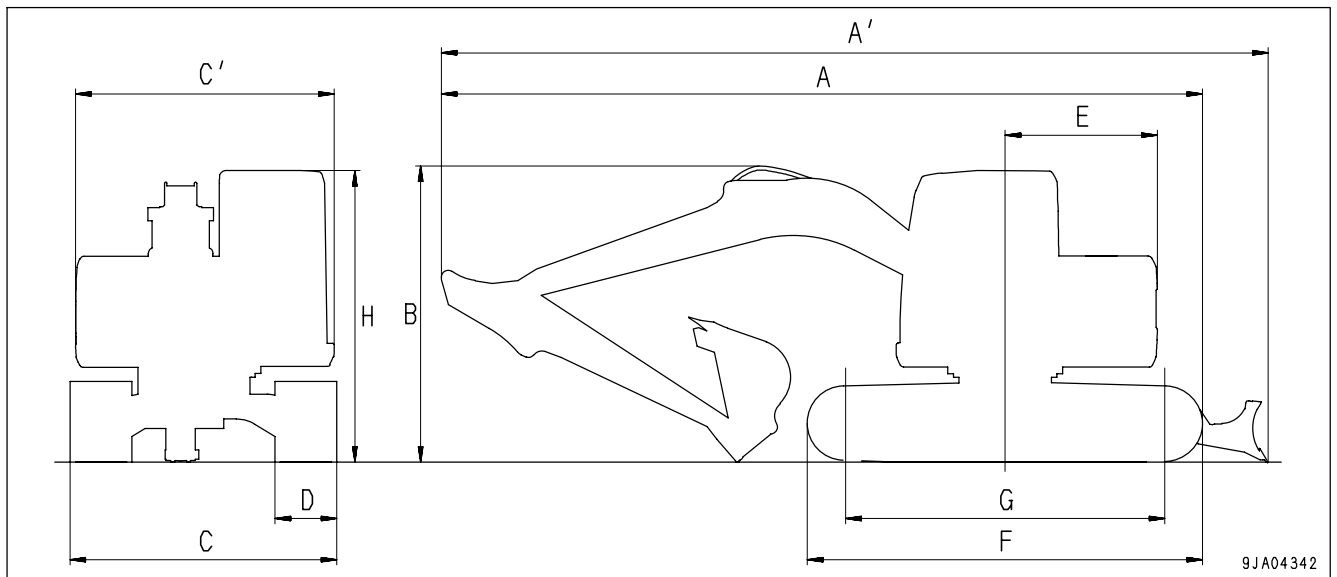
PC138US-8

	Item	Unit	Standard specification	Blade specification
	Machine weight	kg (lb)	13,400 (29,547)	14,050 (30,980)
	Bucket capacity	m ³ (cu.yd)	0.50 (0.65)	
	Name of engine	-	Komatsu SAA4D95LE-5 diesel engine	
	Engine rated horsepower	kW (HP)/rpm	68.4 (91.7)/2,200	
A	Overall length (Standard specification)	mm (ft in)	7,260 (23' 10")	-
A'	Overall length (Blade specification)	mm (ft in)	-	7,970 (26' 2")
B	Overall height	mm (ft in)	2,850 (9' 4")	
C	Overall width	mm (ft in)	2,490 (8' 2")	
D	Track width	mm (ft in)	500 (1' 8")	
E	Tail swing radius	mm (ft in)	1,480 (4' 10")	
F	Length of track	mm (ft in)	3,610 (11' 10")	
G	Tumbler canter distance	mm (ft in)	2,880 (9' 5")	
H	Cab height	mm (ft in)	2,815 (9' 3")	
	Min. ground clearance	mm (ft in)	395 (1' 4")	
	Travel speed (Low/High)	km/h (MPH)	2.9/5.1 (1.8/3.2)	
	Continuous swing speed	rpm	11.0	

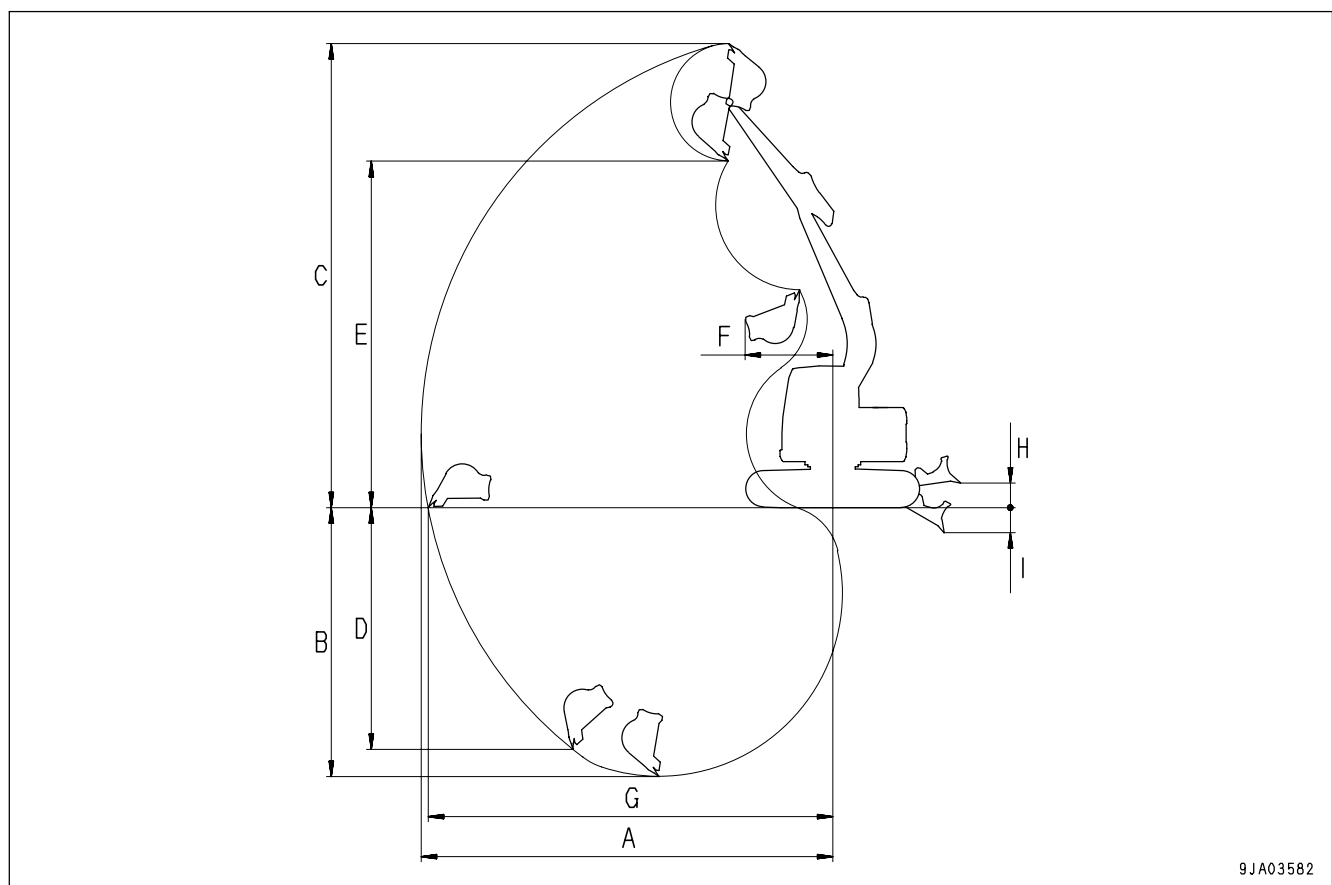


PC138USLC-8

	Item	Unit	Standard specification	Blade specification
	Machine weight	kg (lb)	14,500 (31,973)	15,150 (33,406)
	Bucket capacity	m ³ (cu.yd)	0.50 (0.65)	
	Name of engine	-	Komatsu SAA4D95LE-5 diesel engine	
	Engine horsepower	kW (HP)/rpm	68.4 (91.7)/2,200	
A	Overall length (Standard specification)	mm (ft in)	7,390 (24' 3")	-
A'	Overall length (Blade specification)	mm (ft in)	-	8,040 (26' 5")
B	Overall height	mm (ft in)	2,850 (9' 4")	
C	Overall width	mm (ft in)	2,590 (8' 6")	
C'	Overall width (Blade specification)	mm (ft in)	2,490 (8' 2")	
D	Track width	mm (ft in)	600 (2' 0")	
E	Tail swing radius	mm (ft in)	1,545 (5' 1")	
F	Length of track	mm (ft in)	3,870 (12' 8")	
G	Tumbler canter distance	mm (ft in)	3,140 (10' 4")	
H	Cab height	mm (ft in)	2,815 (9' 3")	
	Min. ground clearance	mm (ft in)	395 (1' 4")	
	Travel speed (Low/High)	km/h (MPH)	2.9/5.1 (1.8/3.2)	
	Continuous swing speed	rpm	11.0	



	Working ranges	Unit	PC138US-8	PC138USLC-8
A	Max. digging reach	mm (ft in)	8,300 (27' 3")	
B	Max. digging depth	mm (ft in)	5,480 (17' 2")	
C	Max. digging height	mm (ft in)	9,340 (30' 8")	
D	Max. vertical wall digging depth	mm (ft in)	4,900 (16' 1")	
E	Max. dumping height	mm (ft in)	6,840 (22' 5")	
F	Min. swing radius of work equipment	mm (ft in)	1,980 (6' 6")	
G	Max. reach ground level	mm (ft in)	8,180 (26' 10")	
H	Max. blade lifting height	mm (ft in)	470 (1' 7")	
I	Max. blade lowering depth	mm (ft in)	525 (1' 9")	490 (1' 7")



9JA03582

ATTACHMENTS, OPTIONS

 **WARNING**

Please read and make sure that you understand the SAFETY section before reading this section.

ATTACHMENTS AND OPTIONS - GENERAL INFORMATION

SAFETY FIRST

If attachments or options other than those authorized by Komatsu are installed, this will not only affect the life of the machine, but will also cause problems with safety.

When installing attachments not listed in this Operation and Maintenance Manual, consult your Komatsu distributor first.

If you do not contact Komatsu, we cannot accept any responsibility for any accidents or failures.



WARNING

General precautions

- Read the instruction manual for the attachment thoroughly, and do not use this attachment unless you are sure that you have understood the guides completely.
If you lose the instruction manual, always ask the manufacturer or your Komatsu distributor for a new copy.
- Depending on the attachment, install the necessary front guard on the machine.
- Depending on the attachment, the impact noise may make it difficult for fellow workers to transmit instructions for the operation. Before starting operation, decide a leader and determine the signals to be used.
- Do not carry out swinging operations to the side with a heavy load on the attachment. This is particularly dangerous on slopes.
- Comparing with a machine equipped with a bucket, a machine equipped with a breaker has a heavy load at the front of the work equipment and is unstable. To avoid a hazard of tipping over, do not carry out operations with the attachment swung to the side.
- When an attachment is installed, the swing range and center of gravity of the machine are different, and the machine may move in an unexpected way. Be sure that you understand the condition of the machine properly.
- Before starting operations, set up a fence around the machine to prevent people from entering.
Never operate the machine when there are people near the machine.
- To prevent serious accidents caused by misoperation, do not put your foot on the pedal except when operating the pedal.

Precautions for removal and installation operations

When removing or installing the attachments, obey the following precautions and take care to ensure safety during the operation.

- Carry out the removal and installation operation on a flat, firm ground surface.
- When the operation is carried out by 2 or more workers, determine the signals and follow these during the operation.
- When carrying heavy objects (more than 25 kg or 55 lb), use a crane.
- When removing heavy parts, always support the part before removing it.
When lifting such as heavy parts with a crane, always pay careful attention to the position of the center of gravity.
- It is dangerous to carry out operations with the load kept suspended. Always set the load on a stand, and check that it is safe.
- When removing or installing attachments, make sure that it is in a stable condition and will not fall over.
- Never go under a load suspended from a crane.
Always stand in a position that is safe even if the load should fall.

NOTICE

Qualifications are required to operate a crane. Never allow the crane to be operated by an unqualified person.

For details of removal and installation operations, contact your Komatsu distributor.

ATTACHMENT INSTALLATION

! WARNING

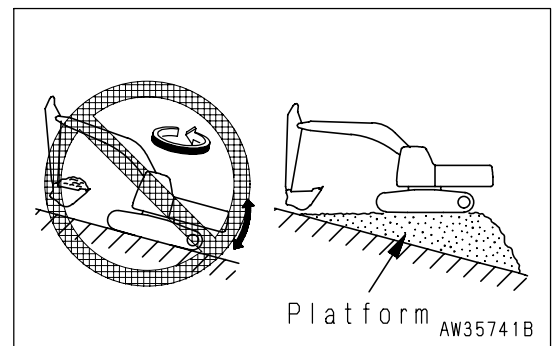
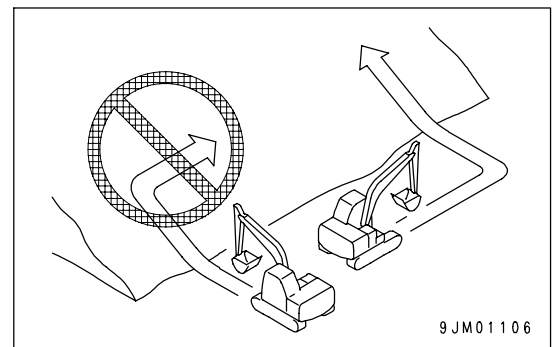
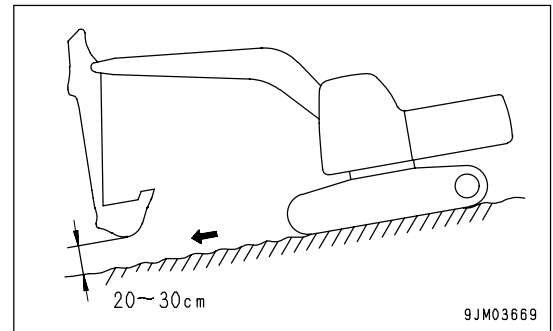
Long work equipment or heavy work equipment cause the machine to have poor stability, so there is danger of the machine losing its balance and tipping over when traveling down steep hills or when swinging on slopes. Never do any of the following. They are extremely dangerous.

- Traveling downhill with the work equipment raised
- Traveling across slopes
- Swinging upper structure on slopes
- If heavy-load work equipment is installed, there will be excessive overrun when swinging (the distance from operating to stop the swing to the point where the swing stops completely), so there is danger of mistaking the distance and hitting other objects.

Allow a margin to the stopping point when operating.

In addition, the hydraulic drift (the gradual downward movement caused by the weight of the work equipment when the work equipment is stopped in a raised condition) will also increase.

- If the correct procedure is not used when installing the boom and arm, it may lead to serious damage. Please consult your Komatsu distributor.
- When long work equipment is installed, the working range will suddenly become larger, so there is danger of mistaking the distance and hitting other objects. Allow an ample margin between the work equipment and surrounding obstacles when operating.



BUCKET WITH HOOK

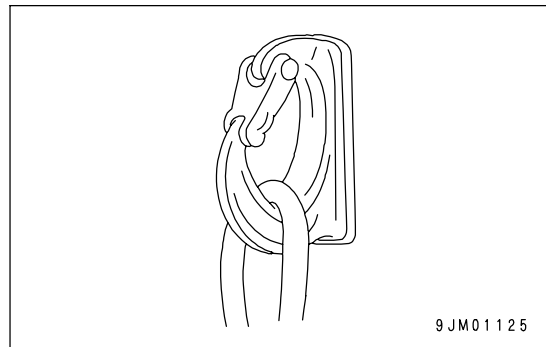
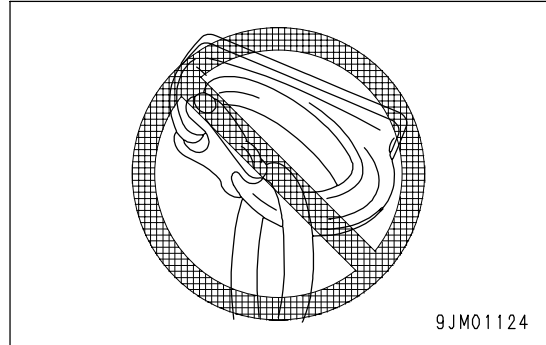
HOOK CONDITION

Check that there is no damage to the hook, stopper, or hook mount. If there is any problem, contact your Komatsu distributor.

PROHIBITED OPERATIONS

Operations with Care

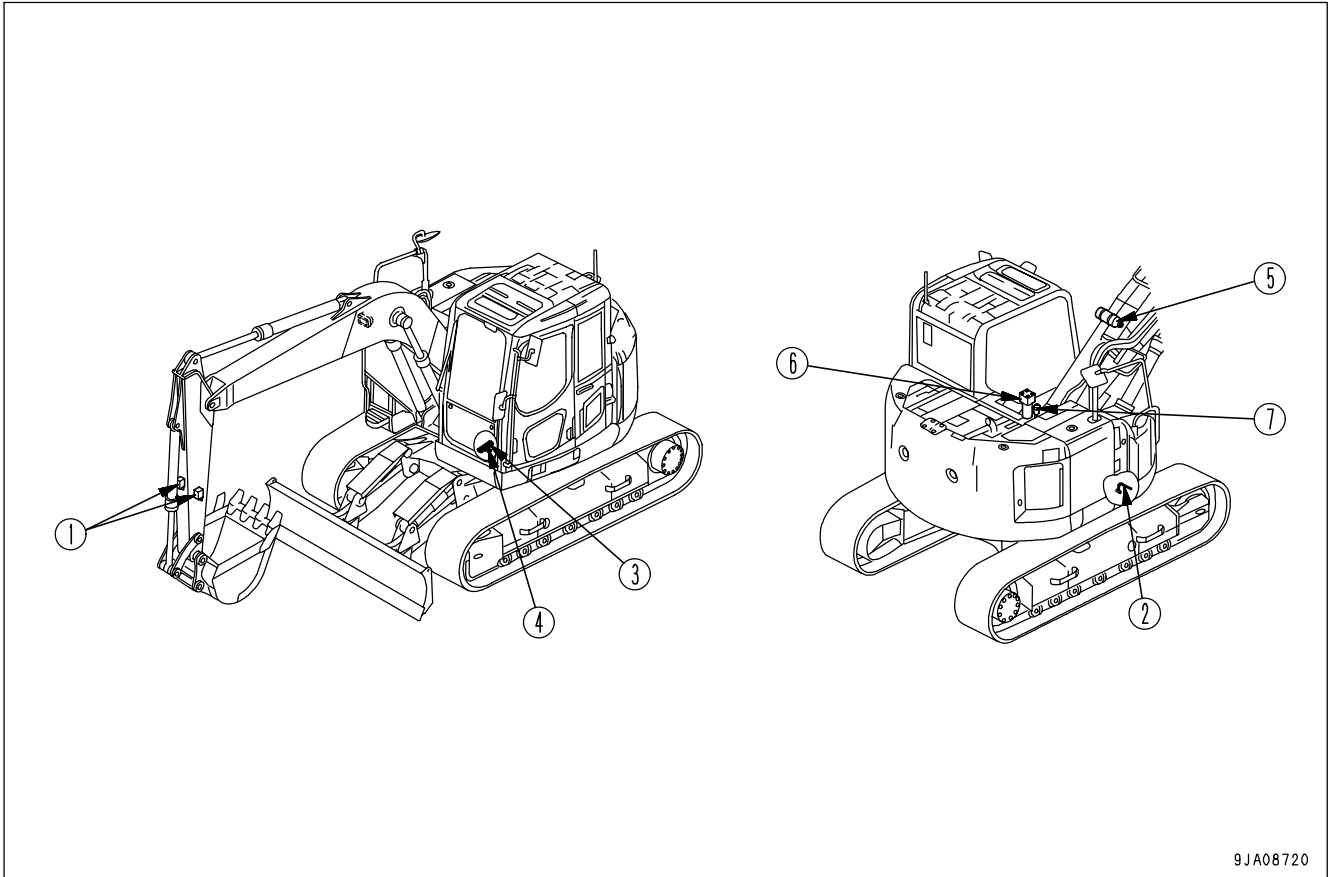
- Do not exceed the following loads when carrying out lifting operations.
 When standard arm is installed: 700 kg (1544 lb)
 When long arm is installed: 500 kg (1103 lb)
- It is dangerous if the load sways excessively. Lower the engine speed and operate the control levers slowly.
- The swing speed of this machine is 3 to 4 times the speed of a mobile crane. Be particularly careful to check that the surrounding area is safe when operating the swing.
- Check that there is no damage to the hook, stopper, and hook mount. If any problem is found, contact your Komatsu distributor.
- Never travel the machine while lifting a load.
- Depending on the operating posture, there is danger that the wire or pulley may come off from the hook. To avoid these parts from coming off, pay careful attention to the angle of the hook. In addition, do not allow any person to come under or in the area around a raised load.
- If the bucket with hook is turned and used for operations, it will hit the arm during dumping operations, be careful when using it.
- If a hook is to be installed, consult your Komatsu distributor.
- If you are planning to newly install a hook, contact your Komatsu distributor.



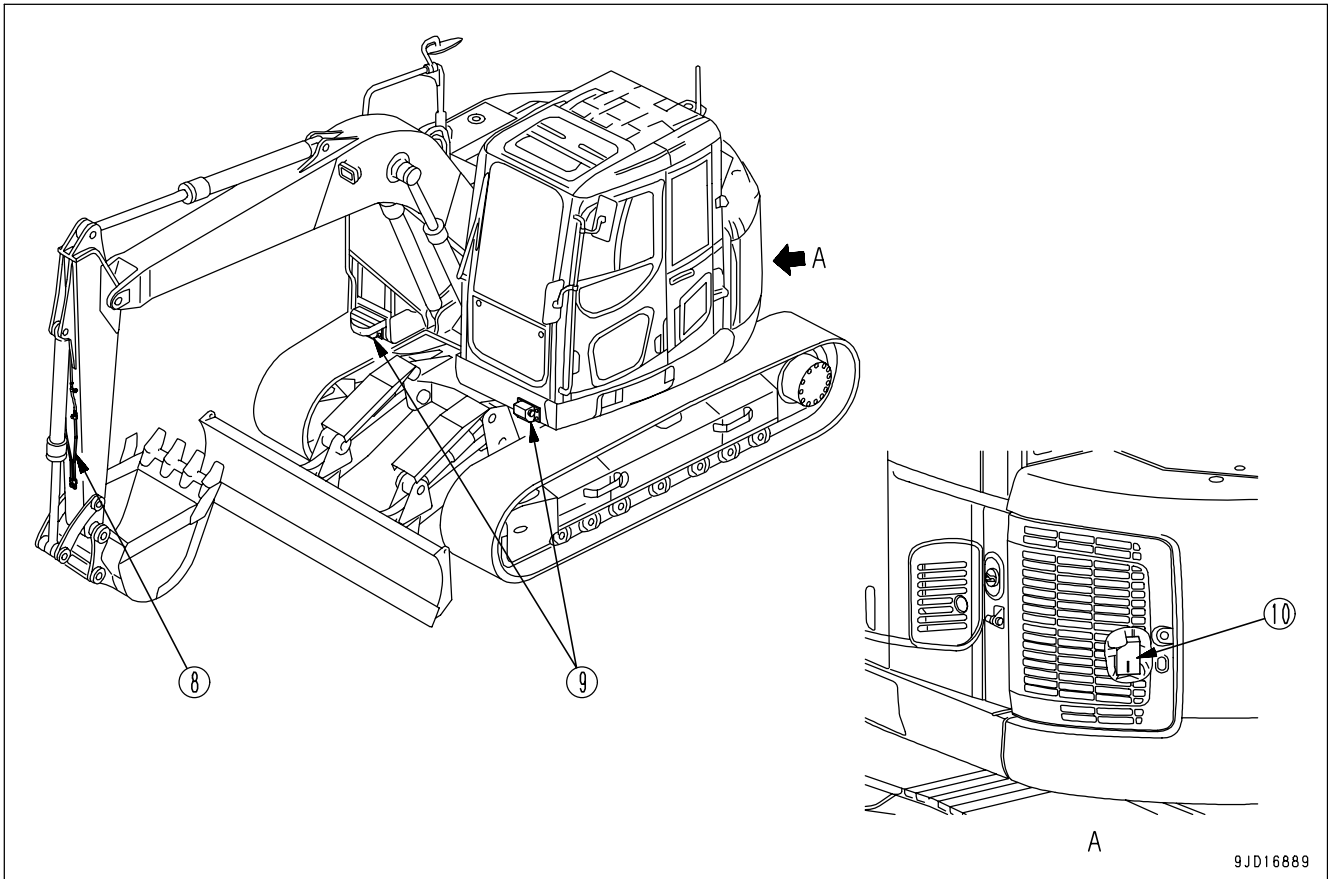
MACHINE READY FOR ATTACHMENT

LOCATIONS

OVERALL MACHINE VIEW



- | | |
|------------------------------|---|
| (1) Stop valve | (5) Accumulator (for high pressure) |
| (2) Selector valve | (6) Breaker circuit additional oil filter |
| (3) Attachment control pedal | (7) Accumulator (for low pressure) |
| (4) Lock pin | |

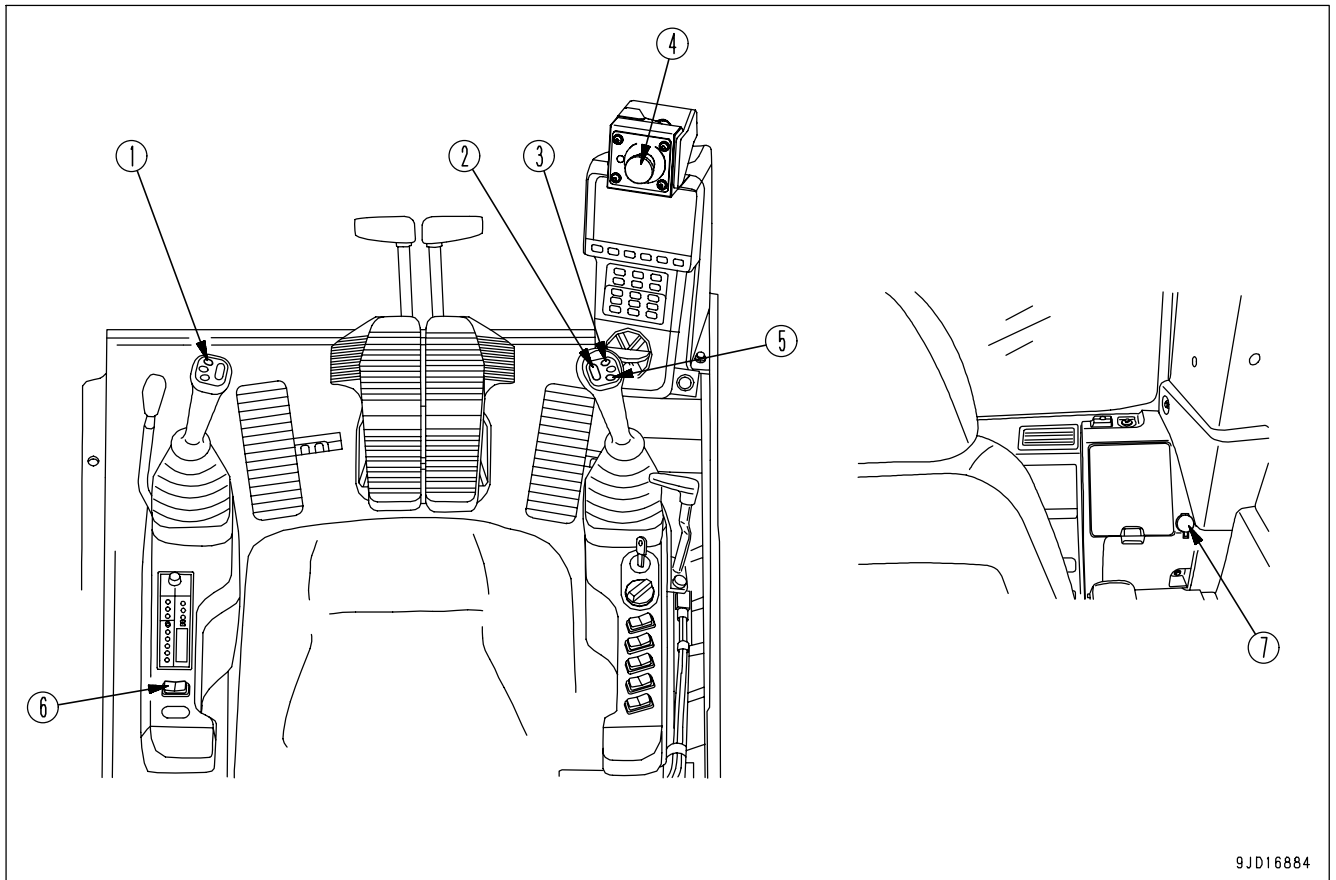


(8) Quick coupler piping

(9) Emergency engine shutdown switch

(10) Battery disconnect switch

CONTROLS AND GAUGES



9JD16884

- | | |
|--|-------------------------------|
| (1) Quick coupler operation switch | (5) Horn switch |
| (2) 1st Attachment proportional control switch | (6) Quick coupler main switch |
| (3) Breaker switch | (7) 12V power source |
| (4) Emergency engine shutdown switch | |

DETAILED CONTROLS AND GAUGES

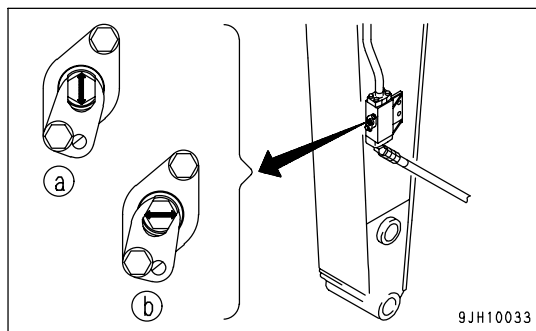
Stop Valve

This valve (1) stops the flow of the hydraulic oil.

(a) FREE: Hydraulic oil flows.

(b) LOCK: Hydraulic oil stops.

When removing or installing attachments, set this valve to LOCK position.

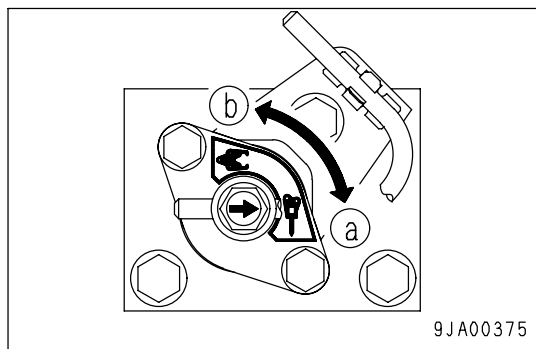


Selector Valve

This valve (2) selector the flow of the hydraulic oil.

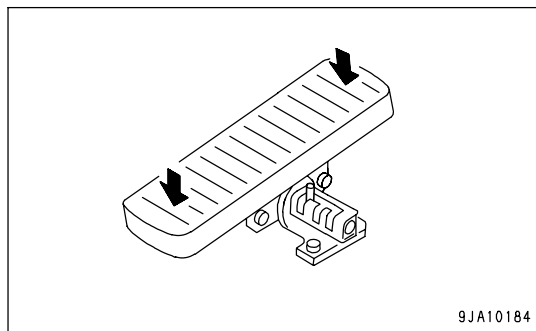
Position (a) : When breaker is used

Position (b) : When general attachment is used (crusher, etc.)



Attachment Control Pedal

This pedal (3) is used to operate the attachment.



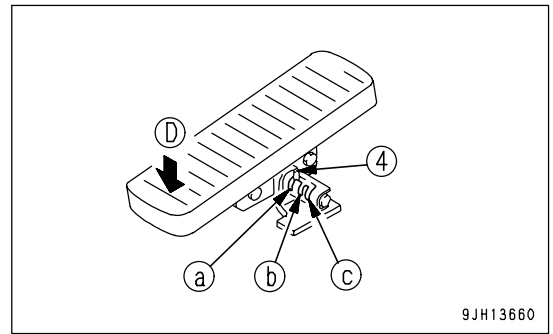
Lock Pin

This pin (4) locks the attachment control pedal.

Position (a): Locked

Position (b): Only front of pedal can be operated to full position (rear is locked)

Position (c): Both front and rear of pedal can be operated to full position



- When not using the attachment, set the lock pin to position (a).
- When using the breaker, use the working mode selector switch on the monitor switch portion to set the working mode to B mode, and set the lock pin to position (b) when using the pedal.
- When using the crusher, use the working mode selector switch on the monitor switch portion to set the working mode to ATT mode, and set the lock pin to position (c) when using the pedal.

NOTICE

- When using the breaker, if the lock pin is set to position (c) and the pedal is operated in direction (D), it will cause damage or defective operation of the breaker. To prevent this, when using the breaker, always set the lock pin to position (b).
- Before changing the position of the lock pin, stop the engine.

Accumulator (for High Pressure)

When a breaker is in use, this accumulator (5) serves to assure the number of breaker hammering by lowering pulsation in the hydraulic pump discharging pressure. Its another function is to protect the pump.

Consult each manufacturer of breaker to decide if an accumulator may well be installed on your machine.

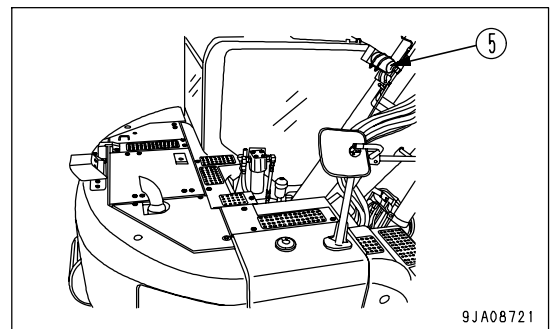


Table for Additional Circuit and Parts Required for Mounting Breaker

(○ white cirlet indicates an item necessary to install)

	Additional filter	Accumulator		Low-pressure safety valve	
		Attachment circuit	Control circuit	Main valve	Selector valve
Hydraulic breaker	○	○ (go/return)	○	○	○

- Cracking pressure of low-pressure safety valve
Main valve 24.53 MPa (250 kg/cm², 3550.0 PSI)
Selector valve 17.17 MPa (175 kg/cm², 2490.0 PSI)

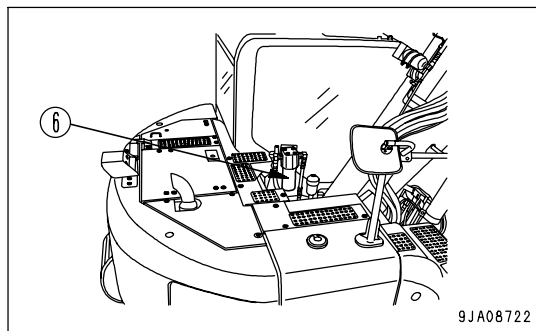
Breaker Circuit Additional Oil Filter

This filter (6) is used to prevent deterioration of the hydraulic oil when using the breaker.

The oil flows through this only when the selector valve is at the breaker position.

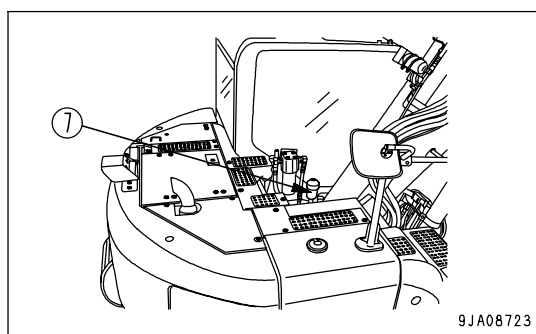
NOTICE

Always install an additional filter in the return circuit on machines equipped with a hydraulic breaker.

**Accumulator (for Low Pressure)**

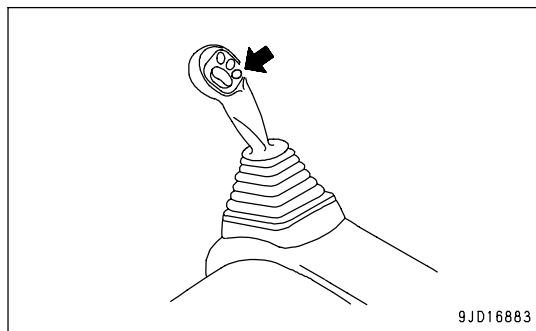
This accumulator (7) is installed to protect an oil cooler, when a breaker is used.

Consult each manufacturer of breaker to decide if an accumulator may well be installed in your machine.

**Proportional Lever****Horn Switch**

Use this switch to sound the horn.

Press the switch on the right work control lever to sound the horn.



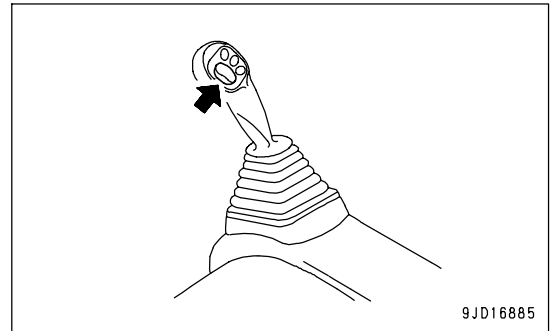
1st Attachment proportional control switch

**WARNING**

When operating attachment using rolling switch, lock the pedal with the lock pin to avoid accidental operation.

Switch operates the 1st attachment circuit (e.g. crusher).

The switch is a roller proportional control switch. Rolling the switch up produces movement of the attachment, rolling down produces opposite movement of the attachment. Slight movement of the roller will give slight movement of the attachment, full movement of the roller will give faster movement of the attachment.



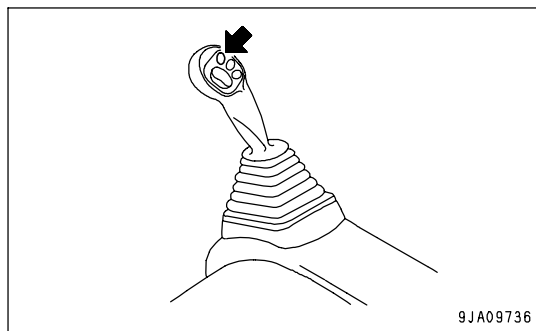
Breaker Switch

**WARNING**

When operating breaker using breaker switch, lock the pedal with the lock pin to avoid accidental operation.

Switch operates the breaker.

Press the switch to operate breaker and release to stop.

**Quick Coupler**

Quick Coupler Switch

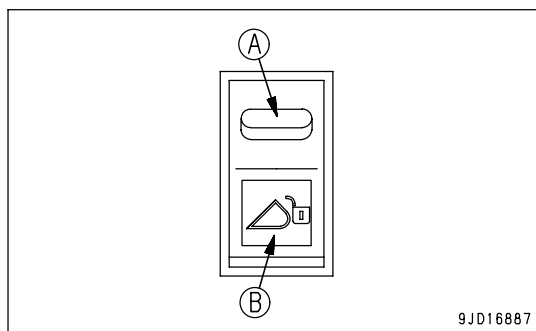
To operate the Quick Coupler switches on the LHS console and on the LH PPC lever must be operated together. Refer to "HYDAULIC QUICK COUPLER PIPING (PAGE 6-27)" for an explanation of these switches operation.

Switch is used to activate the quick coupler system.

(A):Quick coupler deactivated.

(B):Quick coupler activated.

Refer to "ATTACHMENTS AND OPTIONS" section for detailed explanation.



Battery Disconnect Switch



CAUTION

If the battery disconnect switch is turned to OFF position, always remove the switch key. If someone turns the key to ON position carelessly, this is extremely dangerous.

NOTICE

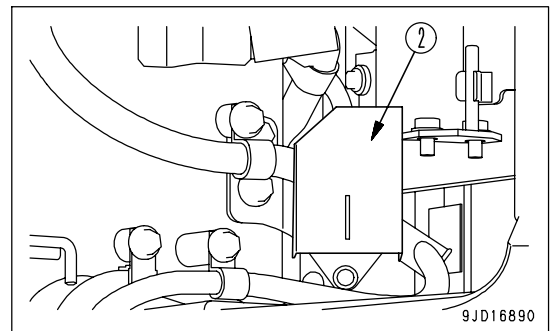
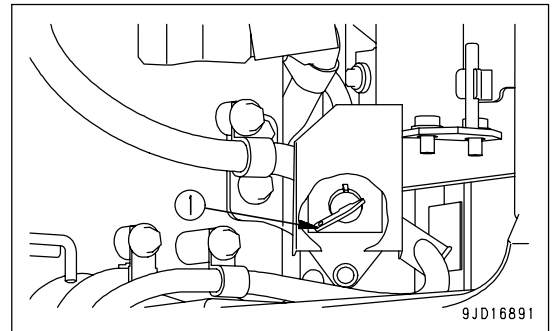
Keep this switch in ON position, except the following cases.

- When the machine is stored for a long time (more than a month)
- When the electrical system is repaired
- When an electrical welding is conducted
- When the battery is handled
- When the fuse is replaced

If this switch is turned to OFF position, all the electrical system is cut out and these functions stop. In addition, the time information of the clock and the radio tuning information may be lost. In this case, see "RADIO (PAGE 3-104)" and "Setting Correct Time (PAGE 3-107)" and set again.

This switch (1) is used for cutting out the electricity from the battery. This switch is installed inside the cover on the left side of the machine.

Raise the cover (2), and you see the switch.



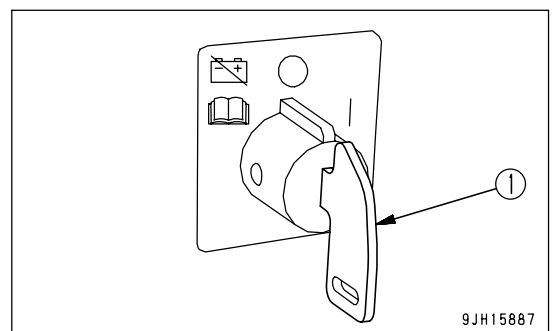
(O): OFF position

Switch key (1) can be pulled out (and inserted) and the current from the battery is cut out.

(I): ON position

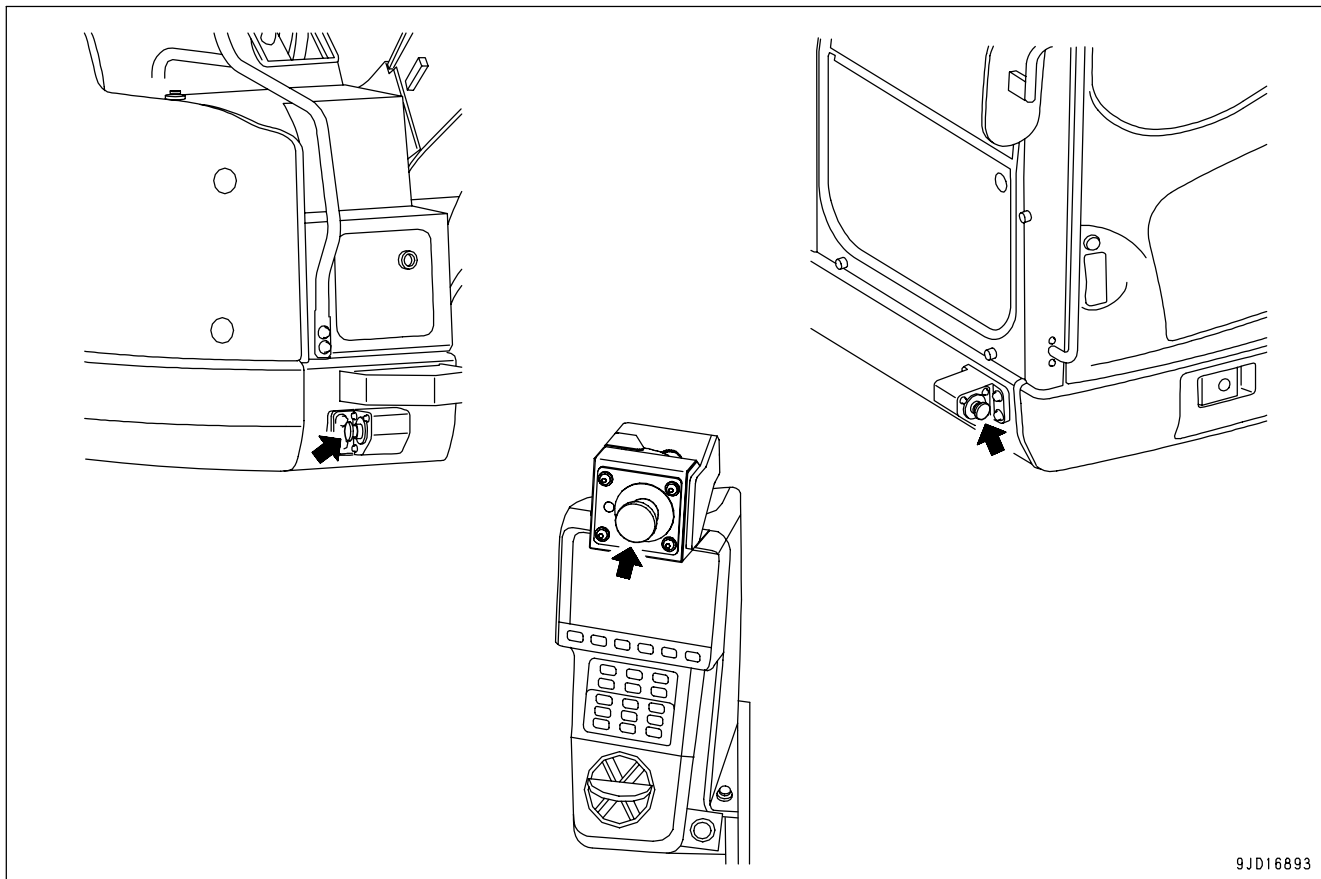
The current from the battery flows into the circuit.

Before starting the machine, be sure to set the switch to this position.



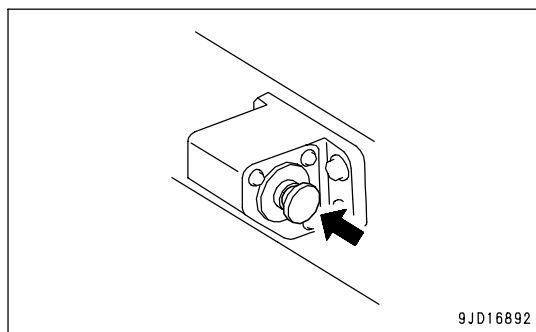
Emergency Engine Shutdown Switch

An emergency engine shutdown switch is provided in the operator's cab and 2 other spots on the machine's periphery (3 spots total). If any one of them is pressed, the engine stops. Use this switch only in emergency, and for normal starting and stopping of the engine, use the engine starting switch.



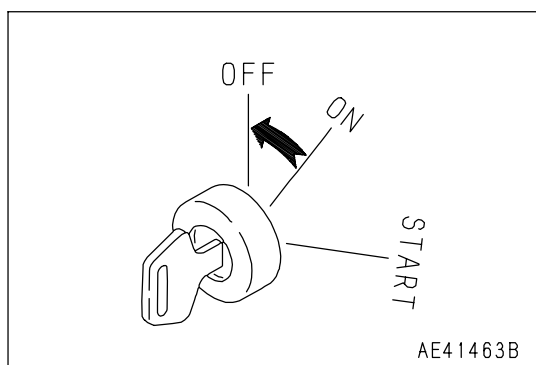
9JD16893

1. Press the nearest emergency engine shutdown switch, and the engine stops.



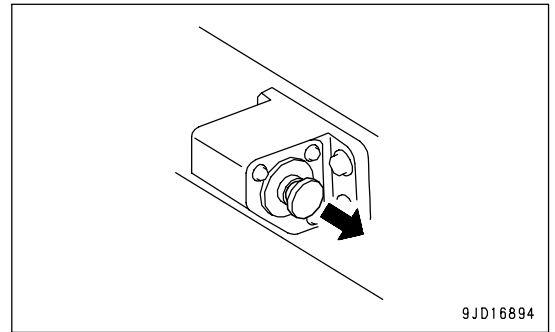
9JD16892

2. If the engine remains in a standstill for a while, turn off the engine starting switch in the operator's cab.
(If any of the lights is lit, the battery can run down.)
3. Remove the cause that necessitated the engine to stop all of sudden.



AE41463B

4. Reset the emergency engine shutdown switch by turning the button in the arrow direction (clockwise) until it comes out. Now the switch is in the emergency stop position again.
5. When starting up the engine again, use the engine starting switch.

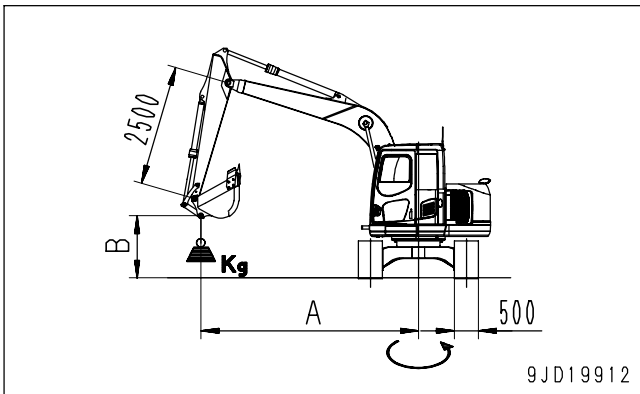


Overload Alarm Buzzer

If the load approaches the lifting limit of the machine, a warning is shown on the monitor panel and an audible alarm sounds. In this case, lower the load to the ground.

! CAUTION

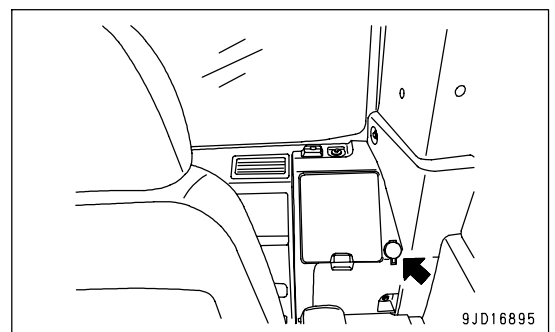
- For precautions when performing lifting operations, see "Operations with Care (PAGE 6-4)" .
- Do not perform any lifting operation with a load heavier than the specified lifting load.
- For the specified load at which the alarm buzzer sounds, measure the operation radius (A) and lifting height (B), and convert the load value according to the following table.



(A) \ (B)	6.0m (20 ft)	4.5m (15 ft)	3.0m (10 ft)
4.5m (15 ft)	1300 (2867 lb)	1480 (3263 lb)	-
3.0m (10 ft)	1400 (3087 lb)	1790 (3947 lb)	2620 (5777 lb)
1.5m (5 ft)	1550 (3418 lb)	2160 (4763 lb)	3620 (7982 lb)
0m (0 ft)	1630 (3594 lb)	2380 (5248 lb)	3950 (8489 lb)

12V Power Source

This power source can be used up to a capacity of 60W (12V x 5A).



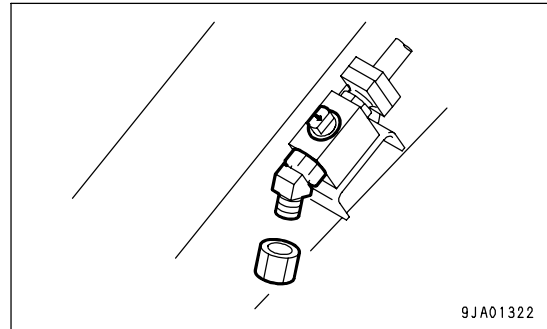
HYDRAULIC CIRCUIT

Hydraulic Circuit Connection

When connecting the attachment, connect the hydraulic circuit as follows.

One Line Attachment

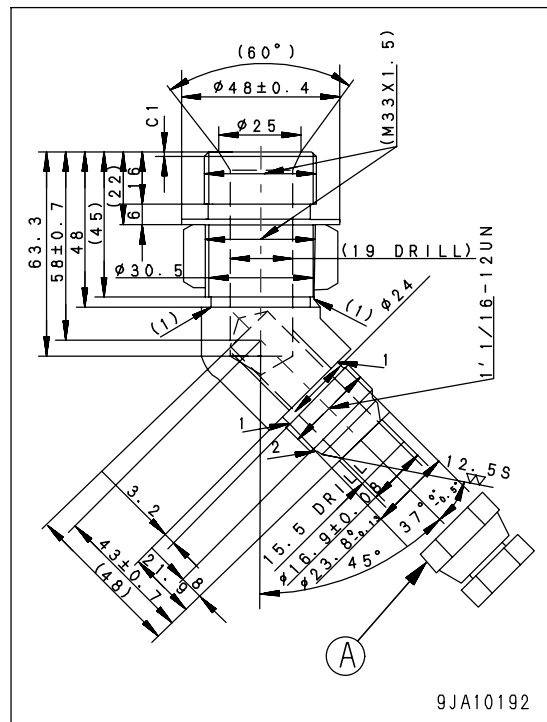
1. Check that the stop valve is at the LOCK position, then remove the plug.
Be careful not to lose or damage any part that is removed.



2. Connect the piping for the attachment provided by the attachment maker.
The dimensions on the stopper valve side are as indicated at right. For those on the attachment side, confer with each manufacturer of attachment and determine.

(A) Plug

3. After connecting the piping, bleed the air from the circuit.
 - 1) Start the engine, referring to "STARTING ENGINE (PAGE 3-137)", and run it at low idle for the subsequent 10 minutes. Then proceed to the next work.
 - 2) Run the engine at low idle until the air in the attachment circuit is completely removed, then operate the attachment pedal repeatedly (approx. 10 times) to bleed the air.



NOTICE

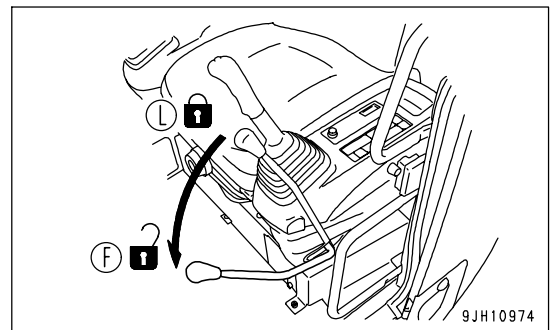
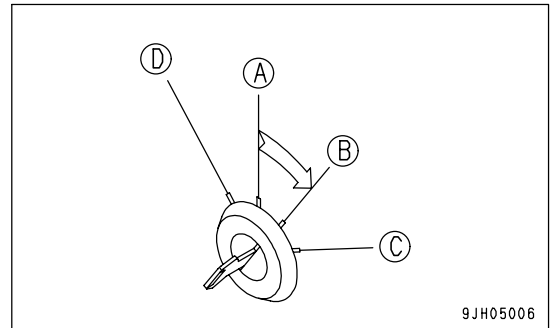
If the attachment maker specifies an air bleeding procedure for the attachment itself, follow the specified procedure to bleed the air.

- 3) After completing the bleeding of the air, stop the engine, and wait for at least 5 minutes before starting operations. This will release the bubbles in the oil inside the tank.
- 4) Check that there is no oil leakage, and wipe off any oil that has been spilled.

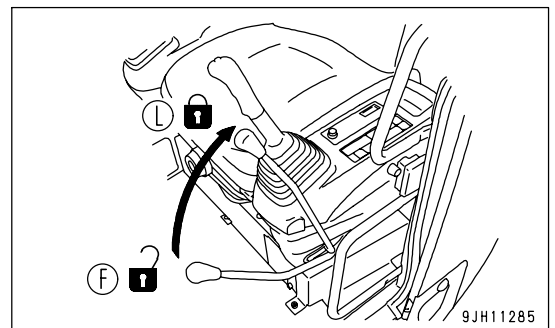
ATTACHMENT REMOVAL AND INSTALLATION

Attachment Removal

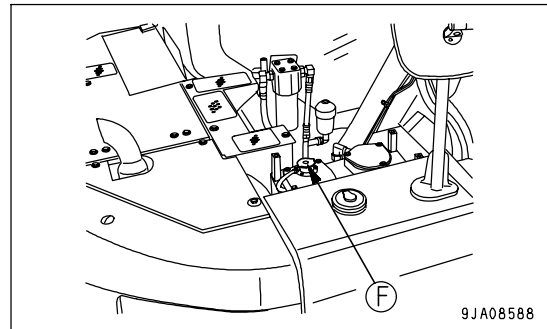
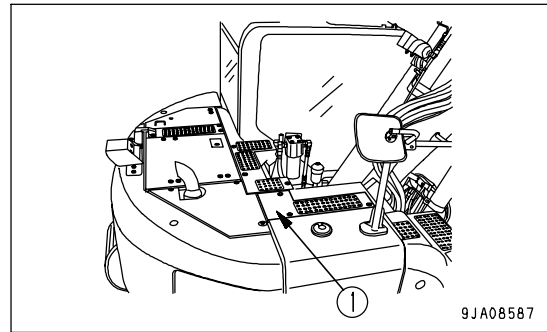
1. Lower the attachment to the ground and stop the engine.
2. Turn the starting switch to ON position (B) and push down the lock lever to FREE position(F).
3. Within 15 seconds after stopping the engine, move each control lever (for work equipment and travel) and attachment control pedal (if equipped) to the full stroke in all directions to release the internal pressure.



4. Set the lock lever to the LOCK position (L), then turn the starting switch to the OFF position (A).

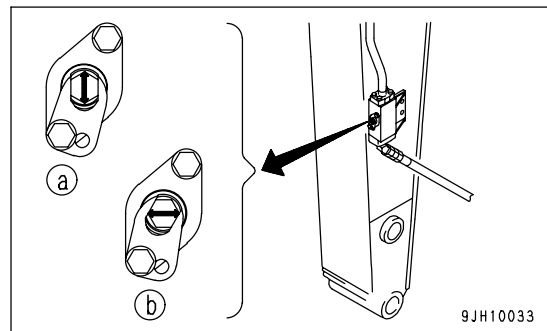


5. Remove cover (1) at the top surface of the hydraulic tank, then slowly loosen oil filler cap (F) to release the internal pressure.



6. After checking that the hydraulic oil temperature has gone down, set the rotor of the stop valve (installed to the piping for the outlet port and inlet port on the side face of the arm) to LOCK position (b).

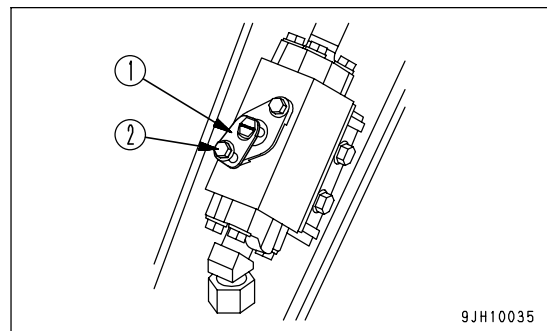
- (a) FREE: Hydraulic oil flows (direction of arrow is parallel to long direction of arm)
- (b) LOCK: Hydraulic oil does not flow (direction of arrow is at right angles to long direction of arm)



- When setting FREE or LOCK position of the stop valve rotor, remove bolt (2), turn over plate (1), then turn the rotor. After setting, install plate (1) again with bolt (2).

7. Remove the hoses on the attachment side. Install the plugs to the 2 outlets.

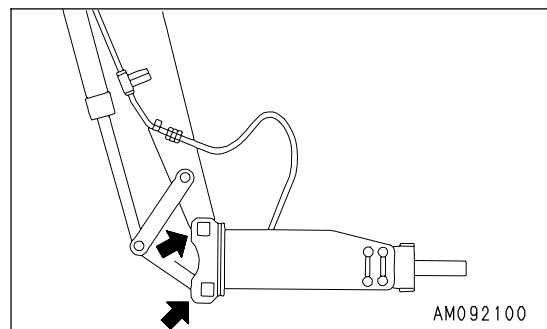
The plugs are used to prevent the attachment from incorrect operation caused by mixing in of foreign matter. After the plugs are correctly installed, store the attachment.



8. Pull out the mounting pins (2 places), remove the attachment, then install the bucket.

For details of the procedure for installing the bucket, see "BUCKET REPLACEMENT AND INVERSION (PAGE 3-174)".

9. After installing the bucket, check the oil level in the hydraulic tank.

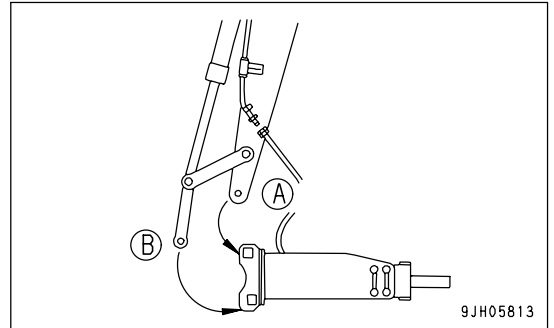


Attachment Installation

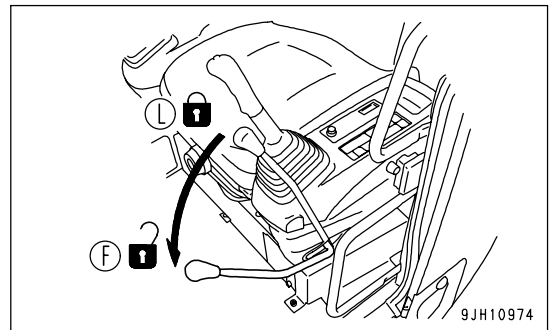
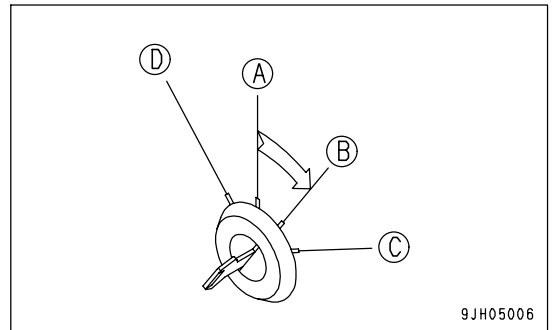
1. Remove the bucket.

For details of the procedure for removing the bucket, see "BUCKET REPLACEMENT AND INVERSION (PAGE 3-174)".

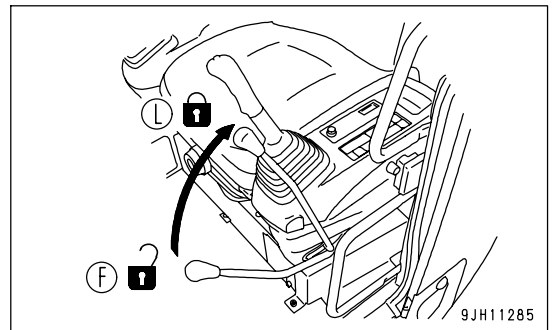
2. Place the attachment in a horizontal position, then install to the arm with pin (A) and then pin (B).



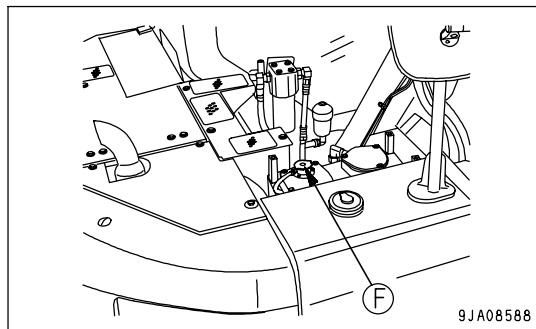
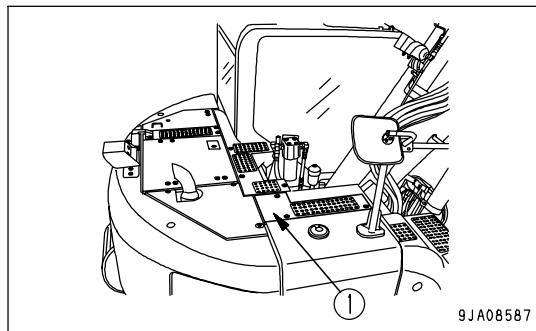
3. Turn the starting switch to ON position (B) and push down the lock lever to FREE position(F).
4. Within 15 seconds after stopping the engine, move each control lever (for work equipment and travel) and attachment control pedal (if equipped) to the full stroke in all directions to release the internal pressure.



5. Set the lock lever to the LOCK position (L), then turn the starting switch to the OFF position (A).



6. Remove cover (1) at the top surface of the hydraulic tank, then slowly loosen oil filler cap (F) to release the internal pressure.



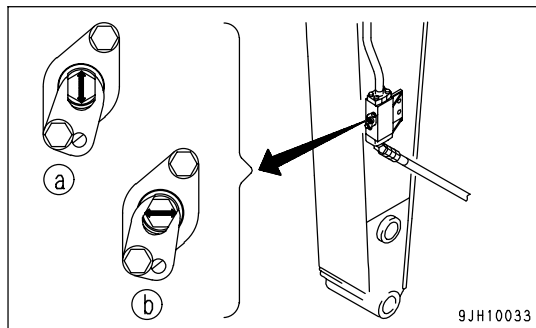
7. After checking that the oil temperature is low, remove the covers from the inlet port and outlet port (2 places). Be careful that no dirt or mud is stuck to the hose mouthpiece. If the O-ring is damaged, replace it with a new part.

8. Connect the hose at the attachment side.

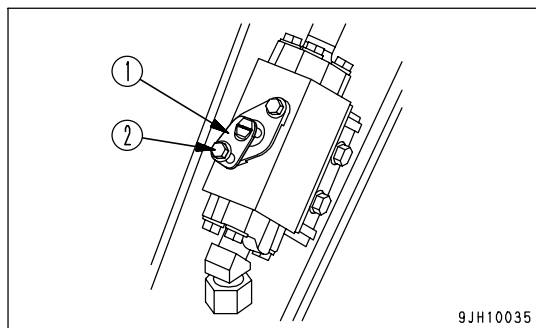
When doing this, check the direction of flow of the oil and be careful not to make any mistake.

9. Set the rotor of the stop valve installed to the inlet port on the side face of the arm and the outlet port piping to FREE position (a).

- (a) FREE: Hydraulic oil flows (direction of arrow is parallel to long direction of arm)
- (b) LOCK: Hydraulic oil does not flow (direction of arrow is at right angles to long direction of arm)



- When setting FREE or LOCK position of the stop valve rotor, remove bolt (2), turn over plate (1), then turn the rotor. After setting, install plate (1) again with bolt (2).



10. After installing the attachment, check the oil level in the hydraulic tank.

ATTACHMENT OPERATIONS



WARNING

- If the pedal is operated when the auto-deceleration is being actuated and the engine speed has dropped, the engine speed will suddenly rise, so be careful when operating.
- If you leave your foot resting on the pedal and depress the pedal by mistake, there is danger that the attachment may suddenly move and cause serious personal injury. If you do not need to operate the pedal, do not rest your foot on the pedal.
- When the attachment is not being used, set the lock pin of the pedal to LOCK position to prevent the pedal from being operated.

- When changing the oil flow setting for the breaker mode, see "Breaker/Attachment Setting (PAGE 3-43)", "Changing Breaker Mode Setting (PAGE 3-43)" for details.
- When changing the oil flow setting for the attachment mode for the crusher or other attachment, see "Breaker/Attachment Setting (PAGE 3-43)", "Changing Breaker Mode Setting (PAGE 3-43)" for details.

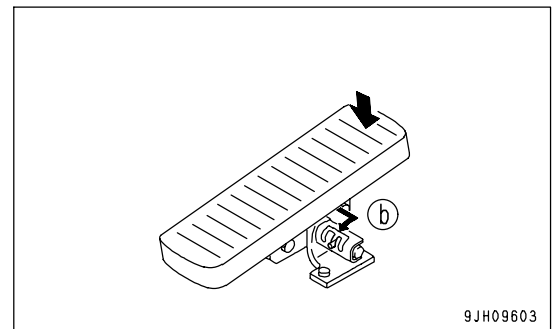
The method of operating the attachment is as follows.

When Using Breaker

NOTICE

Use the breaker mode for breaker operations. If the ATT mode is used, there is danger that the breaker may break. Note also that breaker operations are not allowed in the P, E, or L modes.

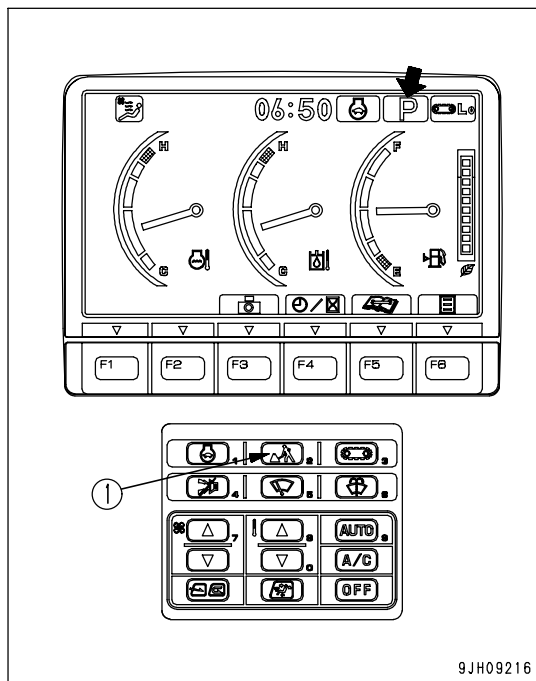
With the working mode set to B mode, insert the lock pin in front-only FREE position (b). Press the front of the pedal to operate the breaker.



9JH09603

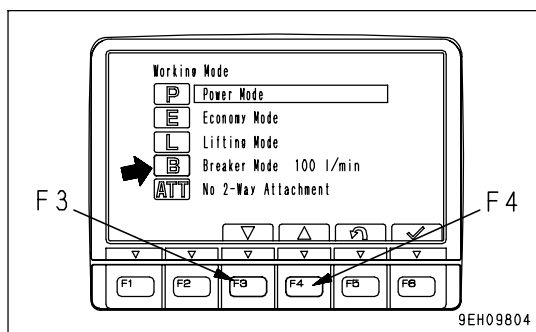
If the working mode pilot monitor does not display B for the breaker mode, press working mode selector switch (1) and set to the breaker mode as follows.

- When working mode selector switch (1) is pressed, the screen switches to the working mode selection screen.



1. Press working mode selector switch (1) or press switches F3 or F4 to select breaker mode B.
2. With breaker mode B highlighted in yellow, do one of the following to accept the selection.
 - Keep working mode selector switch (1) pressed.
 - Press switch F6.
 - Leave as it is for 5 seconds.

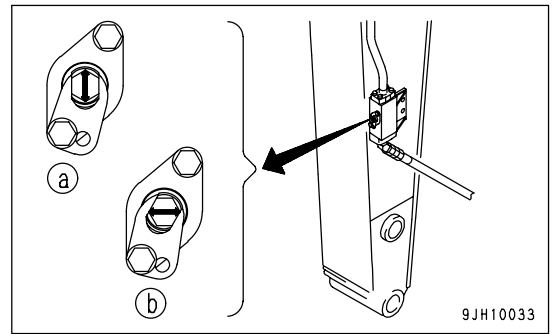
If switch F5 is pressed, the screen will return to the working mode selection screen without changing the mode to the breaker mode.



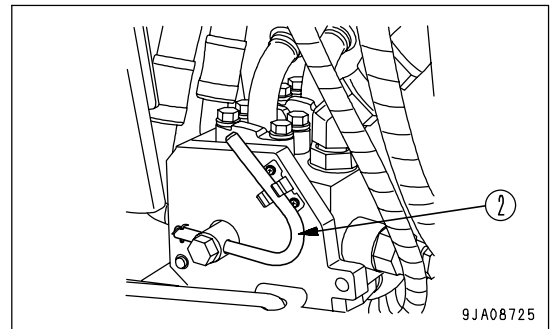
Precautions when Using

- Check that the stopper valve is in the FREE position.

- (a) FREE: Hydraulic oil flows (direction of arrow is parallel to long direction of arm)
- (b) LOCK: Hydraulic oil does not flow (direction of arrow is at right angles to long direction of arm)



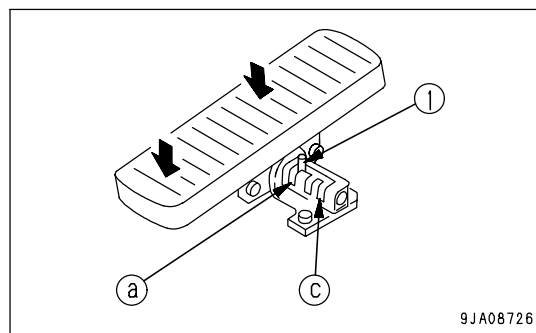
- Check that the working mode is B mode.
- Open the front right cover and check that the selector valve is in the Breaker position.
- Open the front right cover and check that the selector valve stopper bar (2) is installed at the Breaker position.



- Consult the manufacturer of the breaker to decide if an accumulator for the breaker circuit should be installed on your machine.
- For details of other precautions when handling the breaker, read and use correctly the instruction manual provided by the breaker manufacturer.
- When breaker is used, the hydraulic oil degrades faster than in normal operation. Shorten the maintenance interval of the hydraulic oil and filter element.
See "MAINTENANCE INTERVAL FOR HYDRAULIC BREAKER (PAGE 4-17)".

When Using General Attachment Such as Crusher

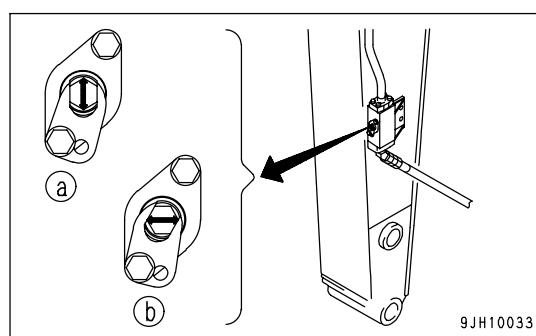
1. If the pedal is depressed with lock pin (1) set at the full stroke position (c), the attachment begins to work.
2. After the work is finished, return the lock pin to the LOCK position (a) to lock the pedal.



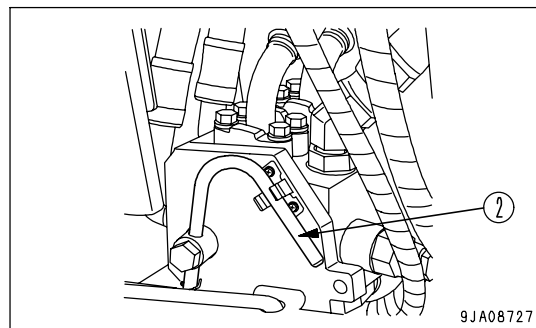
Precautions when Using

- Check that the stopper valve is in the FREE position.

- (a) FREE: Hydraulic oil flows (direction of arrow is parallel to long direction of arm)
- (b) LOCK: Hydraulic oil does not flow (direction of arrow is at right angles to long direction of arm)



- Check that the working mode is ATT mode.
- Open the front right cover and check that the selector valve is in the General Attachment position (for crusher, etc).
- Open the front right cover and check that the selector valve stopper bar (2) is installed at the General Attachment position (for crusher, etc).



- For other precautions when using the attachment, see the instruction manual provided by the attachment manufacture.

Proportional Lever

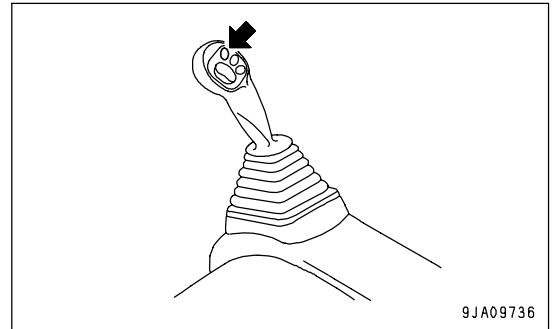
Operation When Using Breaker

NOTICE

When carrying out breaker operations, use the breaker mode. If the breaker mode is not used, the breaker may be damaged.

Breaker can be operated using either the breaker switch or attachment control pedal.

Breaker Switch - With the working mode set to B mode, press switch to operate breaker and release to stop.

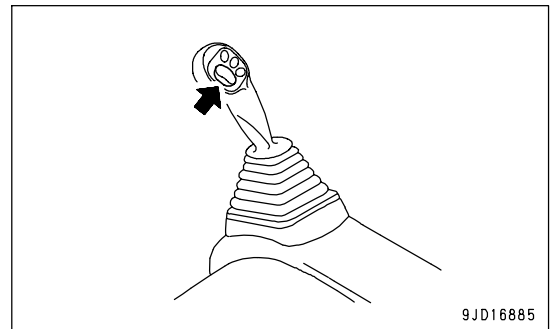


Operation When Using General Attachment 1 (e.g. Crusher)
1st Attachment proportional control switch

General attachment 1 can be operated using either the rolling switch on the right lever or right attachment control pedal.

1. Proportional Control Rolling Switch

With the working mode set to ATT mode - rolling the switch up produces movement of the attachment, rolling down produces opposite movement of the attachment. Slight movement of the roller will give slight movement of the attachment; full movement of the roller will give faster movement of the attachment.

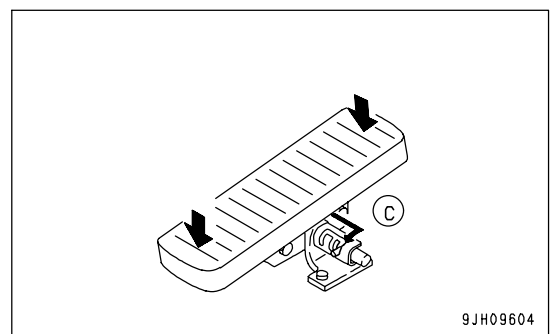


! WARNING

When operating attachment using rolling switch, lock the pedal with the lock pin to avoid accidental operation.

2. Attachmennt Control Pedal

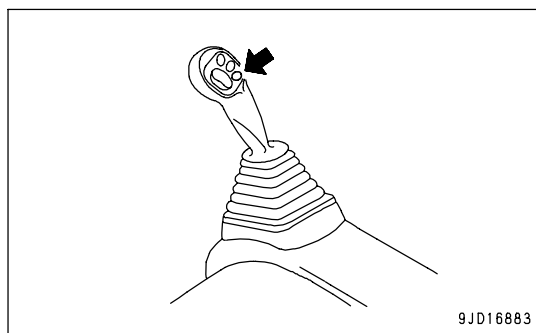
With the working mode set to ATT mode, insert the lock pin in front-and-rear FREE position (c). Press the front or rear of the pedal to operate the attachment.



Check Function of Horn

1. Turn the key in the starting switch to the ON position.
2. Confirm that the horn sounds immediately when the horn button is pressed.

If the horn does not sound, contact your Komatsu distributor for repair.



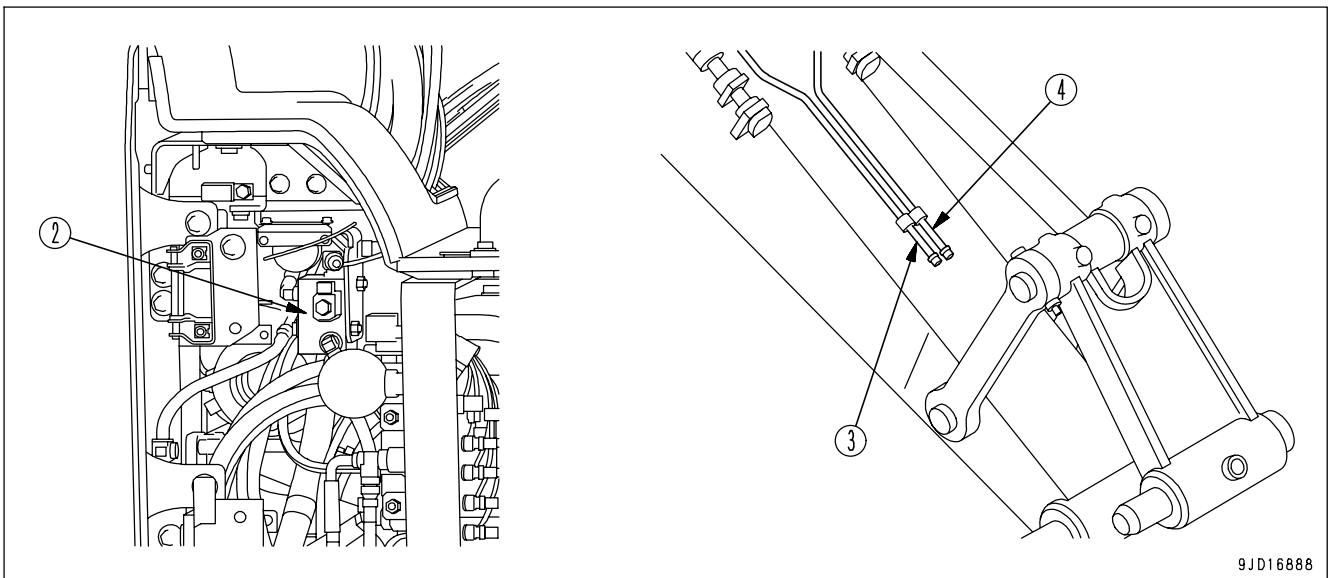
HYDAULIC QUICK COUPLER PIPING

**WARNING**

Quick coupler operation can be dangerous. There is a risk of death to exposed persons. Follow these instructions strictly.

1. Use only quick couplers which comply with European standard EN474. In particular, it must be possible to confirm from the operator's position that the locking of the attachment or bucket has been completed.
2. Use only quick couplers which include a pilot operated check valve in the locking cylinder. This is to ensure that there is no risk of the bucket or attachment coming loose in the case of loss of hydraulic pressure. If in doubt consult the manufacturer of the quick coupler.
3. Read the instruction manual of the quick coupler carefully and follow the recommendations. If in doubt about the installation or operation consult your Komatsu dealer.
4. The pressure regulation valve (2) allows the pressure at the quick coupler to be limited according to the quick coupler manufacturer's recommendation. Check the specification of the quick coupler and ensure that the valve is set appropriately.
5. Ensure that the quick coupler is installed by a suitably qualified technician. If in doubt contact your Komatsu dealer.

LOCATIONS



9JD16888

- | | |
|--|--|
| <p>(1) Switch (See following page)</p> <p>(2) Adjustable pressure regulating valve</p> | <p>(3) Piping (quick coupler lock direction)</p> <p>(4) Piping (quick coupler release direction)</p> |
|--|--|

OPERATION

To release a bucket or attachment

1. If the bucket or attachment has any hydraulic connections to the machine these must be disconnected before proceeding.

**WARNING**

Pressure in the system can cause injury. Follow all instructions in ATTACHMENT REMOVAL AND INSTALLATION.

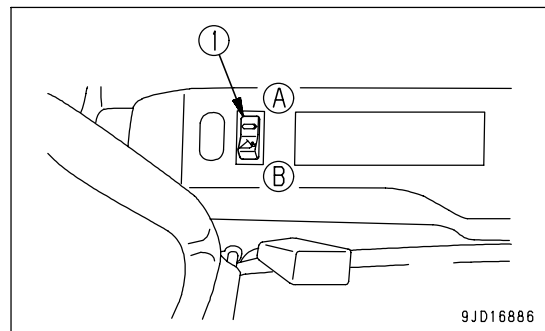
2. Position the attachment on the ground safely where it is to be left. Take care that it will not roll or slide after release.
3. Operate the quick coupler main switch (1).

NOTICE

The switch has a safety lock mechanism to prevent accidental operation. Slide the lock towards you then operate the switch. The lamp on the switch will come on and a warning buzzer will sound. (NB Operation will only take place if the quick coupler operation switch (2) is also pressed).

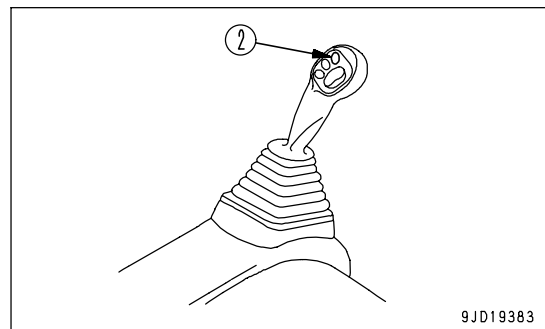
A: When depressed at this point the quick coupler deactivated [NB - LOCK bucket/attachment].

B: When depressed at this point the quick coupler is ready to be activated [NB - RELEASE bucket/attachment].



9JD16886

4. With the quick coupler main switch (1) in position "B", press and hold the quick coupler operation switch (2) on the L.H. lever to activate the quick coupler.
5. Depending on the design of the quick coupler it may be necessary to operate one of the hydraulic functions of the machine (bucket, boom, arm or swing) to raise the pressure in the hydraulic system. If using the swing function activate the Swing Lock first (See "Swing Lock Switch (PAGE 3-70)").
6. The quick coupler will now release the attachment/bucket.



9JD19383

To pick up a new bucket or attachment

1. Position the quick coupler over the new bucket or attachment.
2. Operate the quick coupler main switch (1).

NOTICE

The switch has a safety lock mechanism to prevent accidental operation. Slide the lock towards you then rock the switch. The lamp on the switch will come on and a warning buzzer will sound.

3. With the quick coupler main switch (1) in position "B", press and hold the quick coupler operation switch (2) on the L.H. lever to activate the quick coupler.
4. Depending on the design of the quick coupler it may be necessary to operate one of the hydraulic functions of the machine (bucket, boom, arm or swing) to raise the pressure in the hydraulic system. If using the swing function activate the Swing Lock first (See "Swing Lock Switch (PAGE 3-70)"). The quick coupler will move to the "released" position.

5. Position the quick coupler in the mating portion of the bucket or attachment, moving the bucket cylinder, arm and boom as necessary. Follow the quick coupler manufacturer's instructions.
6. Release the quick coupler operation switch (2). The quick coupler will lock onto the bucket or attachment, if necessary operate one of the machine control levers to raise the system pressure.
Return the quick coupler main switch (1) to position "A" (OFF). The lamp will go off and the buzzer stop.

**WARNING**

European safety standards require that it is possible to check the locked position of the quick coupler from the operator's position. Failure to check could cause the death of exposed persons. Check carefully that the locking of the quick coupler is complete and secure. Follow the manufacturer's instructions carefully, including the installation of any safety device, if required.

7. If the bucket or attachment needs connection to the hydraulic system of the machine follow all instructions in "ATTACHMENT REMOVAL AND INSTALLATION (PAGE 6-17)".

**WARNING**

Check daily that the hoses and fittings in the quick coupler piping system are in good condition. Pay particular attention to the hoses and fittings at the arm end as these can be damaged easily. In case of damage or leakage of oil stop work. Loss of oil could lead to the bucket or attachment falling and killing an exposed person. The damage or leakage must be repaired before continuing work.

This machine has a system installed to give a warning if there is a failure to maintain pressure in the quick coupler system. If the buzzer sounds in the cab make sure that the cause is clarified before continuing work. In particular check for leaks in the system. If in doubt call your Komatsu dealer.

LONG TERM STORAGE

If the equipment is not to be used for a long time, do as follows.

- Set the stop valve in LOCK condition.
- Install a plug to the valve.
Install a plug to the stopvalve.
- Set the selector valve to the position for general attachments such as the crusher.
- Set the lock pin at LOCK position.

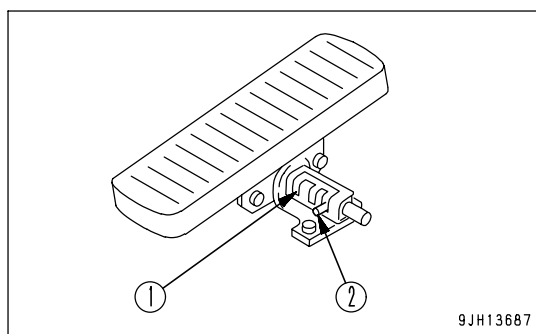
If there is no breaker or general attachment installed, operating the pedal may cause overheating and other problems.

SPECIFICATIONS

Hydraulic specifications

- Oil flow

	Lock Pin position	Oil flow (liter/min)
(1)	Pedal lock	-
(2)	Full stroke	225



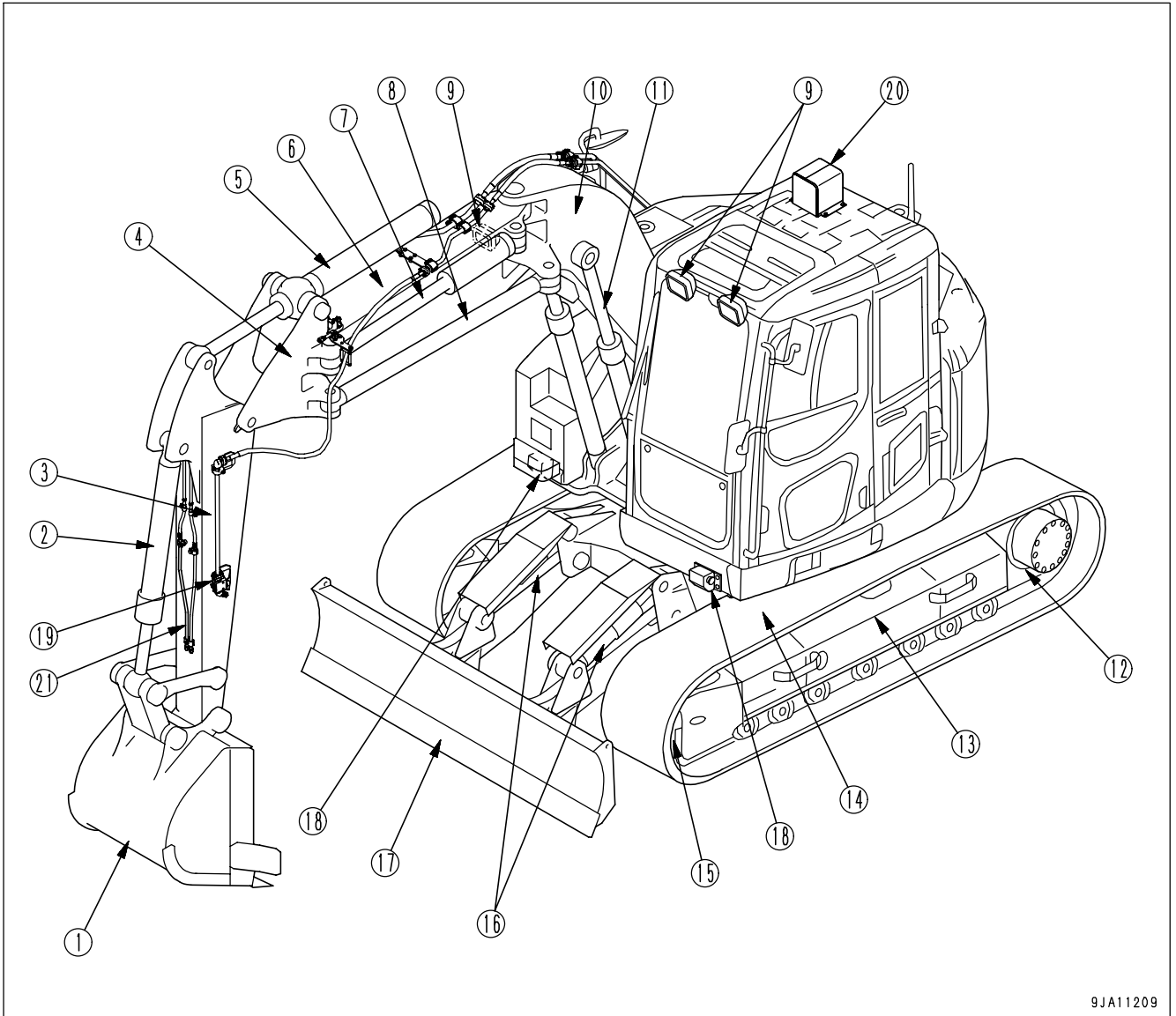
- Low pressure safety valve Cranking pressure
When using breaker: 17.17 MPa (175 kg/cm², 2490.0 PSI)
When using other attachment: 24.53 MPa (250 kg/cm², 3550.0 PSI)

HANDLING DOUBLE OFFSET BOOM

PC138US-8

MACHINE VIEW ILLUSTRATIONS

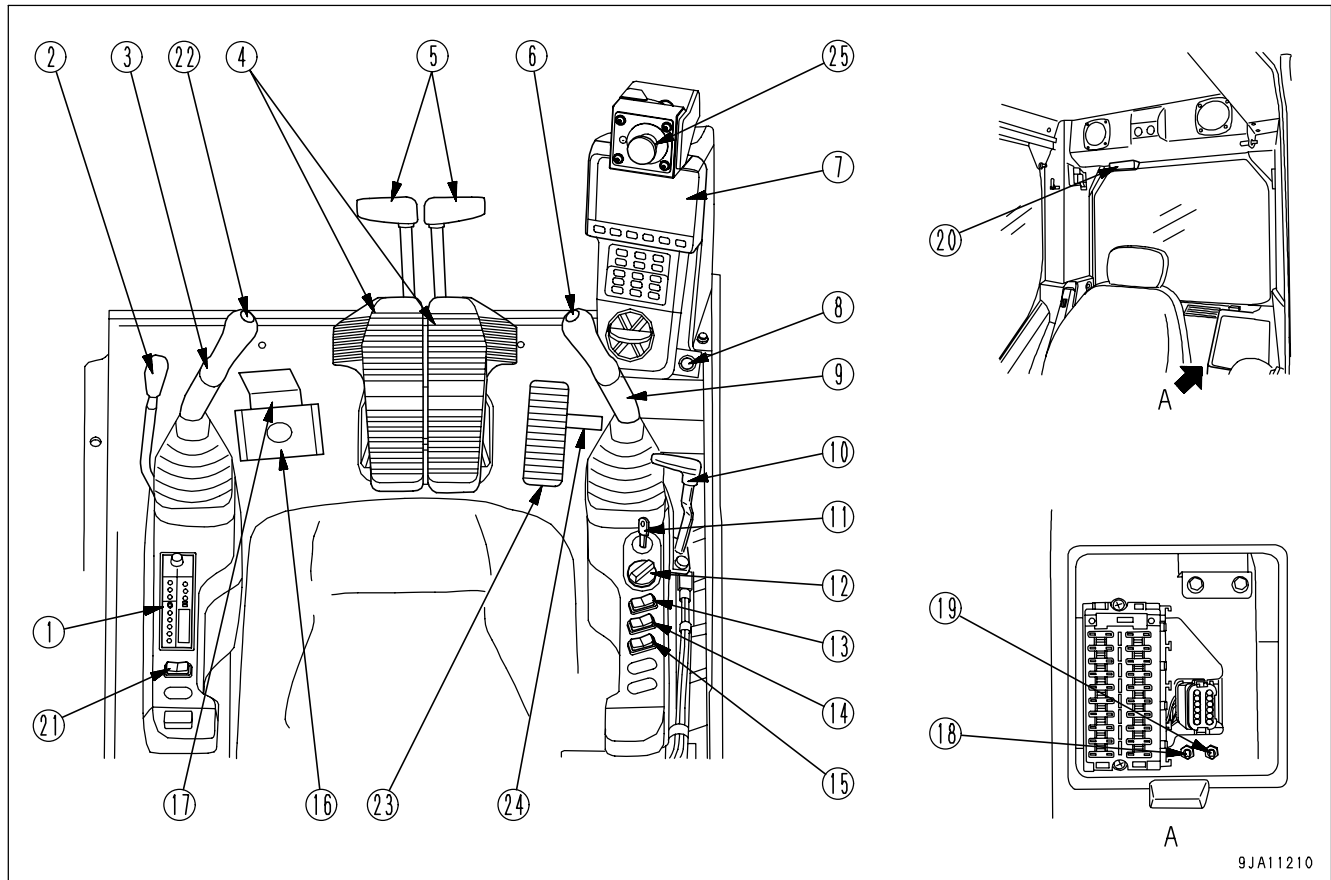
OVERALL MACHINE VIEW



9JA11209

- | | |
|--------------------------------|---|
| (1) Bucket (local procurement) | (12) Sprocket |
| (2) Bucket cylinder | (13) Track frame |
| (3) Arm | (14) Track shoe |
| (4) Third bracket | (15) Idler |
| (5) Arm cylinder | (16) Blade cylinder |
| (6) Second boom | (17) Blade |
| (7) Offset cylinder | (18) Emergency engine shutdown switch (if equipped) |
| (8) Sublink | (19) Stop valve |
| (9) Working lamp | (20) Revolving warning lamp guard (if equipped) |
| (10) First boom | (21) Quick coupler piping (if equipped) |
| (11) Boom cylinder | |

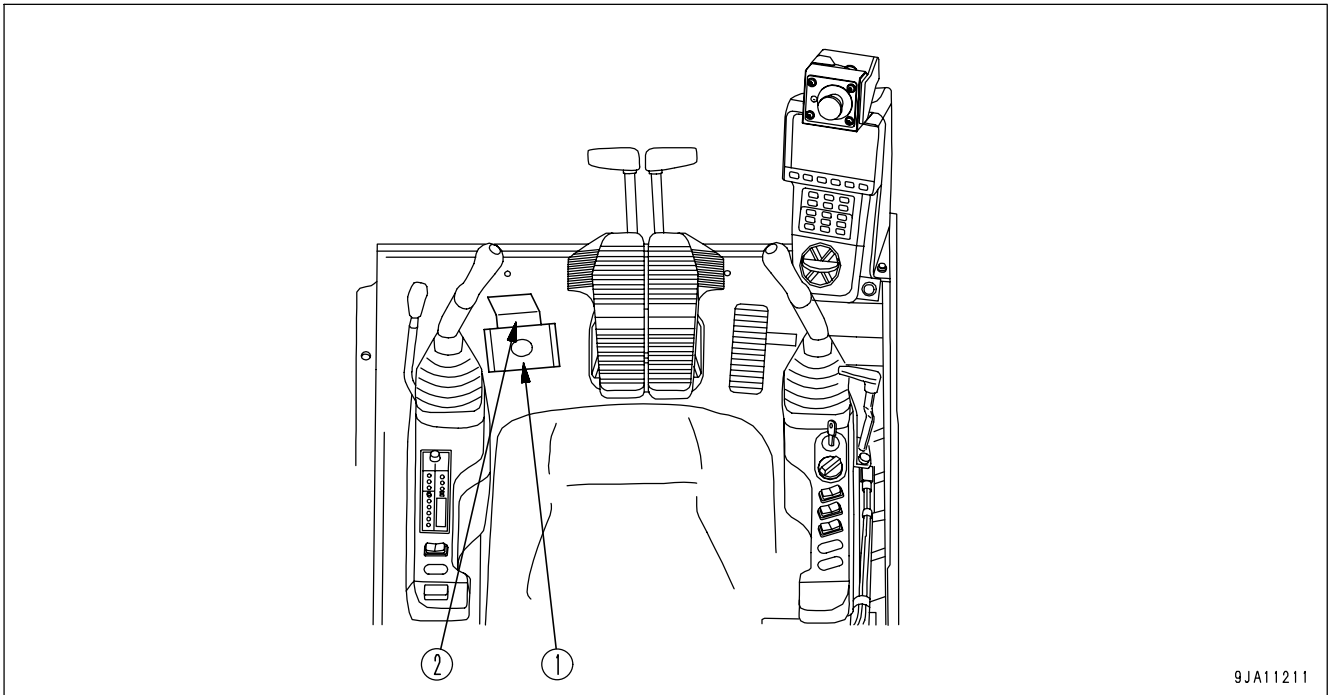
OVERALL VIEW OF CONTROLS



- | | |
|--|---|
| (1) Car radio | (14) Swing lock switch |
| (2) Lock lever | (15) Turbo timer switch (if equipped) |
| (3) Left work equipment control lever | (16) Boom offset control pedal |
| (4) Travel pedals | (17) Offset lock cover |
| (5) Travel levers | (18) Emergency pump drive switch |
| (6) Horn switch | (19) Swing parking brake release switch |
| (7) Machine monitor | (20) Room Lamp Switch |
| (8) Cigarette lighter | (21) Quick coupler switch (if equipped) |
| (9) Right work equipment control lever | (22) Quick coupler actuation switch (if equipped) |
| (10) Blade control lever (blade specification) | (23) Attachment control pedal |
| (11) Starting switch | (24) Lock pin |
| (12) Fuel control dial | (25) Emergency engine shutdown switch (if equipped) |
| (13) Lamp switch | |

DETAILED CONTROLS

CONTROL LEVERS AND PEDALS



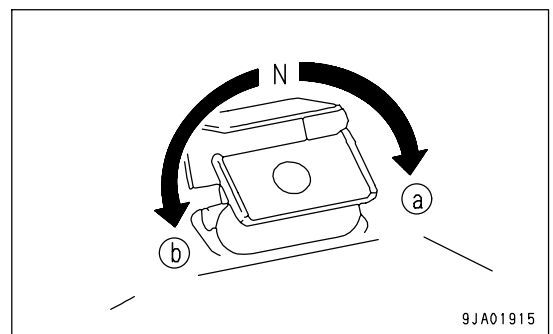
- (1) Boom offset control pedal
- (2) Offset lock cover

Boom Offset Control Pedal

This pedal (1) is to control the boom offset.

- (a) Right offset
- (b) Left offset

N (NEUTRAL): The offset boom is at standstill and held in that position.

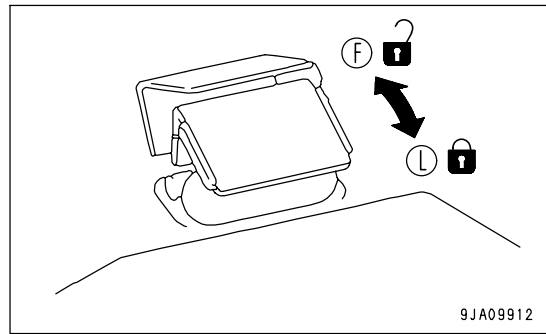


Offset Lock Cover**WARNING**

When not operating the boom offset, always keep it locked with the offset lock cover.

If the control pedal is not locked and it is touched by mistake, it may lead to a serious accident.

This device (2) is provided to lock the boom offset control pedal. The pedal is locked, when it is capped with the plate.



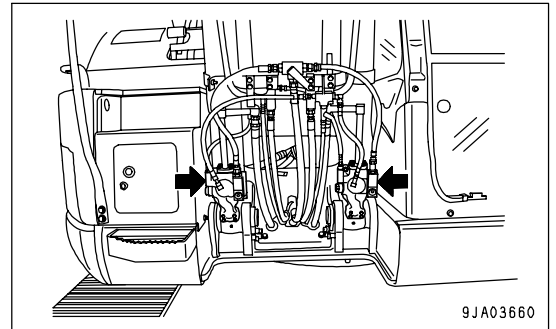
SAFETY DEVICE

This machine is provided with the following extra safety device in addition to those originally built in the main body.

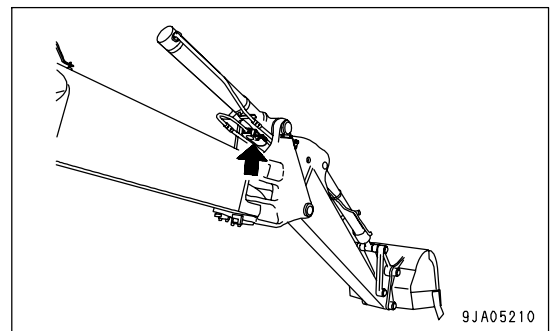
Falling Load Protective Device (Falling Load Preventive Valve)

This is a safety device to keep a lifted load from falling off in case the hose or the joint of each of the boom hydraulic cylinder, arm hydraulic cylinder and offset hydraulic cylinder is damaged.

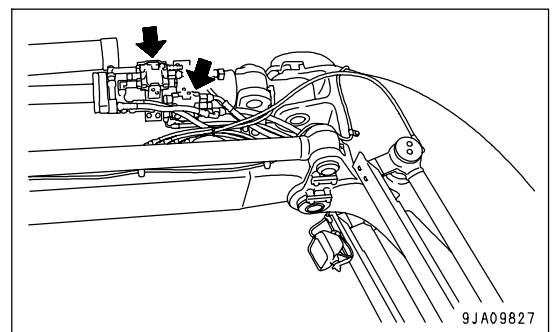
- Boom cylinder



- Arm cylinder



- Offset cylinder

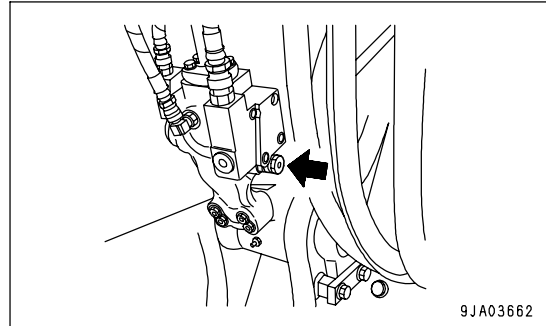


Overloading Preventive Device

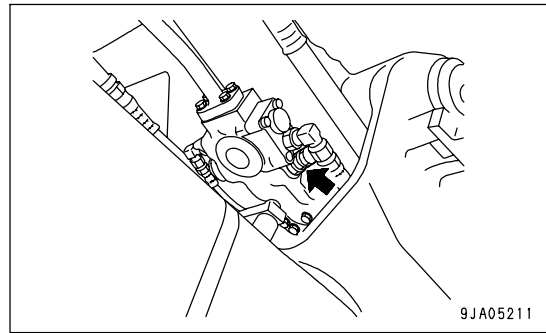
- This is a safety valve built in the falling load preventive valve.
- Depending on a type of work, excess hydraulic pressure can be caused to the hydraulic circuit in the boom RAISE and CURL operations and offsetting operations.

The valve is designed to protect the equipment in the circuit from this excess pressure.

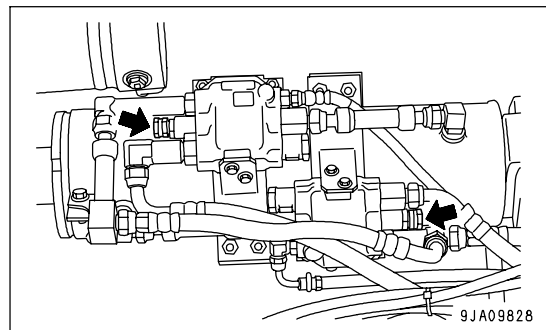
- Boom cylinder



- Arm cylinder



- Offset cylinder



MACHINE OPERATIONS AND CONTROLS

WORK EQUIPMENT CONTROLS AND OPERATIONS



WARNING

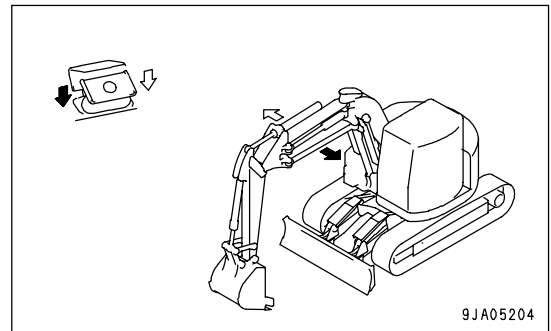
If the lever is operated when the engine speed has been lowered by the auto-deceleration function, the engine speed will suddenly rise, operate the levers carefully.

Use the control levers to operate the work equipment.

Note that when the levers are released, they return to HOLD position and the work equipment is held in that position.

- Boom offset operation

Boom offset operations can be carried out with the boom offset control pedal.

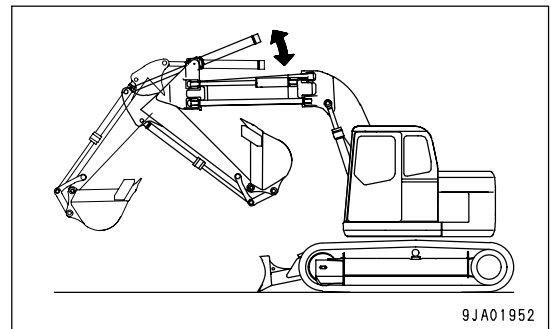


If the work equipment control levers are returned to NEUTRAL position when the machine is stopped, even if the fuel control dial is set to High idle (MAX), the auto-deceleration mechanism will act to reduce the engine speed to a mid-range speed.

GENERAL OPERATION INFORMATION

Caution For Inteferece Of Arm Cylinder With Obstacle

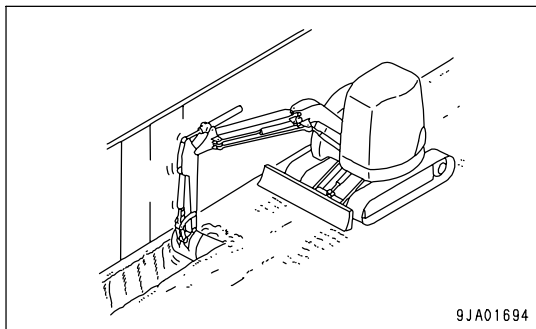
When the arm is operated, the position of the rear tip of the arm cylinder changes. Be careful not to get the wiring caught or hit anything in the surrounding area.



RECOMMENDED APPLICATIONS

Side Ditching Work

When the boom offset is used, it is possible to carry out side ditching work in confined spaces without swinging the upper works.



9JA01694

MAINTENANCE

EVERY 100 HOURS MAINTENANCE

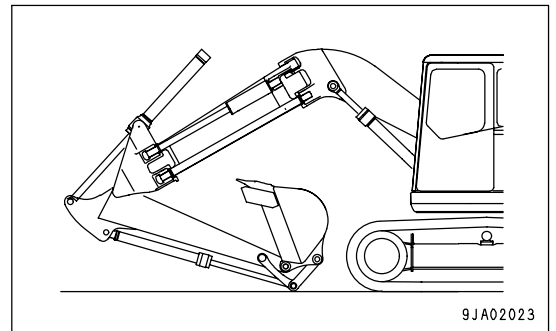
Lubricating

NOTICE

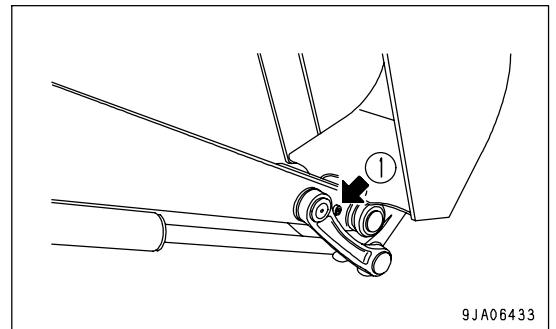
- If any abnormal noise is generated from any greasing point, perform greasing regardless of the greasing interval.
- Perform greasing every 10 hours for the first 50 hours on a new machine.
- After the machine was subjected to jobs in the water, be sure to grease the wet pins.

- Prepare a grease pump

1. Set the machine to the greasing posture shown on the right figure, lower the work equipment to the ground, then stop the engine.
2. By using a grease pump, pump in grease through the grease fittings shown by arrows.
3. After greasing, wipe off any old grease that was pushed out.



(1) Arm-Bucket coupling pin (1 place)



EVERY 500 HOURS MAINTENANCE

Maintenance for every 100 and 250 hours service should be performed at the same time.

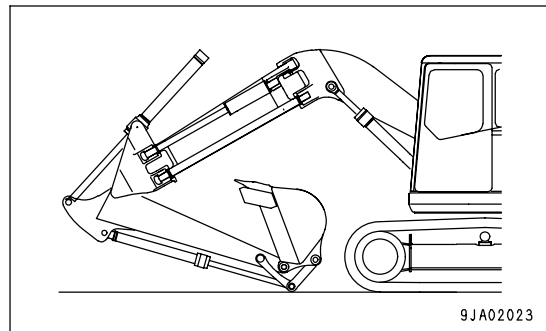
Lubricating

NOTICE

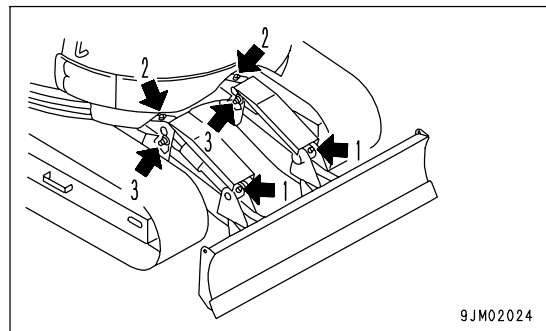
- If any abnormal noise is generated from any greasing point, perform greasing regardless of the greasing interval.
- Perform greasing every 10 hours for the first 50 hours on a new machine.
- After the machine was subjected to jobs in the water, be sure to grease the wet pins.

• Prepare a grease pump

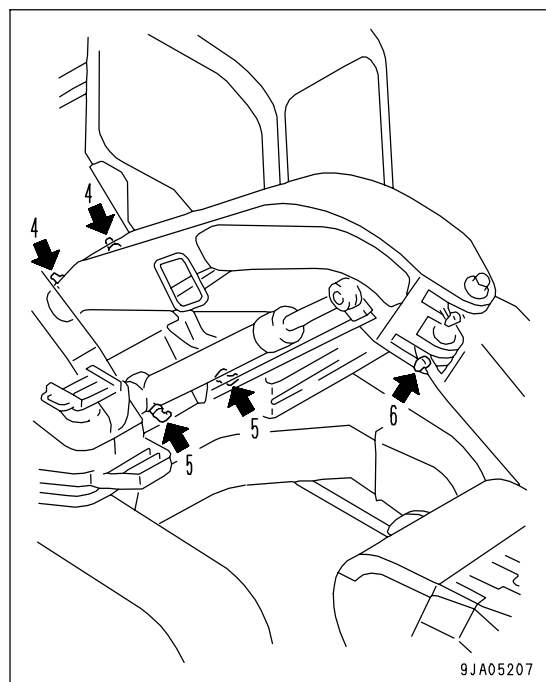
1. Set the machine to the greasing posture shown on the right figure, lower the work equipment to the ground, then stop the engine.
2. By using a grease pump, pump in grease through the grease fittings shown by arrows.
3. After greasing, wipe off any old grease that was pushed out.



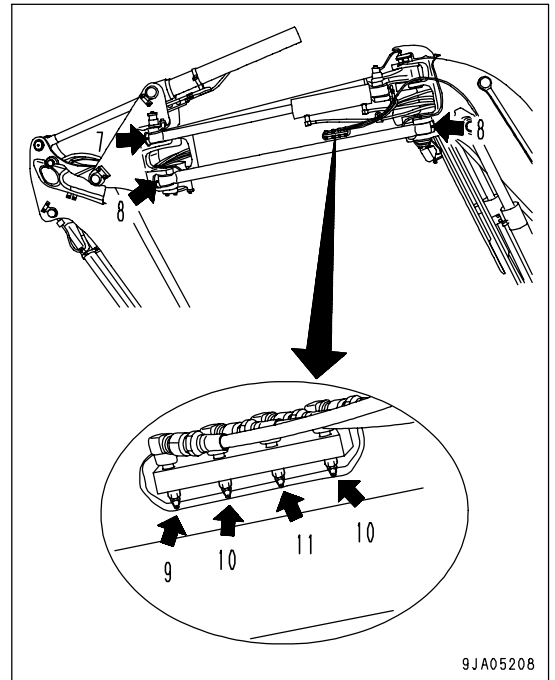
- (1) Blade cylinder foot pin (2 places)
- (2) Blade cylinder rod end pin (2 places)
- (3) Blade foot pin (2 places)



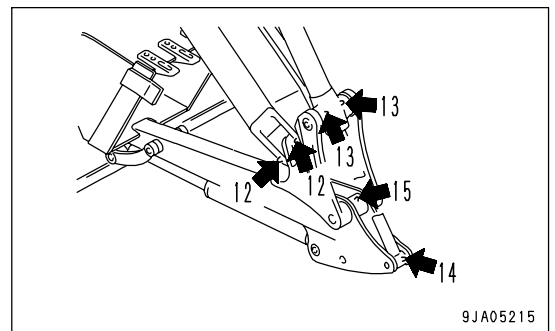
- (4) First boom foot pin (2 places)
- (5) Boom cylinder foot pin (2 place)
- (6) First boom-second boom coupling lower pin (1 place)



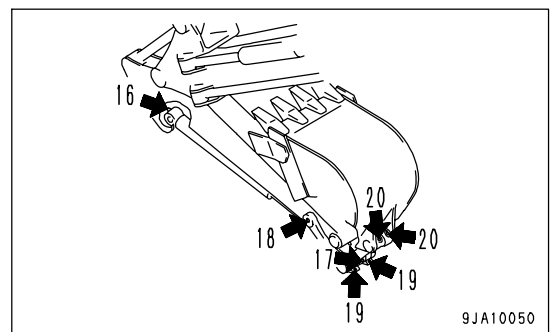
- (7) Offset cylinder rod end pin (1 place)
- (8) Sub-link coupling pin (2 places)
- (9) Offset cylinder foot pin (1 place)
- (10) Boom cylinder rod end pin (2 places)
- (11) First boom-second boom coupling upper pin (1 place)



- (12) Second boom-Third bracket coupling pin (2 places)
- (13) Arm cylinder foot pin (2 place)
- (14) Arm cylinder rod end pin (1 place)
- (15) Third bracket-Arm coupling pin (1 place)



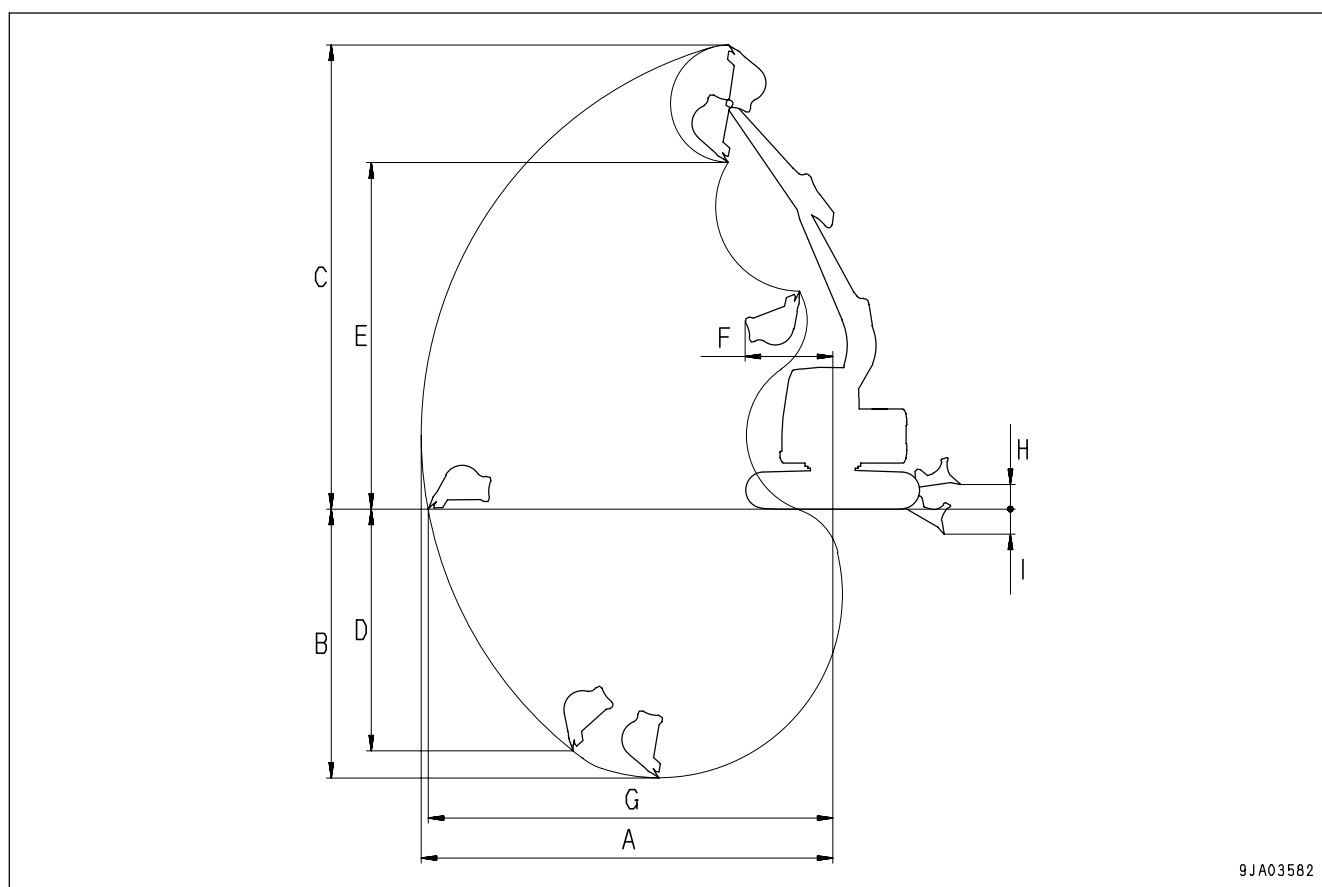
- (16) Bucket cylinder foot pin (1 place)
- (17) Bucket cylinder rod end (1 place)
- (18) Arm - Link coupling pin (1 place)
- (19) Link connecting pin (2 place)
- (20) Bucket-link connecting pin (2 places)



Lift the boom up to the max. height after greasing and then grease the first boom foot pin again (at two points).

SPECIFICATIONS

	Working ranges	Unit	PC138US-8
A	Max. digging reach	mm (ft in)	7,285 (23'11")
B	Max. digging depth	mm (ft in)	4,820 (15'10")
C	Max. digging height	mm (ft in)	8,200 (26'11")
D	Max. vertical wall digging depth	mm (ft in)	2,965 (9'9")
E	Max. dumping height	mm (ft in)	5,900 (19'4")
F	Min. swing radius of work equipment	mm (ft in)	2,220 (7'3")
G	Max. reach ground level	mm (ft in)	7,135 (23'5")
H	Max. blade lifting height	mm (ft in)	470 (1' 7")
I	Max. blade lowering depth	mm (ft in)	525 (1'9")



9JA03582

ATTACHMENT GUIDE



WARNING

- Read the instruction manual for the attachment and the sections of this manual related to attachments and options.
 - When installing any attachment or option, there may be problems with safety, so contact your Komatsu distributor before installing.
 - Installing attachments or options without consulting your Komatsu distributor may not only cause problems with safety, but may also have an adverse effect on the operation of the machine and the life of the equipment.
 - Any injuries, accidents, or damage resulting from the use of unauthorized attachments or options will not be the responsibility of Komatsu.
-

ATTACHMENT COMBINATIONS

**WARNING**

Depending on the type or combination of work equipment, there is danger that the work equipment may hit the cab or machine body.

When using unfamiliar work equipment for the first time, check before starting if there is any danger of interference, and operate with caution.

This is the combination table for attachments to install to the standard arm, short arm, or long arm.

○: Can be used

△: Can be used only for light duty work

×: Cannot be used

NOTICE

- When the long arm is equipped, if the bucket is pulled in to the machine body, the arm interferes with the body. Operate the long arm carefully.
- When the boom is fully lowered during oblique digging, the boom interferes with the undercarriage. Operate the boom carefully.

Categories of use

For general digging: Digging or loading sand, gravel, clay etc.

For light duty digging: Digging or loading dry, uncaked earth and sand, mud etc.

For loading work: Loading dry, loose earth and sand

- For digging or loading hard soil or soft rock, it is recommended that the strengthened bucket with high durability and high wear resistance be employed.

Name	Tooth mounting pin	Capacity m ³ (cu.yd) SAE/CECE	Outside width (bucket body) mm (in)	Outside width (side cutter) mm (in)	Use	Standard arm	Long arm	Short arm
Narrow bucket	Vertical	0.18/0.16 (0.24/0.21)	450 (17.7)	570 (22.5)	Narrow digging	○	○	○
Narrow bucket	Vertical Horizontal	0.29/0.26 (0.38/0.34)	600 (23.6)	720 (28.4)	Narrow digging	○	○	○
Narrow bucket	Vertical Horizontal	0.38/0.33 (0.50/0.43)	700 (27.6)	820 (32.3)	Narrow digging	○	○	○
Standard bucket	Vertical Horizontal	0.45/0.40 (0.59/0.52)	833 (32.8)	953 (37.5)	General digging	○	×	○
Reinforced bucket	Vertical Horizontal	0.50/0.45 (0.65/0.52)	859 (33.8)	979 (38.6)	Heavy-duty digging	○	×	○
Light duty bucket	Vertical Horizontal	0.50/0.45 (0.65/0.59)	859 (33.8)	979 (38.6)	General digging	○	×	△

TRACK SHOES SELECTION

Select the most suitable track shoe to match the operating conditions.

Selection

Check the category from the uses in the table below, then select the shoes from the table below that.

- Category of use B and C are the wide shoe, so there are limits on the use. Check the precautions for use, examine the conditions of use thoroughly, and use the optimum shoes for the situation.
- When selecting the shoe width, choose the narrowest shoes possible to bring the machine within the range where there is no problem regarding the machine flotation and ground contact pressure. If wider shoes than necessary are used, the load on the shoe will increase, this may cause problems such as bending of the shoe, cracking of the link, damage of the pin, and looseness of the shoe bolts.

Category	Use	Precautions when using
A	Rocky ground, riverbeds, normal soil	<ul style="list-style-type: none"> • On rough ground with large obstacles such as boulders or fallen trees, travel at low speed.
B	Normal soil, soft ground	<ul style="list-style-type: none"> • These shoes cannot be used on rough ground where there are large obstacles such as boulders or fallen trees. • Travel at high speed (Hi) only on flat ground. If it is impossible to avoid going over obstacles, travel slowly in low speed (Lo).
C	Extremely soft ground (swamp)	<ul style="list-style-type: none"> • In the case of A and B, use only in places where the machine sinks and it is impossible to travel. • These shoes cannot be used on rough ground where there are large obstacles such as boulders or fallen trees. • Travel at high speed (Hi) only on flat ground. If it is impossible to avoid going over obstacles, travel slowly in low speed (Lo).
D	Paved road surfaces	<ul style="list-style-type: none"> • Be careful when using flat shoes on slopes. They have low gradeability.
E	Paved road surfaces	<ul style="list-style-type: none"> • To protect the road liner, always follow the precautions in Section ROAD LINERS(3-180 PAGE).

	PC138US		PC138USLC	
	Specification	Category	Specification	Category
Standard	500 mm (1 ft 8 in) Triple	A	600 mm (1 ft 12 in) Triple	B
Option	600 mm (1 ft 12 in) Triple	B	500 mm (1 ft 8 in) Triple	A
Option	700 mm (2 ft 4 in) Triple	C	500 mm (1 ft 8 in) Road liner	E
Option	500 mm (1 ft 8 in) Road liner	E		

RECOMMENDED ATTACHMENT OPERATIONS

Below described are instructions which must be followed without fail when doing the work by using a hydraulic excavator equipped with an attachment.

NOTICE

Select the optimum model of attachment for a hydraulic excavator on which it is to be mounted.

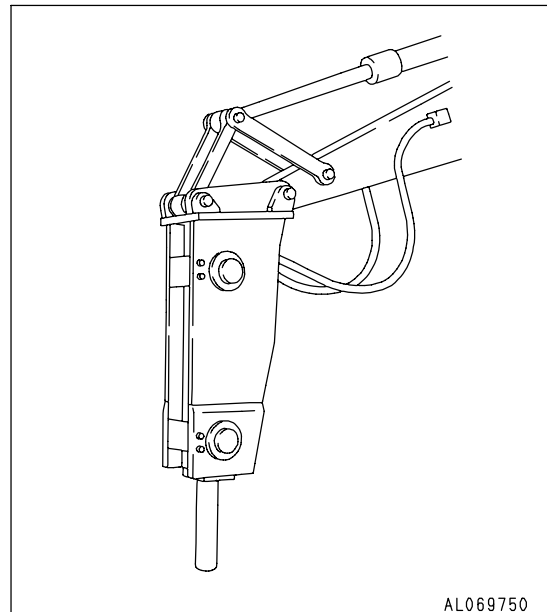
- Depending on machine models of hydraulic excavator, the kind of attachments or the model of specific attachments that can be mounted will vary. Hence, consult your Komatsu distributor for the selection of optimum attachments.

HYDRAULIC BREAKER

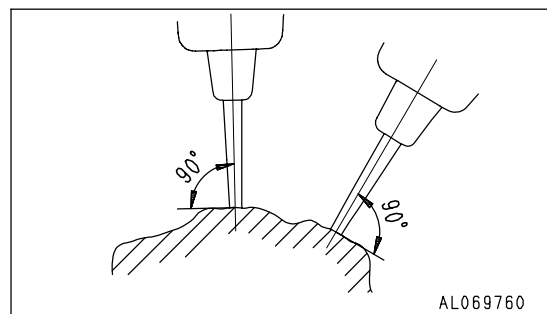
Main Applications

- Crushed rock
- Demolition work
- Road construction

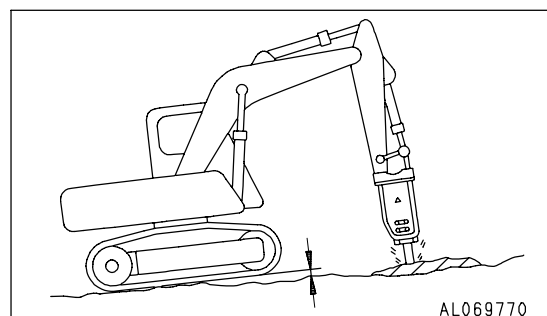
This attachment can be used for a wide range of applications including demolition of buildings, breaking up road surfaces or slag, tunnel work, rock crushing and breaking operations in quarries.



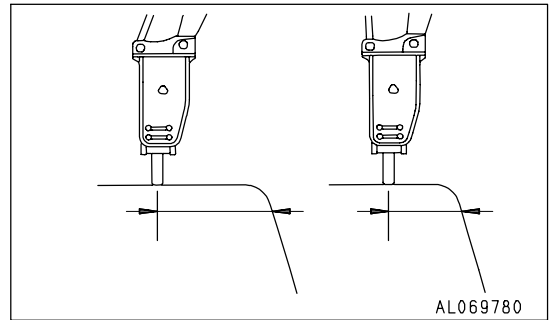
Keep the chisel pushed perpendicularly against the impact surface when performing breaking operations.



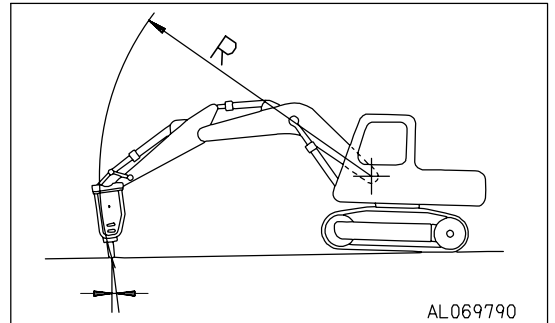
When applying impact, push the chisel against the impact surface and operate so that the chassis rises approximately 5 cm {2 in} off the ground. Do not let the machine come further off the ground than this amount.



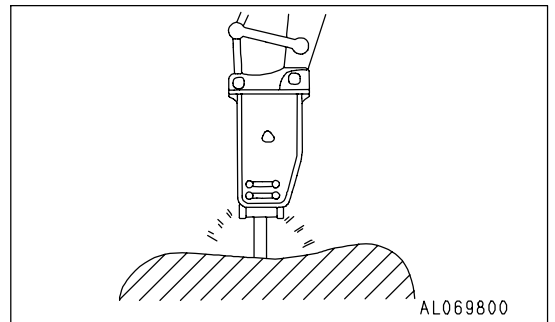
When applying continuous impact to the same impact surface, if the chisel does not penetrate or break the surface within 1 minute, change the point of impact and perform breaking operations closer to the edge.



The direction of penetration of the chisel and the direction of the breaker body will gradually move out of line with each other, always adjust the bucket cylinder to keep them aligned.



Always keep the chisel pressed against the impact surface properly to prevent by using the impact force when there is no resistance.

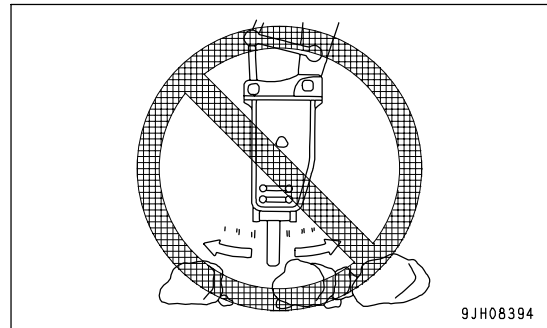


Prohibited Works

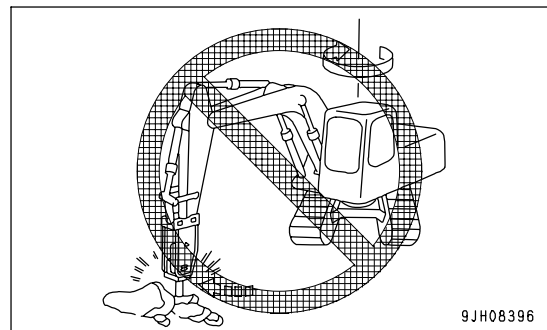
To ensure that the machine has a long life, and to ensure that operations are performed in safety, do not operate the machine in any of the following ways.

- Do not operate all cylinders to the end of their strokes. Always leave approximately 5 cm {2 in} to spare.

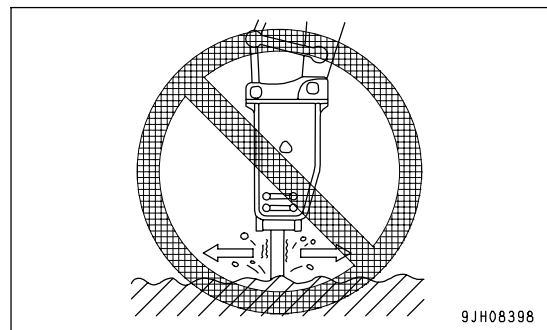
By using the mount to gather in pieces of rock



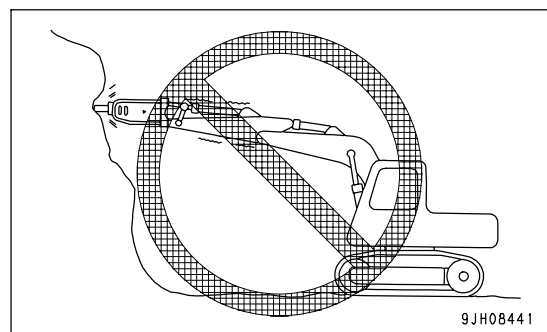
Operations using the swing force



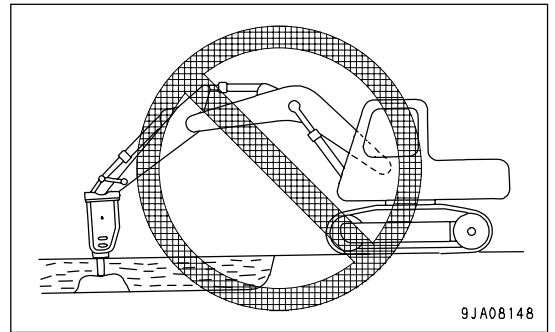
Moving the chisel while performing impacting operations



Holding the chisel horizontal or pointed up when performing impacting operations

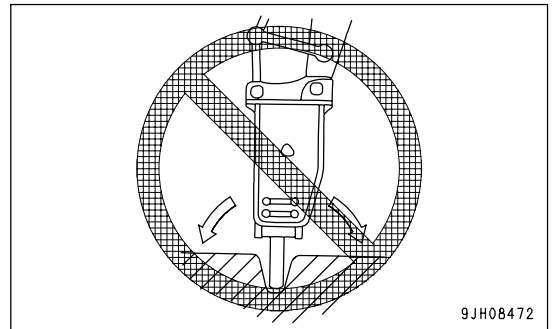


Operations in water



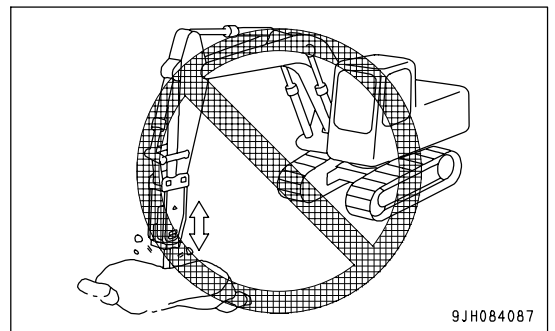
9JA08148

Twisting the chisel when it has penetrated the rock



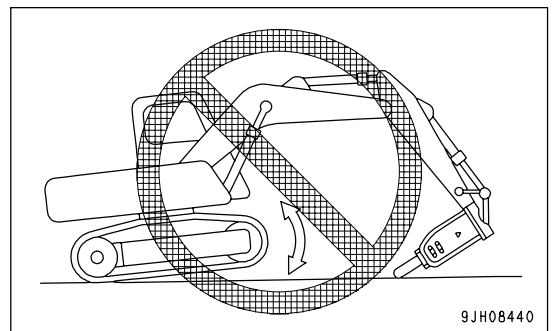
9JH08472

Pecking operations



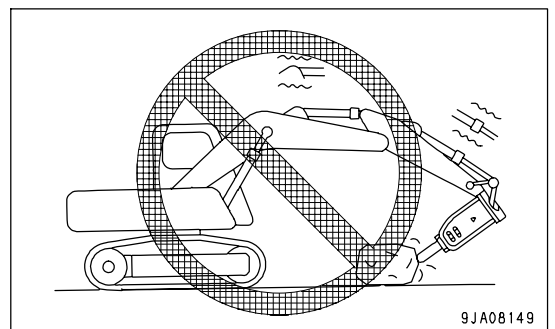
9JH084087

Extending the bucket cylinder fully and thrusting to raise the machine off the ground



9JH08440

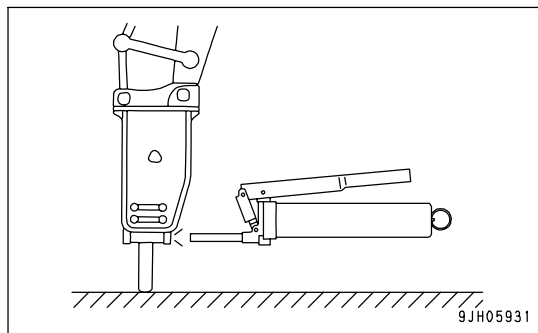
Operations using impact at end of hydraulic cylinder stroke



9JA08149

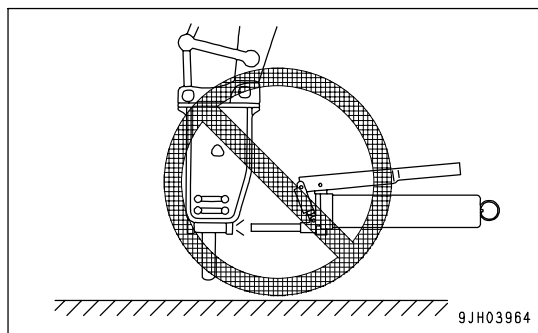
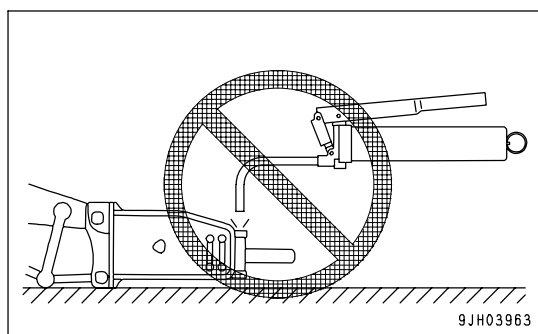
Greasing

Supply grease in the correct position.



NOTICE

If the breaker is greased in an improper posture, it is filled with more grease than necessary. As a result, soil and sand will enter the hydraulic circuit and can damage the hydraulic components, while the breaker is in use. Therefore, be sure to grease the breaker, holding it in the right posture.



HANDLING MACHINES EQUIPPED WITH KOMTRAX

- KOMTRAX is a machine management system that uses wireless communications.
- A contract with your Komatsu distributor is necessary before the KOMTRAX system can be used. Any customers desiring to use the KOMTRAX system should consult their Komatsu distributor.
- The KOMTRAX equipment is a wireless device using radio waves, so it is necessary to obtain authorization and conform to the laws of the country or territory where the machine equipped with KOMTRAX is being used. Always contact your Komatsu distributor before selling or exporting any machine equipped with KOMTRAX.
- When selling or exporting the machine or at other times when your Komatsu distributor considers it necessary, it may be necessary for your Komatsu distributor to remove the KOMTRAX equipment or to perform action to stop communications.
- If you do not obey the above precautions, neither Komatsu nor your Komatsu distributor can take any responsibility for any problem that is caused or for any loss that results.

BASIC PRECAUTIONS



WARNING

- Never disassemble, repair, modify, or move the communications terminal, antenna, or cables. This may cause failure or fire on the KOMTRAX equipment or the machine itself. (Your Komatsu distributor will perform removal and installation of KOMTRAX.)
- Do not allow cables or cords to become caught; do not damage or pull cables or cords by force. Short circuits or open circuit wires may cause failure or fire on the KOMTRAX equipment or the machine itself.
- Near the blasting jobsite, there may be a danger of unexpected explosion due to use of interactive wireless communication device of KOMTRAX and resulting serious personal injury. Make sure to operate the machine away from the blasting jobsite. If you have to operate the machine within 12 m {39 ft 4 in} from the blasting jobsite or the remote blasting device, ask your Komatsu distributor to disconnect power source cable of KOMTRAX in advance.
If there are any restriction or law of the territory or country where the machine equipped with this device is used, such restriction or law has a priority than this warning.

NOTICE

- Even when the key in the starting switch of the KOMTRAX system is at OFF position, a small amount of electric power is consumed. When putting the machine into long-term storage, take the action given in "LONG TERM STORAGE (PAGE 3-195)".
- Contact your Komatsu distributor before installing a top guard or other attachment that covers the cab roof.
- Be careful not to get water on the communications terminal or wiring.
- When using the battery disconnect switch, turn the starting switch to OFF position first, and turn the battery disconnect switch key to OFF position. Then, remove the key.
When the battery disconnect switch is turned to OFF position, it is possible to prevent power consumption of the battery, but the functions of KOMTRAX stop at the same time.
For handling of the battery disconnect device, see "Battery Disconnect Switch (PAGE 6-13)".

REMARK

- The KOMTRAX system uses wireless communications, so it cannot be used inside tunnels, underground, inside buildings, or in mountain areas where radio waves cannot be received. Even when the machine is outside, it cannot be used in areas where the radio signal is weak or in areas outside the wireless communication service area.
- There is absolutely no need to inspect or operate the KOMTRAX communications terminal, but if any abnormality is found, consult your Komatsu distributor.

INDEX

<A>		<F>	
AFTER STARTING ENGINE	3-142	FIRE EXTINGUISHER	3-114
AIR CONDITIONER CONTROLS	3- 91	FUSE	3-109
ASHTRAY	3-114	FUSIBLE LINK	3-110
ATTACHMENT GUIDE	6- 43	<G>	
ATTACHMENT COMBINATIONS	6- 44	GENERAL OPERATION INFORMATION---	3-166
TRACK SHOES SELECTION	6- 45	GENERAL PRECAUTIONS COMMON	
ATTACHMENTS AND OPTIONS -		TO OPERATION AND MAINTENANCE ----	2- 15
GENERAL INFORMATION	6- 2	DO NOT GET CAUGHT IN WORK	
ATTACHMENT INSTALLATION	6- 3	EQUIPMENT	2- 20
SAFETY FIRST	6- 2	FIRE PREVENTION	2- 17
AUXILIARY ELECTRIC POWER	3-111	PRECAUTIONS BEFORE STARTING	
		OPERATION	2- 15
BEFORE READING THIS MANUAL	1- 2	PRECAUTIONS RELATED TO	
BEFORE STARTING ENGINE	3-115	ATTACHMENTS AND OPTIONS	2- 21
BUCKET REPLACEMENT AND		PRECAUTIONS RELATED TO CAB	
INVERSION	3-174	GLASS	2- 21
BUCKET WITH HOOK	6- 4	PRECAUTIONS RELATED TO	
HOOK CONDITION	6- 4	PROTECTIVE STRUCTURES	2- 20
PROHIBITED OPERATIONS	6- 4	PRECAUTIONS WHEN GETTING ON	
<C>		OR OFF MACHINE	2- 18
CAB REAR COVER	3- 88	PRECAUTIONS WHEN RUNNING	
CAP WITH LOCK	3- 86	ENGINE INSIDE BUILDING	2- 22
COLD WEATHER OPERATION	3-192	PREPARATIONS FOR SAFE	
AFTER COLD WEATHER SEASON ----	3-194	OPERATION	2- 15
AFTER DAILY WORK COMPLETION ----	3-194	PROTECTION AGAINST FALLING,	
COLD WEATHER OPERATION		FLYING, INTRUDING OBJECTS	2- 21
INFORMATION	3-192	UNAUTHORIZED MODIFICATION	2- 21
CONTROL LEVERS AND PEDALS	3- 73	GREASE PUMP HOLDER	3-113
CONTROLLERS	3-112	<H>	
CONTROLS AND GAUGES	3- 3	HANDLING DOUBLE OFFSET BOOM ----	6- 31
CUP HOLDER	3-113	DETAILED CONTROLS	6- 33
<D>		MACHINE OPERATIONS AND	
DETAILED CONTROLS AND GAUGES ----	3- 5	CONTROLS	6- 37
DIRECTIONS OF MACHINE	1- 4	MACHINE VIEW ILLUSTRATIONS	6- 31
DOOR AT FRONT OF TOOL BOX	3- 90	MAINTENANCE	6- 39
<E>		SPECIFICATIONS	6- 42
ELECTRIC SYSTEM MAINTENANCE	4- 7	HANDLING MACHINES EQUIPPED	
EMERGENCY ESCAPE HAMMER	3- 85	WITH KOMTRAX	6- 51
ENGINE HOOD	3- 87	BASIC PRECAUTIONS	6- 51
ENGINE SERIAL NUMBER PLATE	1- 5	HANDLING OIL, FUEL, COOLANT, AND	
ESCAPE FROM MUD	3-171	PERFORMING OIL CLINIC	4- 4
<I>		<I>	
		INTRODUCTION	1- 4

<L>		<O>	
LIFTING MACHINE -----	3-190	OPERATION MANUAL STORAGE -----	3-113
LOADING AND UNLOADING WITH TRAILER -----	3-183	OUTLINE OF SERVICE -----	4- 4
LOCKING -----	3-179	<P>	
LONG TERM STORAGE -----	3-195	PARKING MACHINE -----	3-177
AFTER STORAGE -----	3-196	PRECAUTIONS FOR MAINTENANCE -----	2- 38
BEFORE STORAGE -----	3-195	PRECAUTIONS BEFORE STARTING INSPECTION AND MAINTENANCE -----	2- 38
DURING STORAGE -----	3-196	PRECAUTIONS FOR INSPECTION AND MAINTENANCE -----	2- 42
STARTING MACHINE AFTER LONG-TERM STORAGE -----	3-196	PRECAUTIONS FOR OPERATION -----	2- 23
<M>		LIFTING OBJECTS WITH BUCKET -----	2- 37
MACHINE INSPECTION AFTER DAILY WORK -----	3-178	OPERATION -----	2- 27
MACHINE OPERATION -----	3-154	PRECAUTIONS FOR JOBSITE -----	2- 23
MACHINE OPERATIONS AND CONTROLS -----	3-115	STARTING ENGINE -----	2- 25
MACHINE READY FOR ATTACHMENT ----	6- 5	TOWING -----	2- 36
ATTACHMENT OPERATIONS -----	6- 21	TRANSPORTATION -----	2- 35
HYDRAULIC CIRCUIT -----	6- 16	PRODUCT IDENTIFICATION NUMBER (PIN)/MACHINE SERIAL NO. PLATE -----	1- 5
LOCATIONS -----	6- 5	PRODUCT INFORMATION -----	1- 5
LONG TERM STORAGE -----	6- 30	PROHIBITED OPERATIONS -----	3-164
SPECIFICATIONS -----	6- 30	PUMP ROOM DOOR, BATTERY ROOM DOOR -----	3- 89
MACHINE VIEW ILLUSTRATIONS -----	3- 2	<R>	
OVERALL MACHINE VIEW -----	3- 2	RADIO -----	3-104
MAINTENANCE INFORMATION -----	4- 2	RECOMMENDED APPLICATIONS -----	3-172
MAINTENANCE PROCEDURE -----	4- 18	RECOMMENDED ATTACHMENT OPERATIONS -----	6- 46
CHECK BEFORE STARTING -----	4- 48	HYDRAULIC BREAKER -----	6- 46
EVERY 100 HOURS MAINTENANCE ---	4- 49	RECOMMENDED FUEL, COOLANT, AND LUBRICANT -----	4- 9
EVERY 1000 HOURS MAINTENANCE -----	4- 68	RECOMMENDED BRANDS, RECOMMENDED QUALITY FOR PRODUCTS OTHER THAN KOMATSU GENUINE OIL -----	4- 11
EVERY 2000 HOURS MAINTENANCE -----	4- 74	USE OF FUEL, COOLANT AND LUBRICANTS ACCORDING TO AMBIENT TEMPERATURE -----	4- 10
EVERY 250 HOURS MAINTENANCE ---	4- 51	ROAD LINERS -----	3-180
EVERY 4000 HOURS MAINTENANCE -----	4- 78	<S>	
EVERY 500 HOURS MAINTENANCE ---	4- 59	SAFETY -----	2- 2
EVERY 5000 HOURS MAINTENANCE -----	4- 80	SAFETY CRITICAL PARTS -----	4- 13
EVERY 8000 HOURS MAINTENANCE -----	4- 82	SAFETY CRITICAL PARTS LIST -----	4- 13
WHEN REQUIRED -----	4- 18	SAFETY INFORMATION -----	1- 3
MAINTENANCE SCHEDULE -----	4- 15	SAFETY LABELS -----	2- 5
MAINTENANCE INTERVAL FOR HYDRAULIC BREAKER -----	4- 17	LOCATION OF SAFETY LABELS -----	2- 6
MAINTENANCE SCHEDULE CHART ----	4- 15	SAFETY LABELS -----	2- 7
MONITORING SYSTEM -----	3- 5		

INDEX

SERVICE METER LOCATION	1- 6
SLIDING DOOR	3- 84
SPECIFICATIONS	5- 2
STARTING ENGINE	3-137
STEERING THE MACHINE	3-158
STOPPING THE ENGINE	3-153
SUN ROOF	3- 77
SWINGING	3-160
SWITCHES	3- 68

<T>

TIGHTENING TORQUE LIST	4- 12
TIGHTENING TORQUE SPECIFICATIONS	4- 12
TOOL BOX	3-113
TRANSPORTATION	3-182
TRANSPORTATION PROCEDURE	3-182
TRAVELING ON SLOPES	3-169
TROUBLES AND ACTIONS	3-197
DISCHARGED BATTERY	3-201
LIGHTWEIGHT TOWING HOOK	3-200
OTHER TROUBLE	3-206
PHENOMENA THAT ARE NOT FAILURES	3-198
RUNNING OUT OF FUEL	3-197
SEVERE JOB CONDITION	3-200
TOWING THE MACHINE	3-199

<U>

USE OF MACHINE	1- 4
----------------------	------

<V>

VISIBILITY FROM OPERATOR'S SEAT ---	1- 4
-------------------------------------	------

<W>

WEAR PARTS	4- 8
WEAR PARTS LIST	4- 8
WINDSHIELD	3- 78
WORK EQUIPMENT CONTROLS AND OPERATIONS	3-161
WORKING MODE	3-163

<Y>

YOUR MACHINE SERIAL NUMBERS AND DISTRIBUTOR	1- 6
--	------

PC138US-8, PC138USLC-8 HYDRAULIC EXCAVATOR

Form No. TEN00548-03

©2015 KOMATSU
All Rights Reserved
Printed in Japan 12-15
